

LINEAR

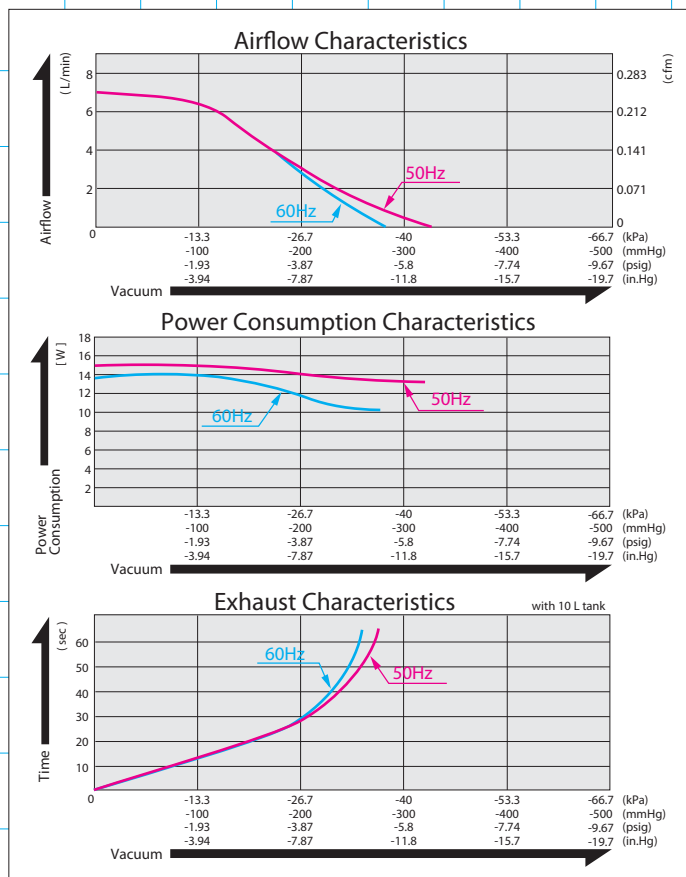
VP0125



MOTOR FREE
PISTON SYSTEM



Airflow & Power Consumption

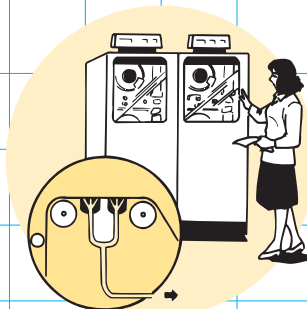


Specifications

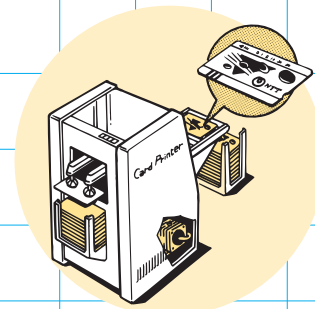
	(SI)	(EURO)	(U.S.A.)
Attainable Vacuum	-33.3 kPa (-250 mmHg)	-333 mbar	-9.84 in.Hg
Free Air Displacement	7 L/min		0.247 cfm
Rated Voltage	115 V AC or 230 V AC		
Power Consumption	14 W or 15 W		
Rated Frequency	60 Hz or 50 Hz		
Life Expectancy	10,000 hours		
Inlet	6 mm O.D. hose nipple		
Outlet	6 mm O.D. hose nipple		
Duty Cycle	Continuous		
Coil Insulation Class	E or its equivalent (JETL) and B for UL		
Mounting Dimensions	48 (L) x 62 (W) mm	1-7/8" (L) x 2-7/16" (W)	
Gross Weight	0.7 kg		1.54 Lbs.
Leadwire Length	200 mm		

Please read the page of "How to Use This Catalog" first for correct use of compressors and pumps.

Application Examples



Tape Positioning



Paper Card Dispenser

Sketch Drawing and Mounting Dimensions Diagram (mm)

