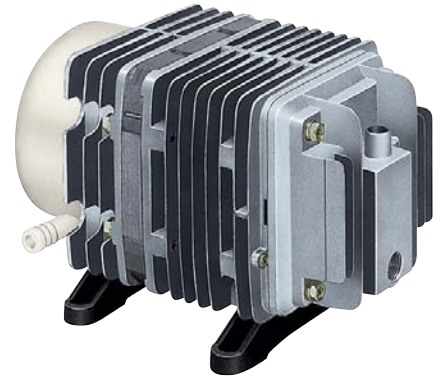


LINEAR

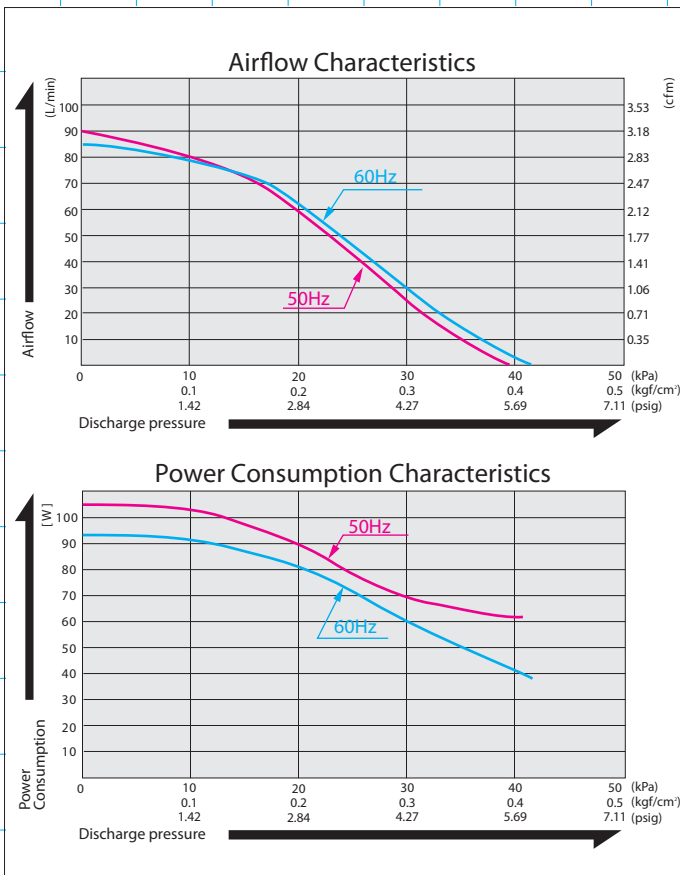
AC0901



MOTOR FREE
PISTON SYSTEM



Airflow & Power Consumption

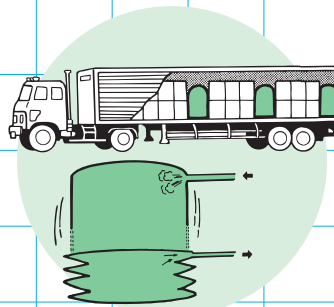


Specifications

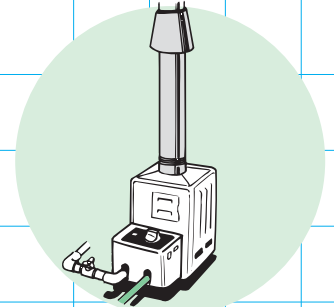
	(SI)	(EURO)	(U.S.A.)
Rated Pressure	10 kPa {0.1 kgf/cm ² }	0.1 bar	1.45 psig
Rated Airflow	80 L/min		2.83 cfm
Rated Voltage	120 V AC or 230 V AC		
Maximum Pressure	40 kPa {0.4 kgf/cm ² }	0.4 bar	5.8 psig
Power Consumption	88 W or 99 W		
Rated Frequency	60 Hz or 50 Hz		
Life Expectancy	10,000 hours		
Outlet	ISO Rc 3/8		
Duty Cycle	Continuous		
Coil Insulation Class	E or its equivalent (JETL) or B for UL		
Mounting Dimensions	102 (L) x 130 (W) mm	4" (L) x 5-1/8" (W)	
Gross Weight	4.9 kg	10.8 Lbs.	
Leadwire Length	300 mm	11-13/16" for 115V	

Please read the page of "How to Use This Catalog" first for correct use of compressors and pumps.

Application Examples



Pneumatic Jack



Gas Burner Booster

Sketch Drawing and Mounting Dimensions Diagram (mm)

