

LINEAR

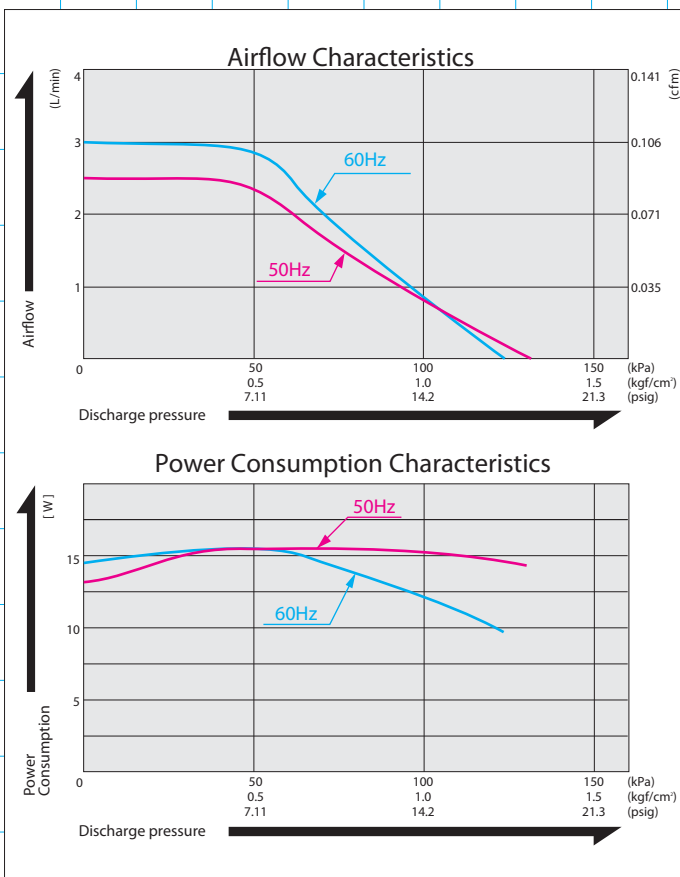
AC0110



MOTOR FREE
PISTON SYSTEM



Airflow & Power Consumption

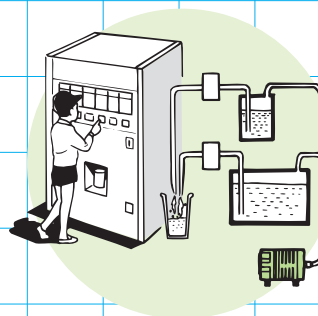


Specifications

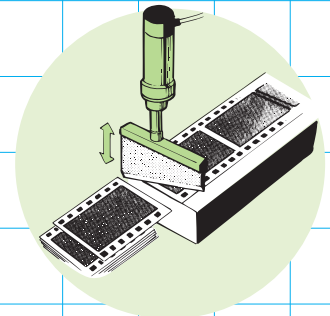
	(SI)	(EURO)	(U.S.A.)
Rated Pressure	100 kPa {1.0 kgf/cm ² }	1.0 bar	14.5 psig
Rated Airflow	0.8 L/min		
Rated Voltage	115 V AC or 230 V AC		
Maximum Pressure	120 kPa {1.2 kgf/cm ² }	1.2 bar	17.4 psig
Power Consumption	12 W or 15 W		
Rated Frequency	60 Hz or 50 Hz		
Life Expectancy	4,000 hours		
Outlet	6 mm O.D. hose nipple		
Duty Cycle	30 minutes		
Coil Insulation Class	E or its equivalent (JETL) and B for UL		
Mounting Dimensions	48 (L) x 62 (W) mm	1-7/8" (L) x 2-7/16" (W)	
Gross Weight	0.7 kg	1.54 Lbs.	
Leadwire Length	200 mm	7-7/8"	

Please read the page of "How to Use This Catalog" first for correct use of compressors and pumps.

Application Examples



Automatic Dispenser



Film Cutter

Sketch Drawing and Mounting Dimensions Diagram (mm)

