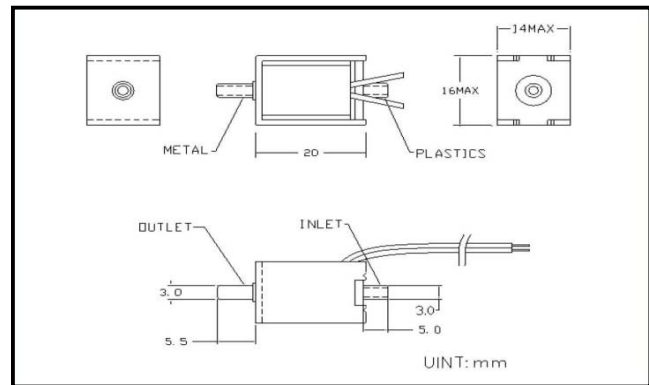


GTEK AUTOMATION

A Division of Pacific Air Engineering, Inc.

2 Way N.C. Solenoid Valve

Applications: For use on a Variety of Medical, Industrial and Appliance OEM Applications that Requires a Low Pressure/Low Cost Pneumatic Solenoid Valve.



Specifications:	SV2W-6VDC	SV2W-12VDC	SV2W-24VDC
1. Rated Pressure:	5.8 PSI (300mmHg)		
2. Configuration:	Normally Closed		
3. Rated Voltage:	DC6V (5.5-6.5V)	DC12V (10.5-13.2V)	DC24V (21.6-26.4V)
4. Rated Current:	375mA	400mA	200mA
5. Coil Resistance:	16 Ohms +/- 10%	30 Ohms +/- 10%	120 Ohms +/- 10%
6. Rated Power Consumption:	2.25 Watts	4.8 Watts	
7. Temperature:	0 - 45 Degrees C		
8. Insulation Grade:	A		
9. Media:	Air or Inert Gases		
10. Max On Time:	10 Seconds		
11. Duty Cycle:	20%		
12. Leakage:	Max 5mmHg (From 300mmHg in 500cc Tank)		
13. Exhaust Time:	Max 4.0 Seconds		
* From 300mmHg to 15mmHg in 500cc Tank.			
14. Insulation Resistance:	50M Ohms		
15. Plastic Port:	3mm O.D.		
16. Steel Port:	3mm O.D.		
17. Lead Wires: (28 AWG)	150mm Length	80mm Length	150mm Length
18. Performance Test:	1 Second ON, 5 Seconds OFF, 30,000 Times		

GTEK AUTOMATION

A Division of Pacific Air Engineering, Inc.

26212 Dimension Drive, Suite 150, Lake Forest, CA 92630

Ph. 949-680-4242, Fax. 949-680-4243, Email: Sales@Gtek-Automation.com

Web Site: Gtek-Automation.com