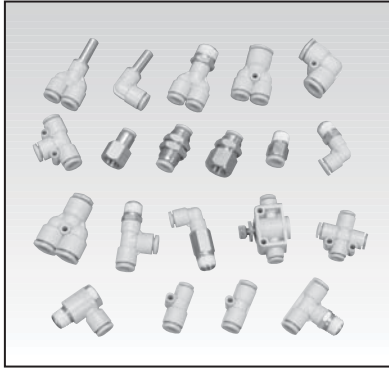


Metric-Size One-Touch Fittings Series SQ



- Accepts many types of plastic tubing (polyurethane, nylon, soft nylon, polyethylene)
- Can be used for low vacuum(10 torr)
- Positive sealing and reduced resistance (when tubing is inserted)
- Low disconnection force (when releasing tubing)

How to Order

SQ L 06 - 01 S - X2 S

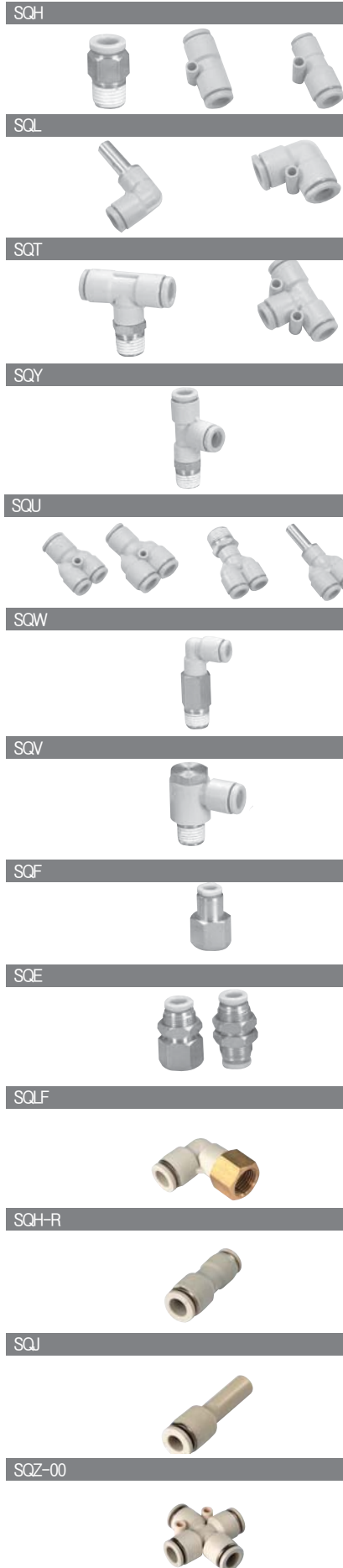
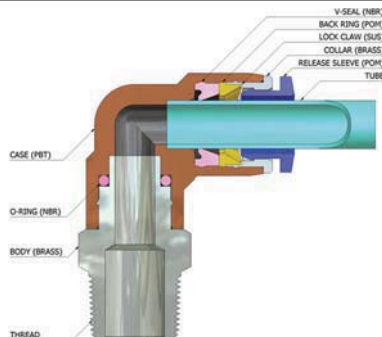
1 2 3 4 5

- | | |
|-----------------------------------------------------------------------------------------------------------------------------------------------------------------------|----------------------------------------------------------------------------------------------------------------------------------------------------------------------------------------------------------------------|
| <p>1 Model</p> <p>2 Applicable tube O. D.
04 : Ø4
06 : Ø6
08 : Ø8
10 : Ø10
12 : Ø12</p> <p>3 Port size
M5 : M5 x 0.8</p> | <p>01 : R(c) 1/8
02 : R(c) 1/4
03 : R(c) 3/8
04 : R(c) 1/2</p> <p>4 Sealant screw
S : Sealant</p> <p>5 Nickel coated
Blank : Standard type
X2 : Copper-free(Nickel coated)</p> |
|-----------------------------------------------------------------------------------------------------------------------------------------------------------------------|----------------------------------------------------------------------------------------------------------------------------------------------------------------------------------------------------------------------|

Standard Specifications

Fluid type	Air
Max. operating pressure	0~150psi (0~9.9kgf/cm ²)
Ambient and fluid temperature	0~60 °C
Applicable tube O.D	Ø4, Ø6, Ø8, Ø10, Ø12

Structural Diagram



Applicable tube material	Applicable tube O.D (mm)				
	#4	#6	#8	#10	#12
Nylon Soft Nylon Polyurethane	M5	●	●	●	●
	1/8	●	●	●	●
	1/4	●	●	●	●
	3/8	●	●	●	●
	1/2	●	●	●	●
Nylon Soft Nylon Polyurethane	M5	●	●	●	●
	1/8	●	●	●	●
	1/4	●	●	●	●
	3/8	●	●	●	●
	1/2	●	●	●	●
Nylon Soft Nylon Polyurethane	M5	●	●	●	●
	1/8	●	●	●	●
	1/4	●	●	●	●
	3/8	●	●	●	●
	1/2	●	●	●	●
Nylon Soft Nylon Polyurethane	M5	●	●	●	●
	1/8	●	●	●	●
	1/4	●	●	●	●
	3/8	●	●	●	●
	1/2	●	●	●	●
Nylon Soft Nylon Polyurethane	M5	●	●	●	●
	1/8	●	●	●	●
	1/4	●	●	●	●
	3/8	●	●	●	●
	1/2	●	●	●	●
Nylon Soft Nylon Polyurethane	M5	●	●	●	●
	1/8	●	●	●	●
	1/4	●	●	●	●
	3/8	●	●	●	●
	1/2	●	●	●	●
Nylon Soft Nylon Polyurethane	M5	●	●	●	●
	1/8	●	●	●	●
	1/4	●	●	●	●
	3/8	●	●	●	●
	1/2	●	●	●	●
Nylon Soft Nylon Polyurethane	M5	●	●	●	●
	1/8	●	●	●	●
	1/4	●	●	●	●
	3/8	●	●	●	●
	1/2	●	●	●	●
Nylon Soft Nylon Polyurethane	M5	●	●	●	●
	1/8	●	●	●	●
	1/4	●	●	●	●
	3/8	●	●	●	●
	1/2	●	●	●	●
Nylon Soft Nylon Polyurethane	M5	●	●	●	●
	1/8	●	●	●	●
	1/4	●	●	●	●
	3/8	●	●	●	●
	1/2	●	●	●	●
Nylon Soft Nylon Polyurethane	M5	●	●	●	●
	1/8	●	●	●	●
	1/4	●	●	●	●
	3/8	●	●	●	●
	1/2	●	●	●	●

DS3000
DS5000
DP300/ 3000/5000
DS6000
DS3000 (Base Ported)
DX1,2
DX2R
DH
DW
DM
DT220/ UDT220/DC
TPC-1000 /1200
PC
PF
PR
PL
PP
PFH/ PFU
PLV
TXF
PVR/PNR
PER2000 /3000
TAD
EP
EM/EL
SPSA
SPS
SQ
SC
SP
SP4000 /SPM
SP2000
SN
SQ2
SH
DCH
SF
ST
W1
W2/W3
W4/W5
W6/W7 Mini Auto Switch