

## Speed Controllers Series SP



- Easy control of air flow speed and air flow rate.
- Tube direction and angle are controlled according to piping as the main body can rotate up to 360 after assembly.
- Needle rotation is increased to 10-12 times for easy speed and regular speed control.
- Nickel body plating as a standard specification.

### How to Order

**SP 2 2 0 1F - 02 - 08 S W**

1
2
3
4
5
6
7

#### 1 Body size

- 1 : M5
- 2 : R 1/8, 1/4
- 3 : R 3/8
- 4 : R 1/2

#### 2 Type

- 2 : Elbow
- 0 : Union

#### 3 Controlled method

- 0 : Meter-Out
- 1 : Meter-In

#### 4 With One-touch Fittings

#### 5 Port size

- M5 : M5 x 0.8
- 01 : R 1/8
- 02 : R 1/4
- 03 : R 3/8
- 04 : R 1/2

#### 6 Applicable tube O. D.

- 04 : Ø4
- 06 : Ø6
- 08 : Ø8
- 10 : Ø10
- 12 : Ø12

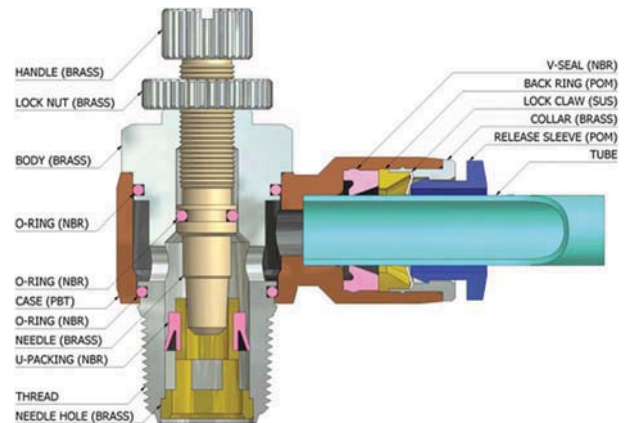
#### 7 Sealant screw

- S : Sealant

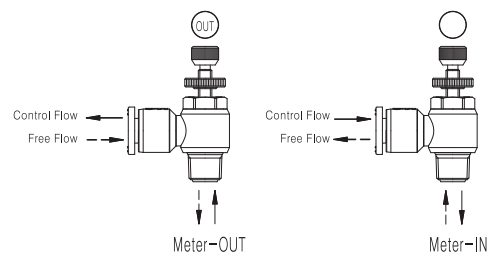
### Standard Specifications

Fluid type	Air
Max. operating pressure	0~150psi (0~9.9kgf/cm <sup>2</sup> )
Ambient and fluid temperature	0~60 °C
Applicable tube O.D	Ø4, Ø6, Ø8, Ø10, Ø12

### Structural Diagram



### Controlled method (Meter-Out/-In)



DS3000
DS5000
DP300/ 3000/5000
DS6000
DS3000 (Base Ported)
DX1,2
DX2R
DH
DW
DM
DT220/ UDT220/DC
TPC-1000 /1200
PC
PF
PR
PL
PP
PFF/ PFU
PLV
TXF
PVR/PNR
PER2000 /3000
TAD
EP
EM/EL
SPSA
SPS
SQ
SC
SP
SP4000 /SPM
SP2000
SN
SQ2
SH
DCH
SF
ST
W1
W2/W3
W4/W5
W6/W7 Mini Auto Switch