

GTEK AUTOMATION

A Division of Pacific Air Engineering, Inc.

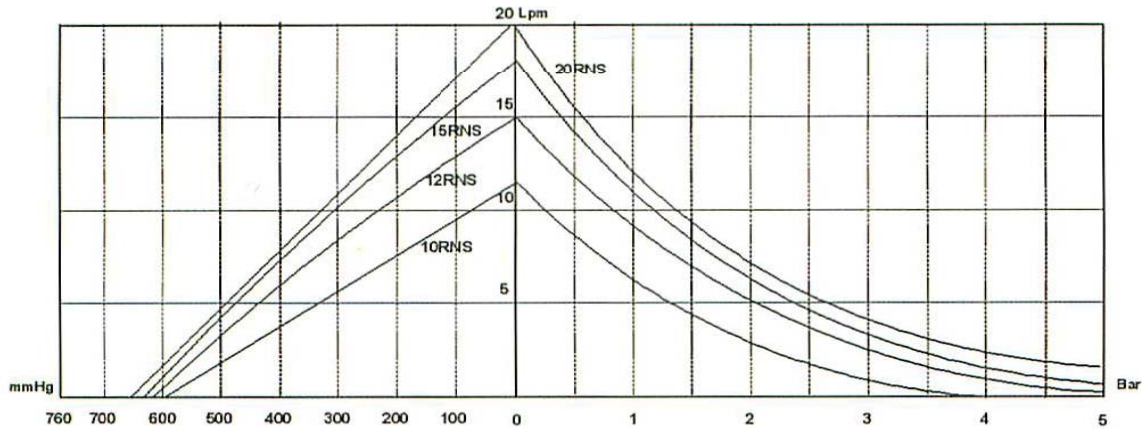
MODEL GTA-10RNS to GTA-20RNS AIR/VACUUM PUMP

TECHNICAL DATA

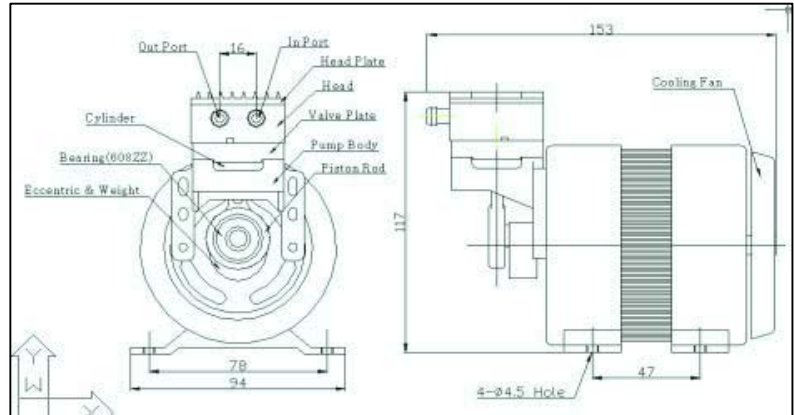
P/N:	GTA-10RNS	GTA-12RNS	GTA-15RNS	GTA-20RNS
Voltage:	100-110VAC (50/60Hz), 200-220VAC (50/60Hz), 230-240VAC (50/60Hz)			
Motor Power:	40W			
Open Flow Air Output:	0.35 CFM (10 LPM)	0.42 CFM (12 LPM)	0.53 CFM (15 LPM)	0.71 CFM (20 LPM)
Max. Vacuum	19.29 InHg (490 mmHg)	21.26 InHg (540 mmHg)	23.61 InHg (600 mmHg)	25.59 InHg (650 mmHg)
Max. Pressure	28 PSI (2 Kg/cm ²)	35 PSI (2.5 Kg/cm ²)	64 PSI (4.5 Kg/cm ²)	85 PSI (6 Kg/cm ²)
Dimensions:	5.51" L x 3.70" H x 4.60" W (140mm L x 94mm H x 117mm W)			
Weight:	3.74 LBS (1.7 Kg)			
Motor Type	4 Pole, Capacitor Start, with Thermal Protector and Inner Cooling Fan.			
Connection Type:	Tubing Type: Tubing Size: I.D. To be less that 5/16" (8mm)			

* To Order Please Use P/N-Voltage. IE: P/N GTA-10RNS-110VAC or GTA-10RNS-240VAC.

Output Air Flow



Mini Oil-less Piston Pump (Single head Type)



GTEK AUTOMATION

A Division of Pacific Air Engineering, Inc.

26212 Dimension Drive, Suite 150, Lake Forest, CA 92630

Ph. 949-680-4242, Fax. 949-680-4243, Email: Sales@Gtek-Automation.com

Web Site: Gtek-Automation.com