

# GTEK AUTOMATION

A Division of Pacific Air Engineering, Inc.

## MICRO .20 WATER PUMP

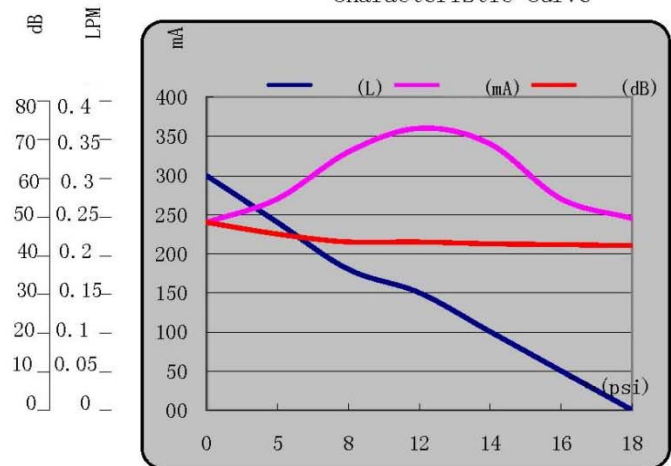
### TECHNICAL DATA

P/N:	M00302-20W-12A
Voltage:	12 VDC (10.8 - 13.2 VDC)
Amperage:	<0.80 Amps
Power:	<9.60 Watts
Noise:	<68.5 db/30 cm
Pressure:	>4.35 PSI (225 mmHg)
Open Flow Air Output:	>0.20 LPM
Outlet:	3.0 mm O.D.

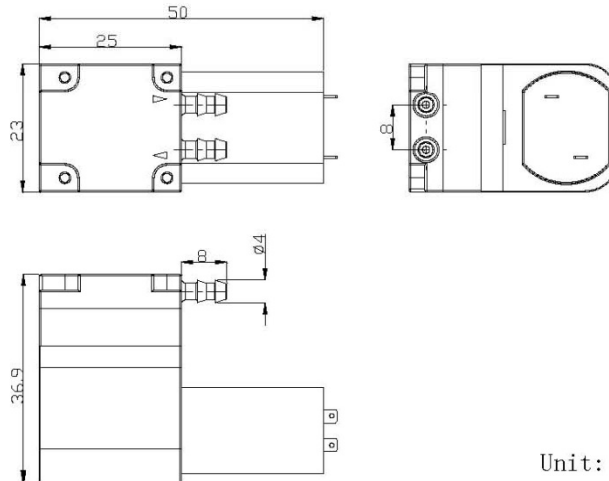
Photo:



Characteristic Curve



Dimension



Unit: mm

GTEK AUTOMATION

A Division of Pacific Air Engineering, Inc.

26212 Dimension Drive, Suite 150, Lake Forest, CA 92630

Ph. 949-680-4242, Fax. 949-680-4243, Email: Sales@Gtek-Automation.com

Web Site: Gtek-Automation.com