

GTEK AUTOMATION

A Division of Pacific Air Engineering, Inc.

MICRO .08 WATER PUMP

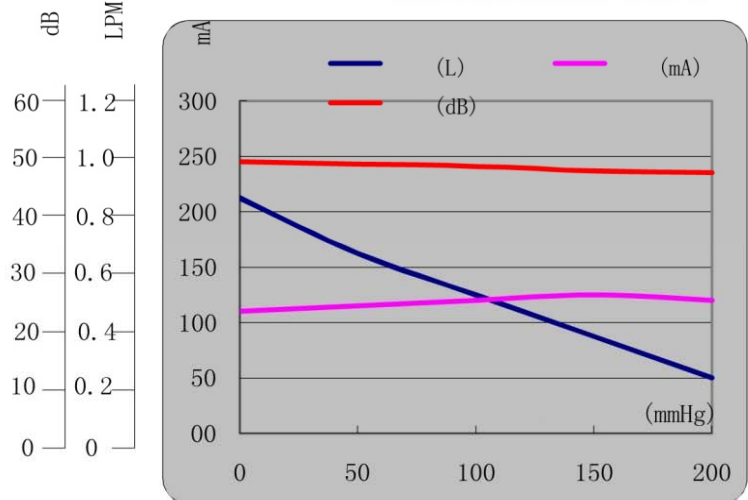
TECHNICAL DATA

P/N:	M00301-08W-12A
Voltage:	12 VDC (10.8 - 13.2 VDC)
Amperage:	<0.25 Amps
Power:	<3.00 Watts
Noise:	<75 db/30 cm
Pressure:	>5.80 PSI (300 mmHg)
Open Flow Air Output:	>0.08 LPM
Outlet:	3.2mm O.D.

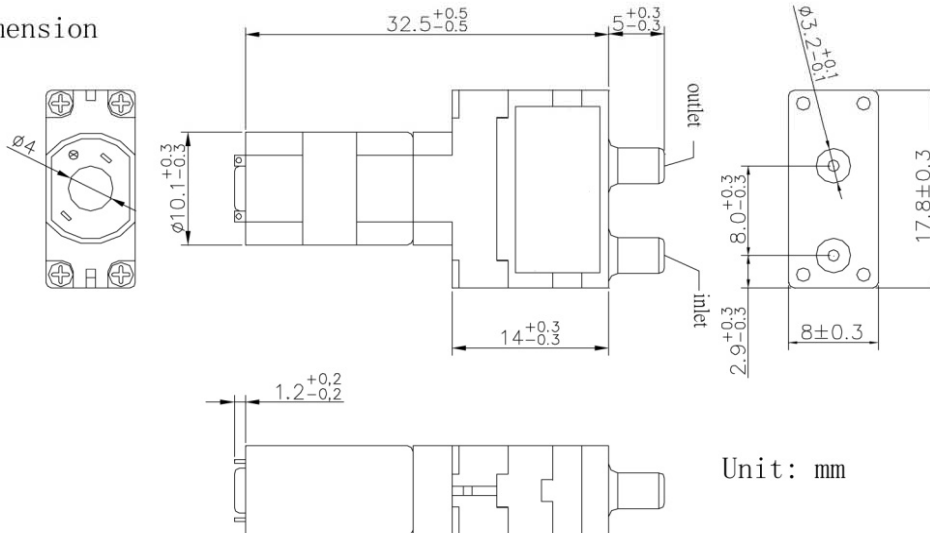
Photo.



Characteristic Curve.



Dimension



GTEK AUTOMATION

A Division of Pacific Air Engineering, Inc.

26212 Dimension Drive, Suite 150, Lake Forest, CA 92630

Ph. 949-680-4242, Fax. 949-680-4243, Email: Sales@Gtek-Automation.com

Web Site: Gtek-Automation.com

GTEK AUTOMATION

A Division of Pacific Air Engineering, Inc.

MICRO .20 WATER PUMP

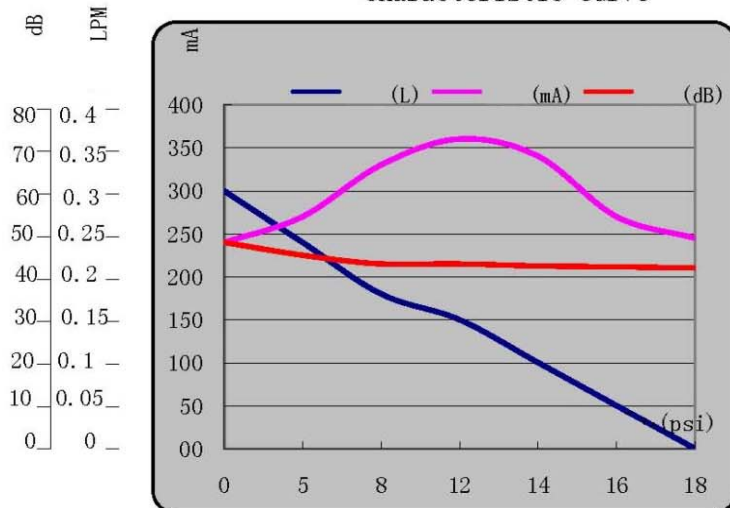
TECHNICAL DATA

P/N:	M00302-20W-12A
Voltage:	12 VDC (10.8 - 13.2 VDC)
Amperage:	<0.80 Amps
Power:	<9.60 Watts
Noise:	<68.5 db/30 cm
Pressure:	>4.35 PSI (225 mmHg)
Open Flow Air Output:	>0.20 LPM
Outlet:	3.0 mm O.D.

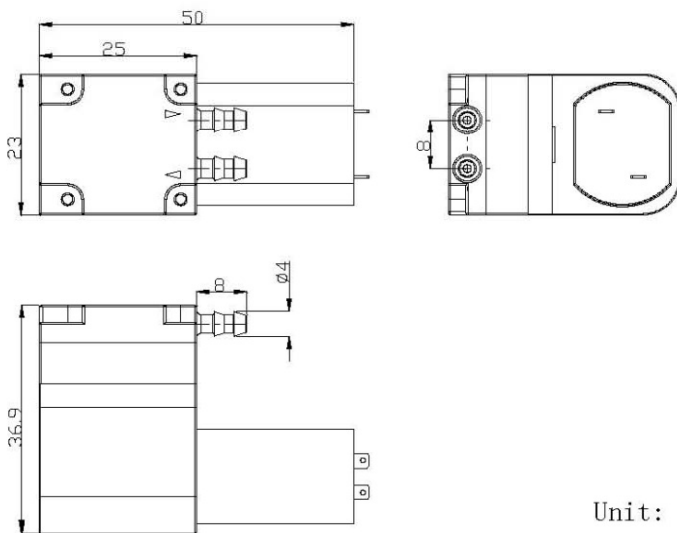
Photo:



Characteristic Curve



Dimension



Unit: mm

GTEK AUTOMATION

A Division of Pacific Air Engineering, Inc.

26212 Dimension Drive, Suite 150, Lake Forest, CA 92630

Ph. 949-680-4242, Fax. 949-680-4243, Email: Sales@Gtek-Automation.com

Web Site: Gtek-Automation.com

GTEK AUTOMATION

A Division of Pacific Air Engineering, Inc.

MICRO .30 WATER PUMP

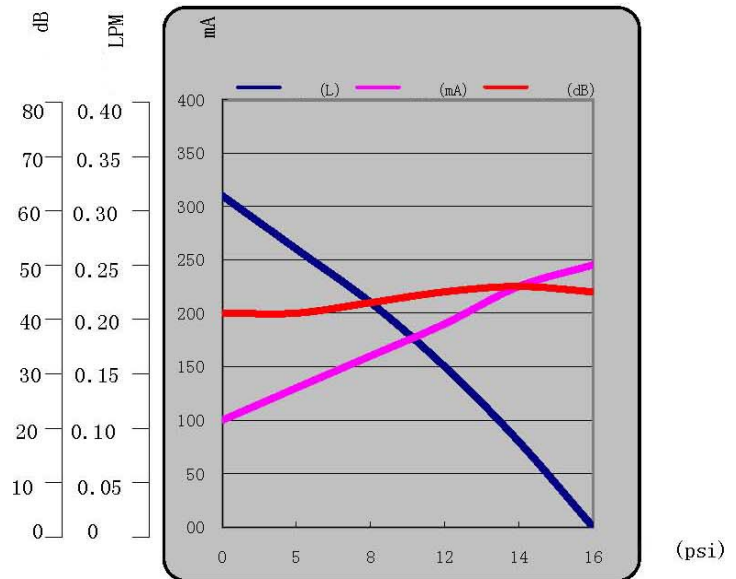
TECHNICAL DATA

P/N:	M00303-27W-12A
Voltage:	12 VDC (11.0 - 13.0 VDC)
Amperage:	<0.20 Amps
Power:	<2.40 Watts
Noise:	<55 db/30 cm
Pressure:	>4.35 PSI (225 mmHg)
Open Flow Air Output:	>0.30 LPM
Outlet:	4.0 mm O.D.

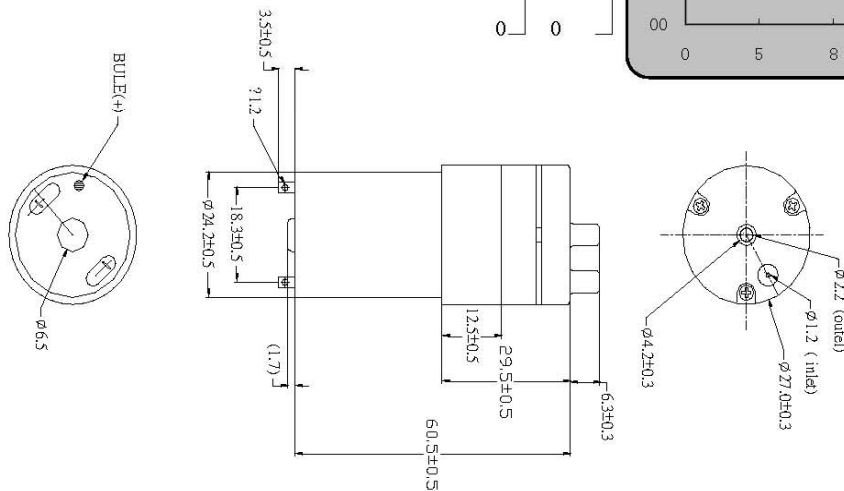
Photo



Characteristic Curve



Dimension



Unit: mm

GTEK AUTOMATION

A Division of Pacific Air Engineering, Inc.

26212 Dimension Drive, Suite 150, Lake Forest, CA 92630

Ph. 949-680-4242, Fax. 949-680-4243, Email: Sales@Gtek-Automation.com

Web Site: Gtek-Automation.com

GTEK AUTOMATION

A Division of Pacific Air Engineering, Inc.

MICRO .40 WATER PUMP

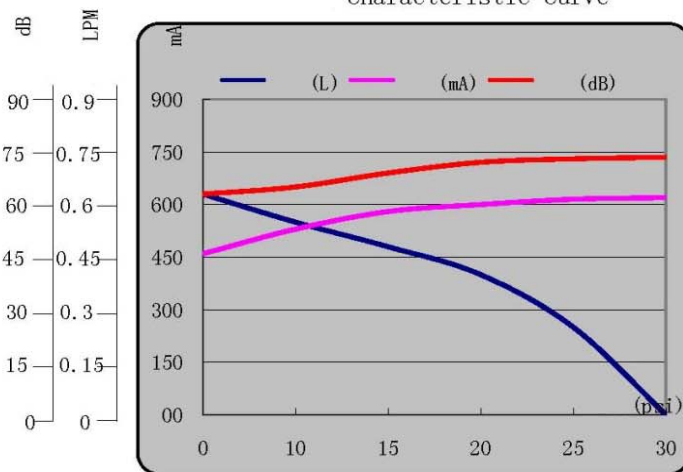
TECHNICAL DATA

P/N:	M00304-36W-12B
Voltage:	12 VDC (10.8 - 13.2 VDC)
Amperage:	<1.50 Amps
Power:	<18.00 Watts
Noise:	<68.5 db/30 cm
Pressure:	>4.35 PSI (225 mmHg)
Open Flow Air Output:	>0.40 LPM
Outlet:	3.0 mm O.D.

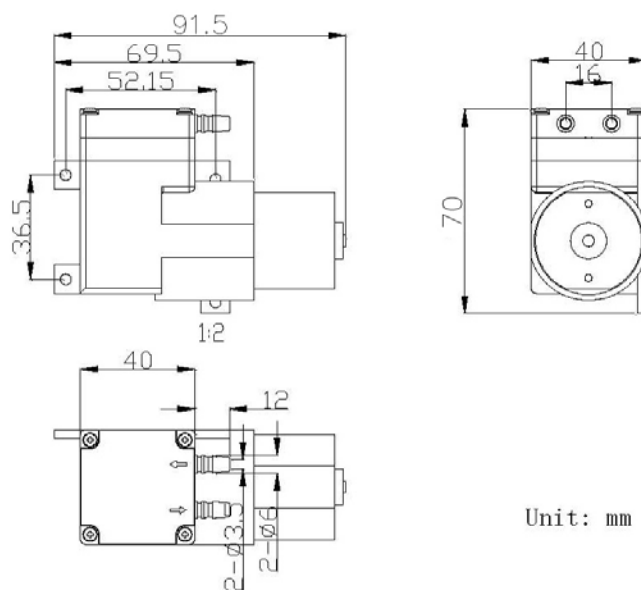
Photo



Characteristic Curve



Dimension



Unit: mm

GTEK AUTOMATION

A Division of Pacific Air Engineering, Inc.

26212 Dimension Drive, Suite 150, Lake Forest, CA 92630

Ph. 949-680-4242, Fax. 949-680-4243, Email: Sales@Gtek-Automation.com

Web Site: Gtek-Automation.com