

# GTEK AUTOMATION

A Division of Pacific Air Engineering, Inc.

## GTR300-2.5X10

Reservoir Cartridge, 2.5" O.D. x 10" Long, Double Screen, 1/4" Ports

### TECHNICAL DATA:

**Material:** FDA Approved Polypropylene.

**Max. Working Pressure:** 125 PSI.

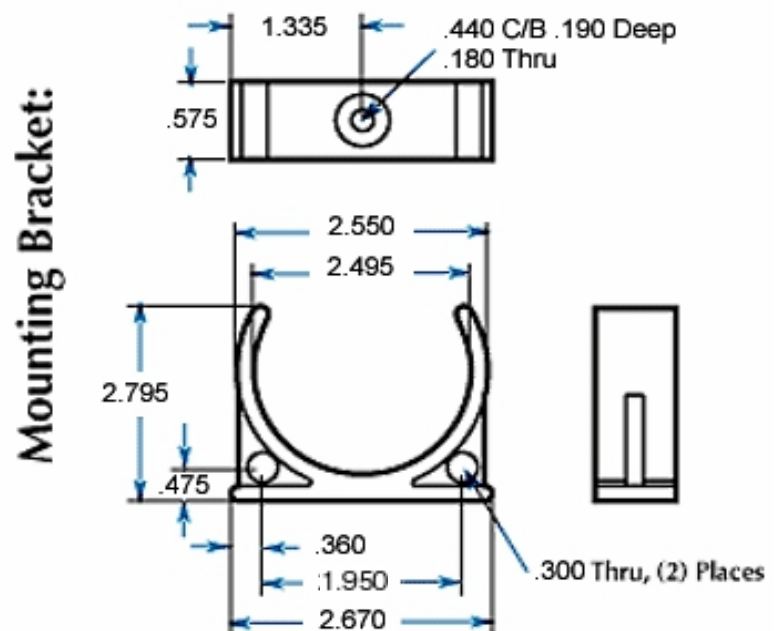
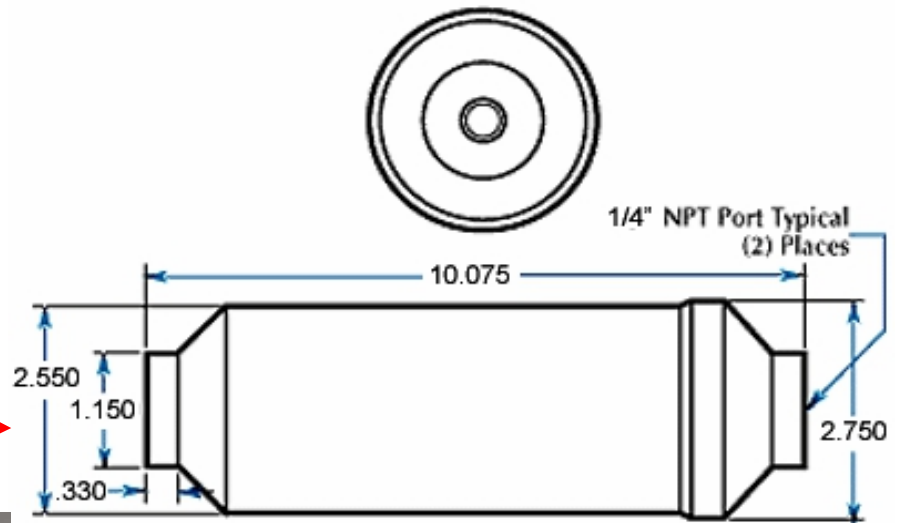
**Max. Working Temperature:** 100 F.

**Filtration:** 50 Mesh Screens, Both Ends.

**Volume:** 31.73 Cubic Inches (520 ML).

\* Volume Tolerance: +/- 1 Cubic Inches (16.4 ML)

SLIDE MOUNTING BRACKET ONTO THIS END →



GTEK AUTOMATION

A Division of Pacific Air Engineering, Inc.

26212 Dimension Drive, Suite 150, Lake Forest, CA 92630

Ph. 949-680-4242, Fax. 949-680-4243, Email: Sales@Gtek-Automation.com

Web Site: Gtek-Automation.com