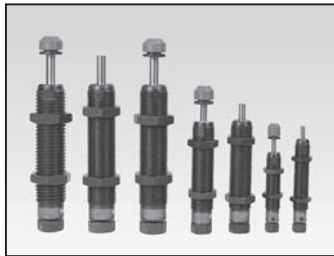
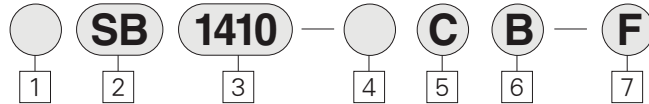


Shock Absorber Series SB



● Control design

How to Order



1 A nut Standard

Blank : mm nut (PT)
U : Inch nut (NPT)

2 Shock Absorber

SB : Standard (Black Coating)

3 Type of nut × Stroke Adjustable Type

Model	Thread	Stroke(mm)
1410	M14×P1.5	10
4225	M42×P1.5	25
2015	M20×P1.5	15
4250	M42×P1.5	50
2525	M25×P1.5	25
4275	M42×P1.5	75
2725	M27×P3.0	25
6450	M64×P2.0	50
3625	M36×P1.5	25
64100	M64×P2.0	100
3650	M36×P1.5	50
64150	M64×P2.0	150

Non-Adjustable Type

Model	Thread	Stroke(mm)
1006	M10×P1.0	6
2525	M25×P2.0	25
1415	M14×P1.0	15
2530	M25×P2.0	30
1420	M14×P1.0	20
2550	M25×P2.0	50
2020	M20×P1.5	20
2580	M25×P2.0	80
2030	M20×P1.5	30
3680	M36×P1.5	80
2050	M20×P1.5	50

4 Option

Blank : None
1 : Light Weight (only applies to compensator M10~M36 series)
2 : Standard (only applies to compensator M10~M36 series)
3 : Reinforced (only applies to compensator M14~M36 series)

5 Cap

Blank : None
C : with CAP

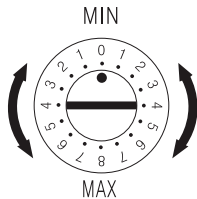
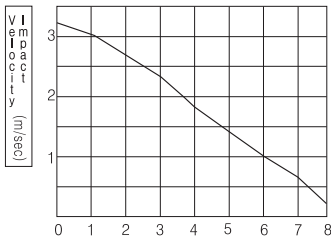
6 Control Dial

Blank : None
B : control dial

7 Option

Blank : Two Lock Nuts basis.
F : SQUARE FLANGE (Applied to Adjustable M36~M64 series only)
S : STOP COLLAR (Applied to Adjustable M8~M36 series only)
U : URETHANE CAP (Applied to Adjustable M36~M64 series only)
NK : Nickel coated

How to use Adjustable Dial



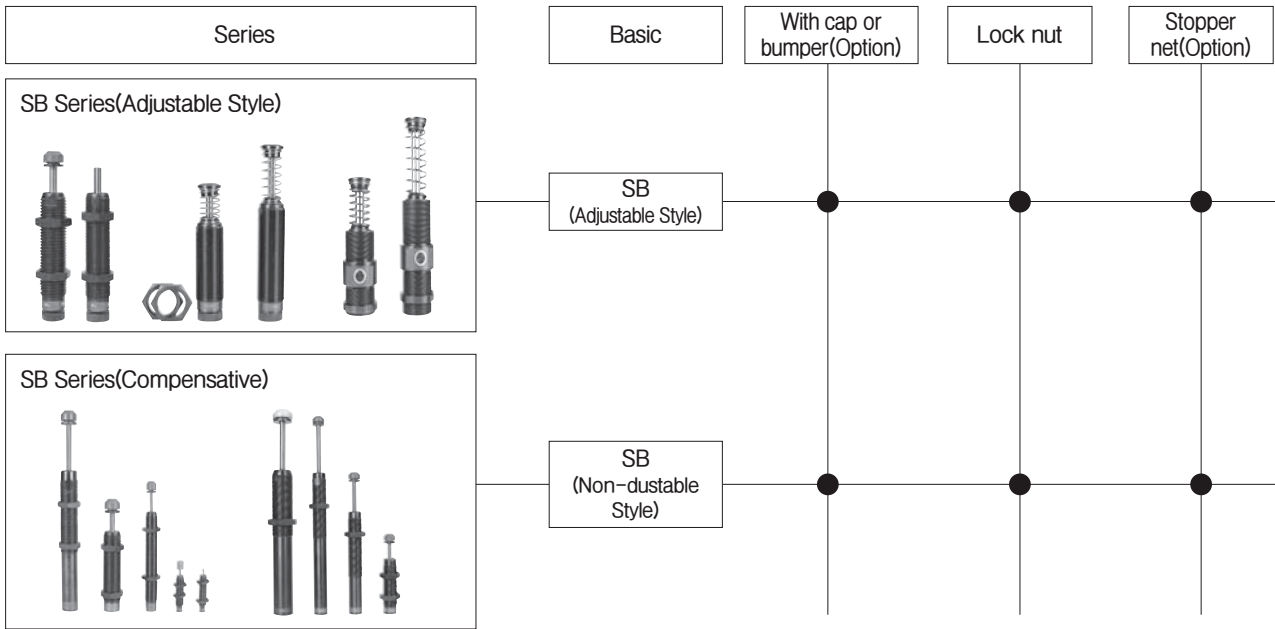
Comment) • The outer measurements are subject to change for improvements without notifications.

Directions and Applications of Advantage

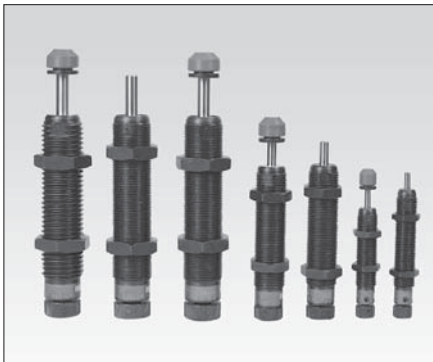
Items	Characterization	Directions	Applications	Applicable Range
SB Series Standard (Miniature · Middle-Size)	<ol style="list-style-type: none"> Using the 360°-rotating damping control dial, the range of shock absorption can be adjusted by the user according to the impact velocity. Prepares for another cycle by quickly retrieving the piston rod with a specially designed spring. Extends the life span of the product by preventing the corrosion with finishes on the outer cylinder and coroding the chrome plating on the piston rod. The thermal energy is established based on the atmospheric temperature of 20°C(68°F). 	<ol style="list-style-type: none"> After adjusting the damping control dial, fasten it with a wrench. Check if the effective weight is within the applicable range. With the insertion of a poly pad in the end button of the road, the noise decreases 3~7dB. It can be attached on any location. 	<ol style="list-style-type: none"> Automation Lines Automobile Equipments Conveyor Equipments Linear Movement of Oil Insertion Wrappers Textile Weavers Press/adherers 	-20°C ~ 60°C (-4~140°F)
SB Series (Heavy Duty)	<ol style="list-style-type: none"> Improves the productivity by increasing the acceleration of the equipment. Reduces the manufacturing cost by extending the life span of the shock-absorbing equipments. Improves the operational efficiency by reducing the noise inside the manufacturing facility. Improves and maintains the quality by preventing damages of the products. Maximum Impact Velocity: 0.05~3.3 m/sec. Range of Applicable Temperature: -20~60°C(-4~140°F). When using Vitar seal and specialized oil, the range extends to -40~120°C(-40~248°F). 			
SB Series long-stroke type	<ol style="list-style-type: none"> With its innovative multiple-orifice structure, it definitely stops the Robot softly when extruding the materials. Maximum Impact Velocity: Less than 3.5 m/sec Maximum Applicable Temperature: -20~60°C(-4~140°F). 			

- ACP/ UACP
- APM
- AS
- AX
- AM
- AM2
- AL/ ALX
- AQ/ UAQ
- ADQCP
- AQ2/ UADQ2
- AG/ UAG
- NGQ/ UNGQ
- AJ/ AJM
- ABK
- NSK
- GX/ AGX
- NDM
- ADR
- AMR/ UAMR
- NST
- AST
- ASTH
- NF
- NLCD
- NLCS
- TCRL
- NP
- ARD/ UARD
- NR
- ASL
- SB
- SAH
- CR/ CV
- CR/ CV-AQ2,ADQ2
- CR/ CV-AX
- CR/ CV-NLCD
- CR/ CV-AGL
- DR100
- RS
- DV1000/ 3000/4000
- DS300
- DS2000

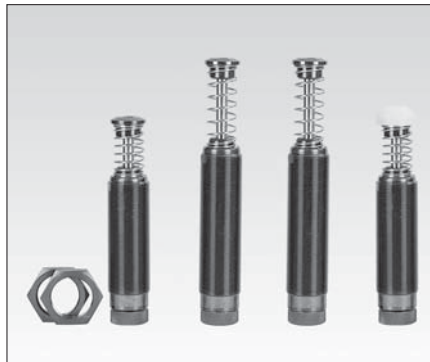
Shock Absorber Series SB



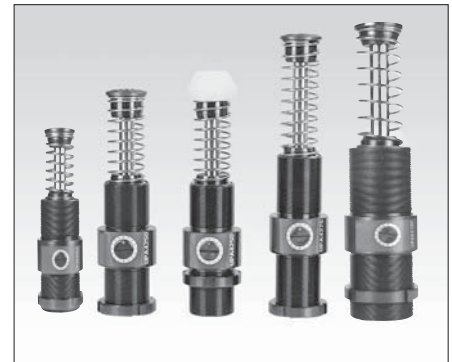
Shock Absorber



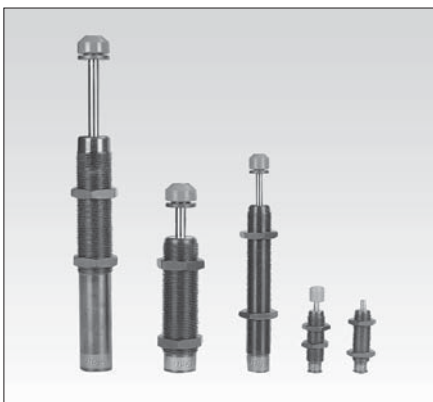
Adjustable Style SB (Small size) SB1410~2725 Series



Adjustable Style SB (Middle size) SB3625~3650 Series



Adjustable Style SB (Big size) SB4225~64150 Series



Non-Adjustable Style SB (Basic) SB1006~2525 Series



Non-Adjustable Style SB (Long-Stroke) SB2030~3680 Series