

Two-Touch Fittings Series SQ2



- The connection method is nut tightening and efficient in environments with vibration.
- Made from plastics to be semi-permanent, has good tolerance to corrosion and chemicals.
- Suited for low air pressure devices.

How to Order

SQ2 H 06 — 02

1
2
3

1 Model

2 Applicable tube O. D.

04 : Ø4
06 : Ø6
08 : Ø8
10 : Ø10
12 : Ø12

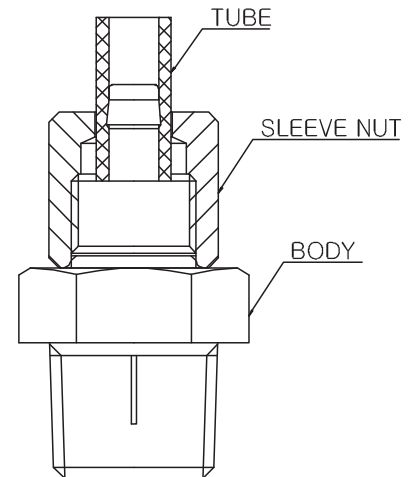
3 Port size

01 : R 1/8
02 : R 1/4
03 : R 3/8

Standard Specifications

Fluid type	Air
Max. operating pressure	0~150psi (0~9.9kgf/cm ²)
Ambient and fluid temperature	0~60 °C
Applicable tube O.D	Ø4, Ø6, Ø8, Ø10, Ø12

Structural Diagram



DS3000
DS5000
DP3000/3000/5000
DS6000
DS3000 (Base Ported)
DX1,2
DX2R
DX2R DH
DW
DM
DT220/UDT220/DC
TPC-1000/1200
PC
PF
PR
PL
PP
PFH/PFU
PLV
TXF
PVR/PNR
PER2000/3000
TAD
EP
EM/EL
SPSA
SPS
SQ
SC
SP
SP4000/SPM
SP2000
SN
SQ2
SH
DCH
SF
ST
W1
W2/W3
W4/W5
W6/W7
Mini Auto Switch