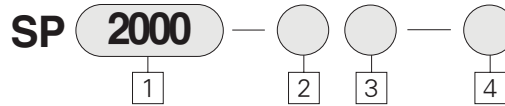


# Speed Controller SP2000 Series



- Retainer prevents accidental loss of needle
- Compact size saves space
- Speed shall be accurately controlled even at low speed
- Lock nut
- Copper free type for the electronic Industry(option)

## How to Order

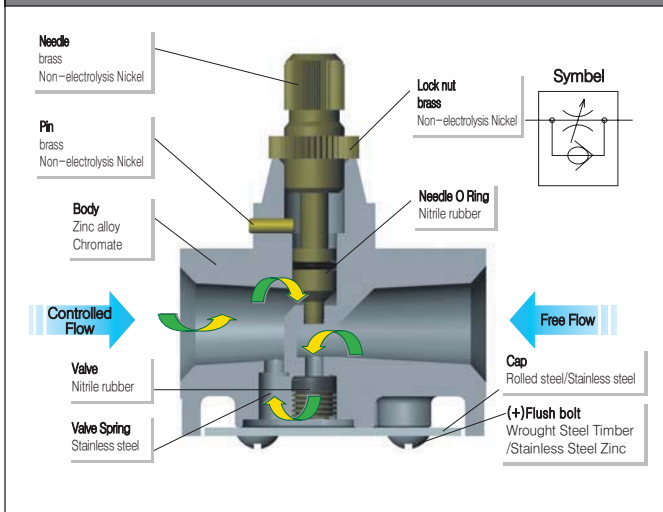


- |   |  |
|---|--|
| <p><b>1</b> Body Size<br/>2 : 1/4</p> <p><b>2</b> Thread<br/>Blank : Rc(PT)<br/>N : NPT</p> | <p><b>3</b> Port Size<br/>02 : 1/4</p> <p><b>4</b> Application<br/>Blank : Standard Type<br/>X2 : Copper Free Type</p> |
|---|--|

## Specifications

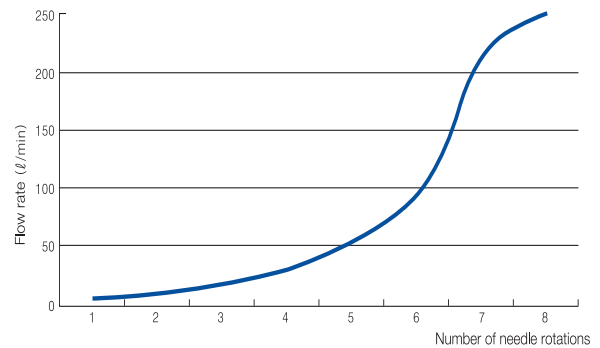
Description	Specification
Fluid	Air
Proof Pressure	1.5Mpa(213.3psi)
Max. Operating Pressure	1.0Mpa(140.8psi)
Min. Operating Pressure	0.05Mpa(7.1psi)
Ambient and Fluid Temperature	5~60°C(41~140°F)
Number of Needle Rotations	Max. 8turns

## Construction

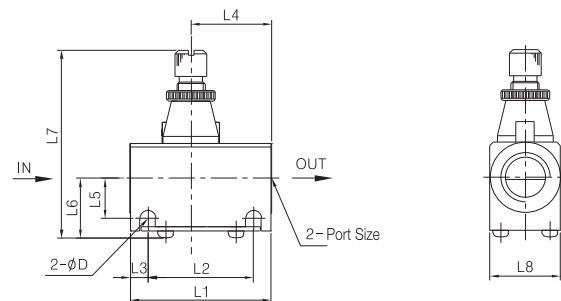


## Flow Characteristics

Flow Rate Per Needle Rotations



## Dimensions



### Dimensions

Model	Port Size	L1	L2	L3	L4	L5	L6	L7		L8	D
								MAX	MIN		
SP2000-02	Rc(PT)1/4	40	30	5	23	11.5	17	56	51.5	20	4.5

- DS3000
- DS5000
- DP3000/3000/5000
- DS6000
- DS3000 (Base Ported)
- DX1,2
- DX2R
- DH
- DW
- DM
- DT220/UDT220/DC
- TPC-1000/1200
- PC
- PF
- PR
- PL
- PP
- PFH/PFU
- PLV
- TXF
- PVR/PNR
- PER2000/3000
- TAD
- EP
- EM/EL
- SPSA
- SPS
- SQ
- SC
- SP
- SP4000/SPM
- SP2000
- SN
- SQ2
- SH
- DCH
- SF
- ST
- W1
- W2/W3
- W4/W5
- W6/W7
- Mini Auto Switch