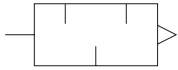


Silencer Series SN

- Over 30dB sound reduction
- Low back pressure
- Compact and easy mounting
- Suitable for miniature valves and pilot air exhaust ports

< Symbol >



(BC Sintered Body) Series SN



< Symbol >



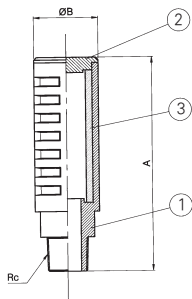
Specifications

Fluid	Air
Max. Operating Pressure	1.0 MPa (145 psi)
Noise Reduction (dB)	30dB(A)
Ambient and Fluid Temperature	5 ~ 60°C (41~140 °F)

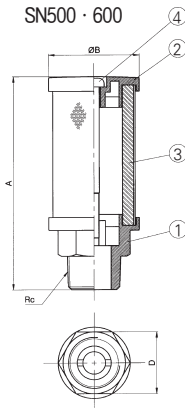
Model

Model	Port Size R(PT)		Effective Orifice (mm ²)	Weight (gf)	Dimension(mm)		
	A	B			D		
SN100-M5	M5×0.8		5	1	18	8	-
SN100-01	1/8		10	2	41	15.5	8
SN100-01A			15	4	37	11	6
SN200-02	1/4		35	17	63	22	19
SN300-03	3/8		60	25	84	25	22
SN400-04	1/2		90	35	92	30	27
SN500	06	3/4	200	70	104	44	30
SN600	10	1	230	100	130	48	37

SN100 ~ 400

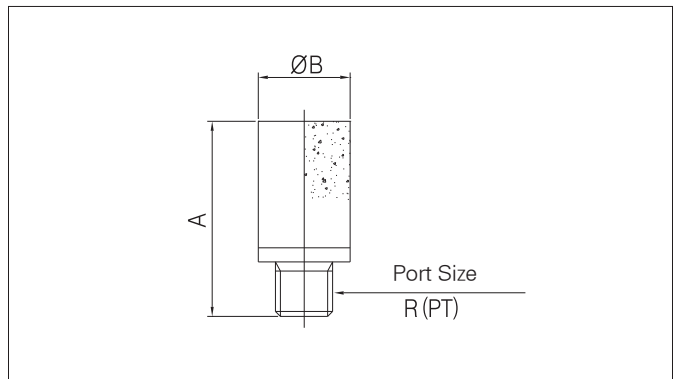


SN500 · 600



Specifications / Model

Specification	Model	SN101-01	SN110-01	SN120-M5
Port Size		R(PT) 1/8	R(PT) 1/8	M5
Noise Reduction dB(A)		16	21	18
Fluid		Air		
Max. Operating Pressure		1.0MPa (145 psi)		
Ambient and Fluid Temperature		5 ~ 150°C (41~302 °F)		
Effective Orifice(mm ²)		20	35	5
Weight (g)		9.5	20	3.3
Dimension(mm)	A	22.5	38	17
	B	11	13	8



Component Parts

No	Description	Material	Note
1	BODY	Polyacetal	
2	CAP	Polyacetal	
3	ELEMENT	Polyacetal	
4	BOLT	-	M6