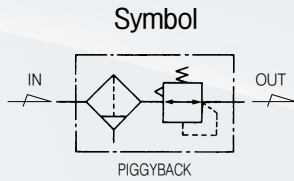


PP5 Series Piggyback Filter/Regulator 3/4" and 1"



Standard Specifications

| | | |
|------------------------------------|--|----------------------|
| Fluid | Air | |
| Max.operating pressure (MPa) | 1.0(140psi) | |
| Proof pressure (MPa) | 1.5(200psi) | |
| Set pressure range (MPa) | Standard | 0.05 ~ 1.0(7~140psi) |
| | Made to order specifications | 0.05 ~ 0.2(7~30psi) |
| | | 0.04 ~ 0.4(7~60psi) |
| | | 0.05 ~ 1.5(7~200psi) |
| Ambient and fluid temperature (°C) | -5 ~ 60(23~140°F) (Non-freezing) | |
| Flow capacity ※ (Nℓ/min) | 3/4" | 9,400(332scfm) |
| | 1" | 9,900(350scfm) |
| Filtration (μm) | 5 | |
| Construction | Relieving style | |
| Bowl material | Polycarbonate | |
| Bowl guard material | Nylon | |
| Drain capacity (cm ³) | Manual drain:156(5.27oz), Auto drain:174(5.88oz) | |
| Weight (kg) | 2.39(5.27lb) | |

※ Test conditions : Supply pressure 0.7 MPa(100psi), Set pressure 0.6 MPa(90psi)

How to order

PP 5 — ***** **10** **B** **D** **G** — *****

Series
(Piggyback Unit)

Thread

| | |
|-------|--------|
| Blank | Rc(PT) |
| N | NPT |
| G | G(PF) |

Port size

| | |
|----|-----|
| 06 | 3/4 |
| 10 | 1 |

Bracket Options

| | | |
|-------|---------------------|-------|
| Blank | None | |
| B | Bracket + Panel nut | Note2 |
| B1 | Panel nut | |

Note2) Separately packed, Not assembled.

Other Options

| | | | | |
|-------|---|------|-------------------------------|----------|
| Blank | Set at 0 to 1.0 MPa(140psi), 5μm (Standard) | J4 | Filter element - 40μm | |
| 2 | Set at 0 to 0.2 MPa(30psi) | K | Built-in Check Valve | Note1) |
| 4 | Set at 0 to 0.4 MPa(60psi) | R | Flow direction : Right → Left | |
| 15 | Set at 0 to 1.5 MPa(200psi) | T | Tamper Resistant Kit | Note1,2) |
| E | Non-relieving type | XC16 | Copper-free | |
| J2 | Filter element - 20μm | | | |

Note1) Refer to page 85 for Built-in Check valve, Tamper resistant kit.

※ If ordering more than one option, indicate symbols numerically then alphabetically Ex) 2EK

※ Over Max. pressure value can be set.

Pressure Gauge

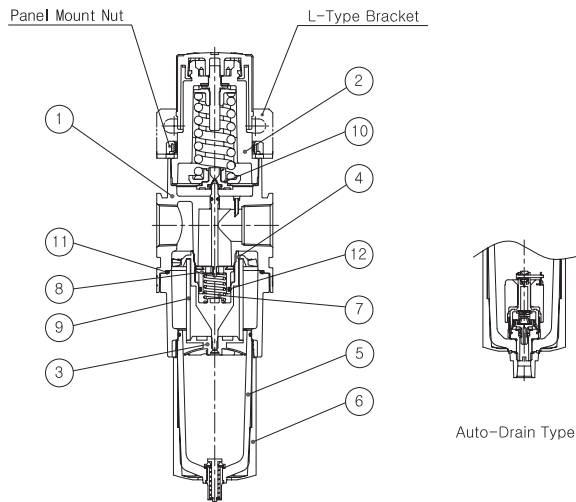
| Symbol | Description | Pressure range |
|--------|---|----------------|
| Blank | No-gauge | |
| G | Integral pressure gauge (W/Limit Indicator) | 1.0MPa(140psi) |
| P | Pressure gauge | 1.0MPa(140psi) |
| P2 | Pressure gauge | 0.2MPa(30psi) |
| P4 | Pressure gauge | 0.4MPa(60psi) |

Drain Options

| | | |
|-------|-----------------------|--------|
| Blank | Manual Push Drain | |
| D | Auto Drain (N.O Type) | Note3) |

Note3) Min.operating pressure is 0.15MPa (20psi) for Auto Drain (N.O Type)

Construction



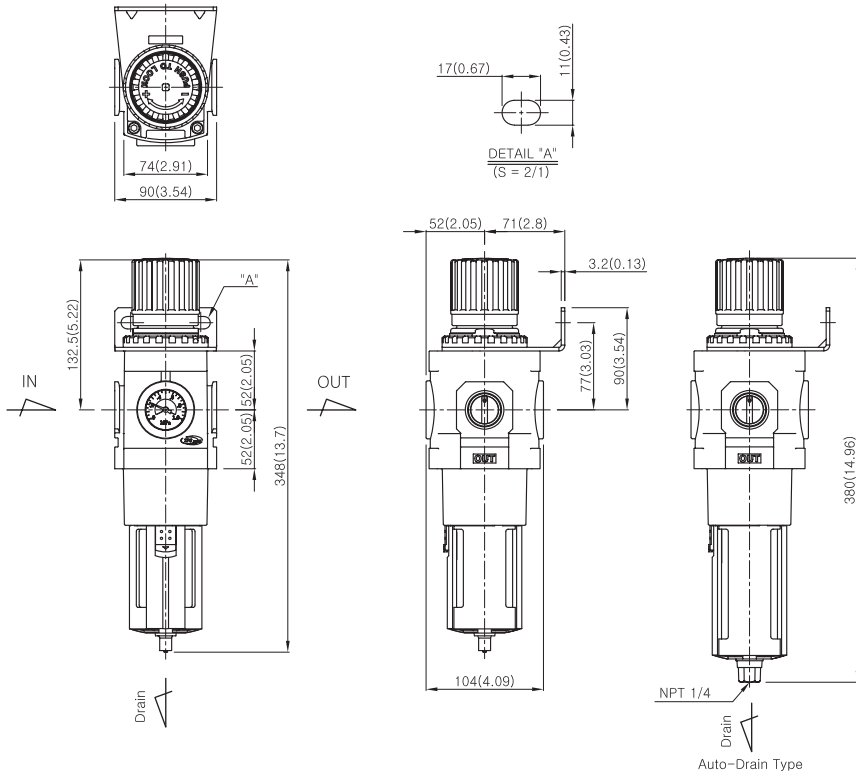
Main Parts / Parts List

| No. | Description | Material | Remarks |
|-----|--------------|-----------------|---------|
| ① | Body | Aluminum | |
| ② | Bonnet | Aluminum | |
| ③ | Baffle | Acetal | |
| ④ | Deflector | Nylon | |
| ⑤ | Bowl | Polycarbonate | |
| ⑥ | Bowl guard | Nylon | |
| ⑦ | Valve Spring | Stainless steel | |

Replacement Parts / Parts List

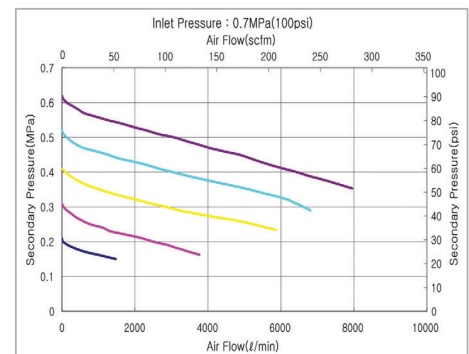
| No. | Description | Material | Part No. |
|-----|-----------------|--------------|-----------------|
| ⑧ | Valve ass'y | Brass+NBR | PP5-08A001-01 |
| ⑨ | Filter element | Polyethylene | PF5-24-005-01 |
| ⑩ | Diaphragm ass'y | Aluminum+NBR | PR5-11A001-01 |
| ⑪ | Bowl O-ring | NBR | TAF4000-08-6000 |
| ⑫ | Valve O-ring | NBR | P21-01 |

Dimensions



Flow Characteristics

▶ 3/4" PP5



▶ 1" PP5

