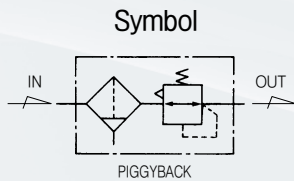


# PP4 Series

## Piggyback Filter/Regulator 3/8" and 1/2"



### Standard Specifications

Fluid	Air	
Max. operating pressure (MPa)	1.0(140psi)	
Proof pressure (MPa)	1.5(200psi)	
Set pressure range (MPa)	Standard	0.05 ~ 1.0(7~140psi)
	Made to order specifications	0.05 ~ 0.2(7~30psi) 0.05 ~ 0.4(7~60psi) 0.05 ~ 1.5(7~200psi)
Ambient and fluid temperature (°C)	-5 ~ 60(23~140°F) (Non-freezing)	
Flow capacity ※ (Nℓ/min)	3/8"	3,800(134scfm)
	1/2"	4,700(166scfm)
Filtration (μm)	5	
Construction	Relieving style	
Bowl material	Polycarbonate	
Bowl guard material	Nylon	
Drain capacity (cm <sup>3</sup> )	Manual drain:56(1.89oz), Auto drain:68(2.3oz)	
Weight (kg)	0.74(1.63lb)	

※ Test conditions : Supply pressure 0.7Mpa(100psi), Set pressure 0.6Mpa(90psi)

### How to order

**PP 4 — \* 04 B D G — \***

Series  
(Piggyback Unit)

Thread

Blank	Rc(PT)
N	NPT
G	G(PF)

Port size

03	3/8
04	1/2

Bracket Options

Blank	None	
B	Bracket + Panel nut	Note2)
B1	Panel nut	

Note2) Separately packed, Not assembled.

Other Options

Blank	Set at 0 to 1.0 MPa(140psi)	5μm (Standard)	
2	Set at 0 to 0.2 MPa(30psi)	J4	Filter element - 40μm
4	Set at 0 to 0.4 MPa(60psi)	K	Built-in Check Valve
15	Set at 0 to 1.5 MPa(200psi)	R	Flow direction : Right → Left
E	Non-relieving type	T	Tamper Resistant Kit
J2	Filter element - 20μm	XC16	Copper-free

Note1)

Note1,2)

Note1) Refer to page 85 for Built-in Check valve, Tamper resistant kit.

■ If ordering more than one option, indicate symbols numerically then alphabetically Ex) 2EK

■ Over Max. pressure value can be set.

Pressure Gauge

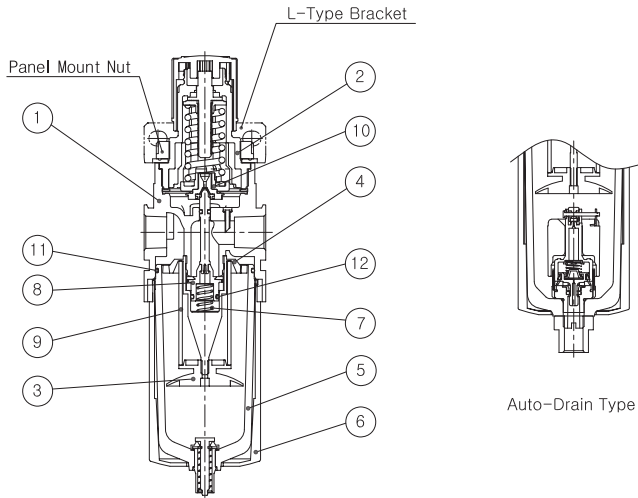
Symbol	Description	Pressure range
Blank	None	
G	Integral pressure gauge (W/Limit Indicator)	1.0MPa(140psi)
P	Pressure gauge	1.0MPa(140psi)
P2	Pressure gauge	0.2MPa(30psi)
P4	Pressure gauge	0.4MPa(60psi)

Drain Options

Blank	Manual Push Drain	
D	Auto Drain (N.O Type)	Note3)

Note1) Min. operating pressure is 0.15MPa (20psi) for Auto Drain (N.O Type)

## Construction



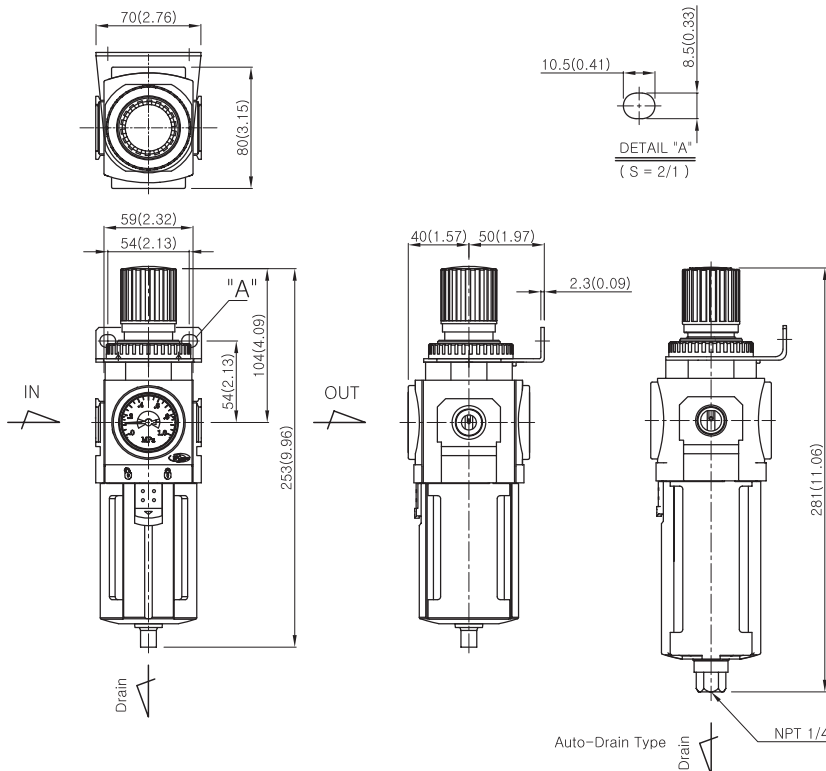
### Main Parts / Parts List

No.	Description	Material	Remarks
①	Body	Aluminum	
②	Bonnet	Nylon	
③	Baffle	Acetal	
④	Deflector	Acetal	
⑤	Bowl	Polycarbonate	
⑥	Bowl guard	Nylon	
⑦	Valve Spring	Stainless steel	

### Replacement Parts / Parts List

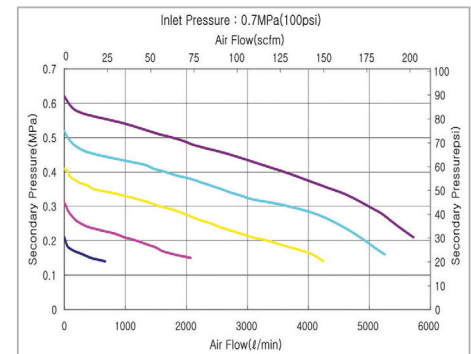
No.	Description	Material	Part No.
⑧	Valve ass'y	Nylon+NBR	PP4-08A001-01
⑨	Filter element	Polyethylene	PF4-24-005-01
⑩	Diaphragm ass'y	Nylon+NBR	PR4-11A001-01
⑪	Bowl O-ring	NBR	TAF4000-08-6000
⑫	Valve O-ring	NBR	PR3-04-001-01

## Dimensions



## Flow Characteristics

### ▶ 3/8" PP4



### ▶ 1/2" PP4

