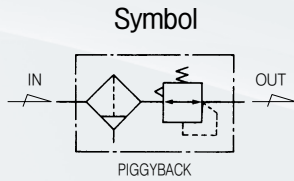


# PP3 Series Piggyback Filter/Regulator 1/4" and 3/8"



## Standard Specifications

Fluid	Air	
Max.operating pressure (MPa)	1.0(140psi)	
Proof pressure (MPa)	1.5(200psi)	
Set pressure range (MPa)	Standard	0.05 ~ 1.0(7~140psi)
	Made to order specifications	0.05 ~ 0.2(7~30psi) 0.05 ~ 0.4(7~60psi) 0.05 ~ 1.2(7~170psi)
Ambient and fluid temperature (°C)	-5 ~ 60(23~140°F) (Non-freezing)	
Flow capacity ※ (Nℓ/min)	1/4"	2,100(74scfm)
	3/8"	2,600(92scfm)
Filtration (μm)	5	
Construction	Relieving style	
Bowl material	Polycarbonate	
Bowl guard material	Nylon	
Drain capacity (cm <sup>3</sup> )	Manual drain:38(1.28oz), Auto drain:30(1.01oz)	
Weight (kg)	0.49(1.08lb)	

※ Test conditions : Supply pressure 0.7Mpa(100psi), Set pressure 0.6Mpa(90psi)

## How to order

**PP 3 — \* 03 B D G — \***

**Series**  
(Piggyback Unit)

**Thread**

Blank	Rc(PT)
N	NPT
G	G(PF)

**Port size**

02	1/4
03	3/8

**Bracket Options**

Blank	None
B	Bracket + Panel nut
B1	Panel nut

Note2) Separately packed, Not assembled.

### Other Options

Blank	Set at 0 to 1.0 MPa(140psi), 5μm (Standard)		
2	Set at 0 to 0.2 MPa(30psi)	J4	Filter element - 40μm
4	Set at 0 to 0.4 MPa(60psi)	K	Built-in Check Valve
12	Set at 0 to 1.2 MPa(170psi)	R	Flow direction : Right → Left
E	Non-relieving type	T	Tamper Resistant Kit
J2	Filter element - 20μm	XC16	Copper-free

Note1)

Note1,2)

Note1) Refer to page 85 for Built-in Check valve, Tamper resistant kit.  
 \* If ordering more than one option, indicate symbols numerically then alphabetically Ex) 2EK  
 \* Over Max. pressure value can be set.

### Pressure Gauge

Symbol	Description	Pressure range
Blank	None	
G	Integral pressure gauge (W/Limit Indicator)	1.0MPa(140psi)
P	Pressure gauge	1.0MPa(140psi)
P2	Pressure gauge	0.2MPa(30psi)
P4	Pressure gauge	0.4MPa(60psi)

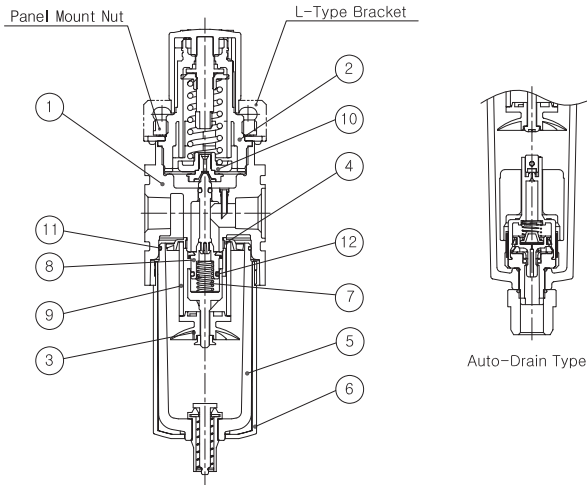
### Drain Options

Blank	Manual Push Drain
D	Auto Drain (N.O Type)

Note3)

Note3) Min.operating pressure is 0.15MPa(20psi) for Auto Drain (N.O Type)

### Construction



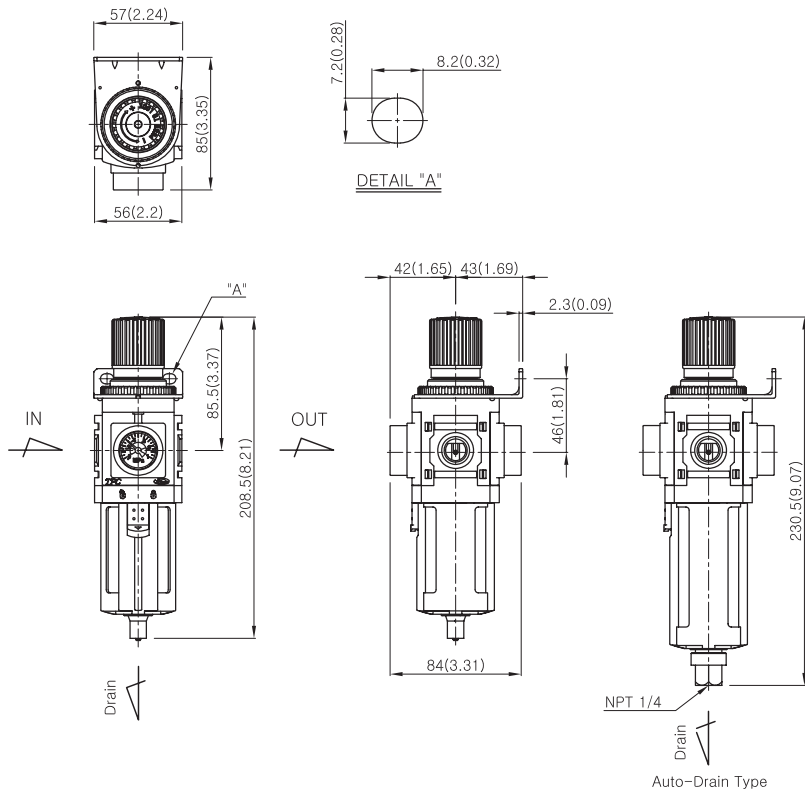
### Main Parts / Parts List

No.	Description	Material	Remarks
①	Body	Aluminum	
②	Bonnet	Nylon	
③	Baffle	Acetal	
④	Deflector	Nylon	
⑤	Bowl	Polycarbonate	
⑥	Bowl guard	Nylon	
⑦	Valve Spring	Stainless steel	

### Replacement Parts / Parts List

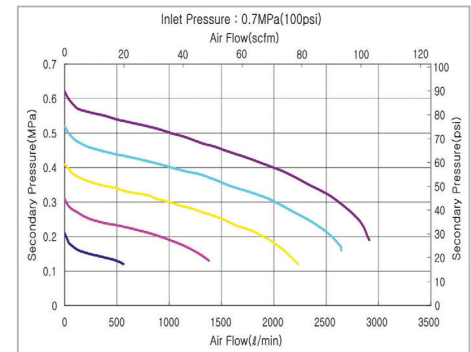
No.	Description	Material	Part No.
⑧	Valve ass'y	Nylon+NBR	PP3-08A001-01
⑨	Filter element	Polyethylene	PF3-24-005-01
⑩	Diaphragm ass'y	Nylon+NBR	PR3-11A001-01
⑪	Bowl O-ring	NBR	PL3-04-001
⑫	Valve O-ring	NBR	P10-01

### Dimensions

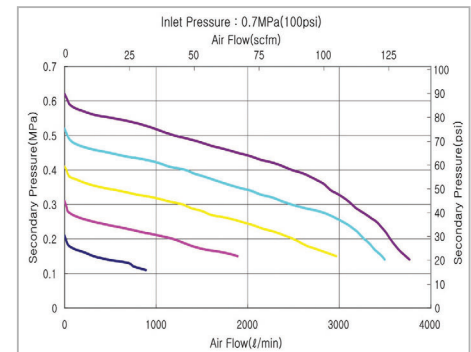


### Flow Characteristics

#### ▶ 1/4" PP3



#### ▶ 3/8" PP3



Piggyback Filter/Regulator