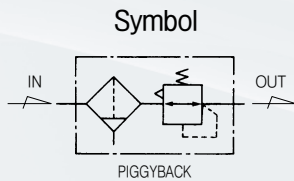


# PP2 Series Piggyback Filter/Regulator 1/8" and 1/4"



## Standard Specifications

Fluid	Air	
Max.operating pressure (MPa)	1.0(140psi)	
Proof pressure (MPa)	1.5(200psi)	
Set pressure range (MPa)	Standard	0.05 ~ 1.0(7~140psi)
	Made to order specifications	0.05~0.2(7~30psi), 0.05~0.4(7~60psi)
Ambient and fluid temperature (°C)	-5~60(23~140°Fpsi) (Non-freezing)	
Flow capacity ※ (Nℓ /min)	1/8 "	1,200(42scfm)
	1/4 "	1,300(46scfm)
Filtration (μm)	Standard : 5	
Construction	Relieving style	
Bowl material	Polycarbonate	
Bowl guard material	Nylon	
Drain capacity (cm <sup>3</sup> )	Manual drain : 15(0.51oz)	
	Auto drain : 20(0.68oz)	
Weight (kg)	0.23(0.5lb)	

※ Test conditions : Supply pressure 0.7Mpa(100psi), Set pressure 0.6Mpa(90psi)

## How to order

**PP 2 — \* 02 B D G — \***

Series (Piggyback Unit)

Thread

Blank	Rc(PT)
N	NPT
G	G(PF)

Port size

01	1/8
02	1/4

Bracket Options

Blank	None
B	Bracket + Panel nut
B1	Panel nut

Note2) Separately packed, Not assembled.

### Other Options

Blank	Set at 0 to 1.0 MPa(140psi), 5μm (Standard)		
2	Set at 0 to 0.2 MPa(30psi)	K	Built-in Check Valve
4	Set at 0 to 0.4 MPa(60psi)	R	Flow direction : Right → Left
E	Non-relieving type	T	Tamper Resistant Kit
J2	Filter element - 20μm	XC16	Copper-free
J4	Filter element - 40μm		

Note1) Refer to page 85 for Built-in Check valve, Tamper resistant kit.  
 \*If ordering more than one option, indicate symbols numerically then alphabetically Ex) 2EK  
 \*Over Max. pressure value can be set.

### Pressure Gauge

Symbol	Description	Pressure range
Blank	No-gauge	
G	Integral pressure gauge (W/Limit Indicator)	1.0MPa(140psi)
P	Pressure gauge	1.0MPa(140psi)
P2	Pressure gauge	0.2MPa(30psi)
P4	Pressure gauge	0.4MPa(60psi)

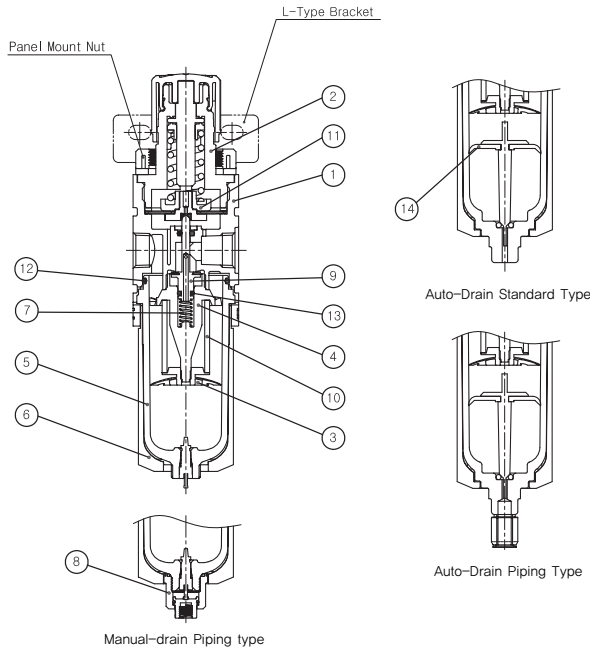
### Drain Options

Blank	Manual Push Drain
D	Auto Drain (N.O Type)
D2	Auto Drain (Piping exhaust)
D5	Manual Drain (Piping exhaust)

Note3)

Note3) Min.operating pressure is 0.15MPa (20psi) for Auto Drain (N.O Type)

## Construction



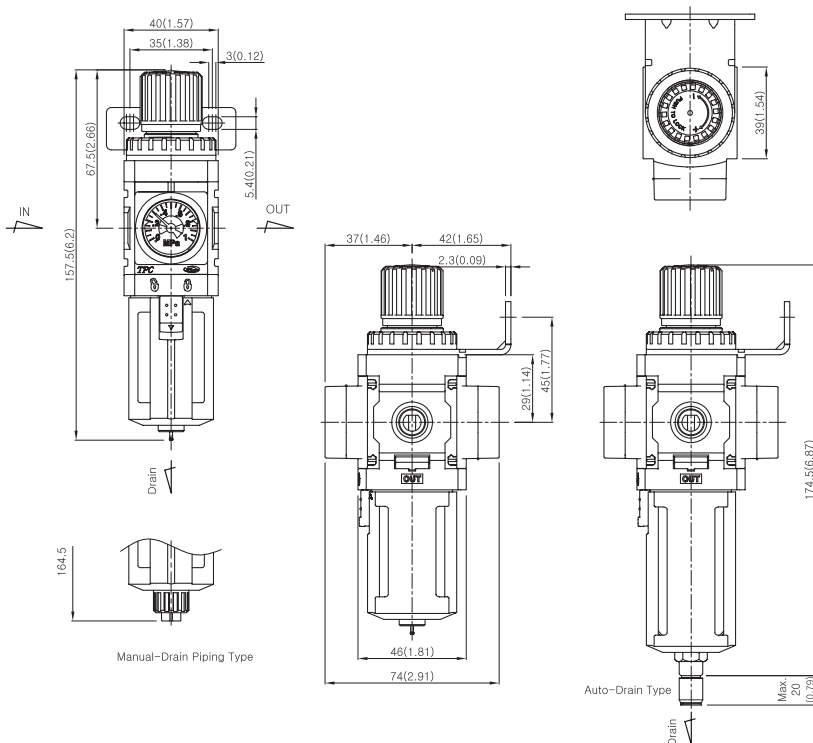
### Main Parts / Parts List

No.	Description	Material	Remarks
①	Body	Aluminum	
②	Bonnet	Nylon	
③	Baffle	Acetal	
④	Deflector	Nylon	
⑤	Bowl	Polycarbonate	
⑥	Bowl guard	Nylon	
⑦	Valve Spring	Stainless steel	
⑧	Manual-drain pipe Ass'y		

### Replacement Parts / Parts List

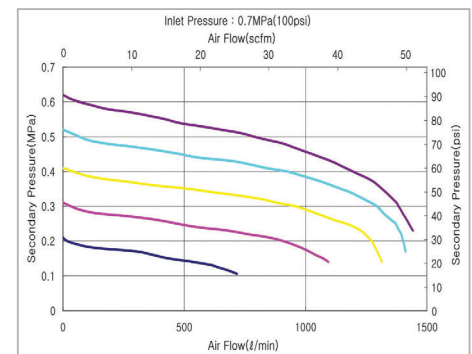
No.	Description	Material	Part No.
⑨	Valve ass'y	Brass+NBR	PP2-08-001-01
⑩	Filter element	Polyethylene	PF2-24-005-01
⑪	Diaphragm ass'y	Nylon+NBR	PR2-11A001-01
⑫	Bowl O-ring	NBR	DX2R-53-3000
⑬	Valve O-ring	NBR	S4-01
⑭	Auto-drain ass'y	-	PF2-26A002-01

## Dimensions



## Flow Characteristics

### ▶ 1/8" PP2



### ▶ 1/4" PP2

