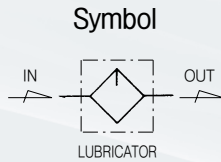


PL5 Series Lubricator 3/4" and 1"

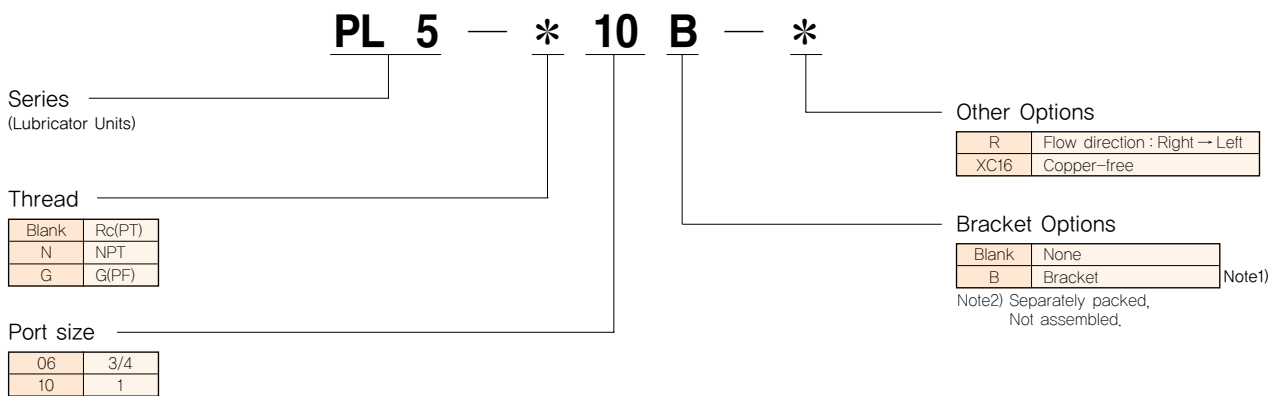


Standard Specifications

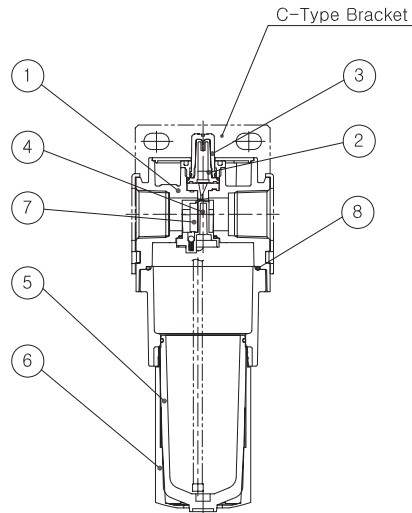
Fluid	Air	
Max. operating pressure (MPa)	1.0(140psi)	
Proof pressure (MPa)	1.5(200psi)	
Min operating flow (N ℓ /min)	150(5.3scfm) (1")	
Bowl capacity (cm ³)	109(3.69oz)	
Ambient and fluid temperature (°C)	-5~60(23~140°F) (Non-freezing)	
Flow rate ※ (N ℓ /min)	3/4"	9,400(332scfm)
	1"	9,900(350scfm)
Bowl material	Polycarbonate	
Bowl guard material	Nylon	
Recommended oil	ISO VG32 (Turbine oil 1 class)	
Weight (kg)	1.08(2.38lb)	

※ Test conditions : Supply pressure 0.6 MPa(90psi), Pressure drop 0.05 MPa(7psi)

How to order



Construction



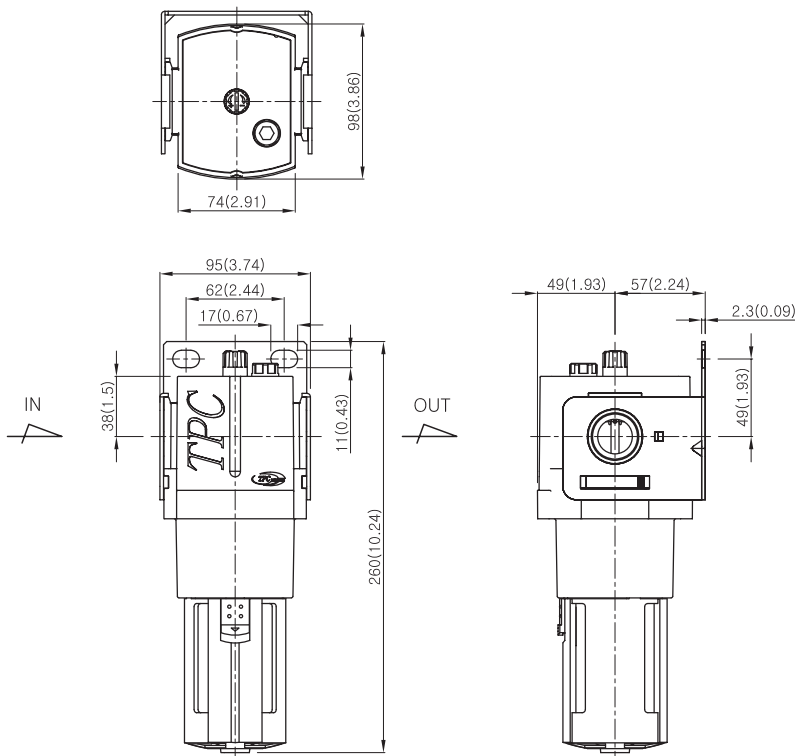
Main Parts / Parts List

No.	Description	Material	Remarks
①	Body	Aluminum	
②	Inner sight dome	Nylon (transparent)	
③	Outer sight dome	Nylon (transparent)	
④	Damper plate	Acetal	
⑤	Bowl	Polycarbonate	
⑥	Bowl guard	Nylon	

Replacement Parts / Parts List

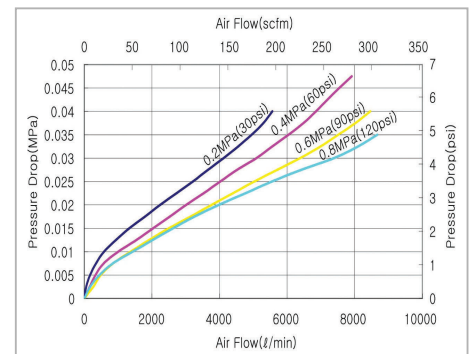
No.	Description	Material	Part No.
⑦	Damper	NBR	PL5-34-001-01
⑧	Bowl O-ring	NBR	TAF4000-08-6000

Dimensions



Flow Characteristics

▶ 3/4" PL5



▶ 1" PL5

