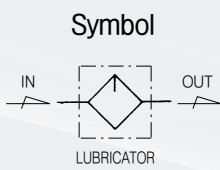


# PL3 Series Lubricator 1/4" and 3/8"



## Standard Specifications

|                                    |                                |                |
|------------------------------------|--------------------------------|----------------|
| Fluid                              | Air                            |                |
| Max. operating pressure (MPa)      | 1.0(140psi)                    |                |
| Proof pressure (MPa)               | 1.5(200psi)                    |                |
| Min operating flow (Nℓ/min)        | 40(1.4scfm) (3/8")             |                |
| Bowl capacity (cm <sup>3</sup> )   | 56(1.89oz)                     |                |
| Ambient and fluid temperature (°C) | -5~60(23~140°F) (Non-freezing) |                |
| Flow capacity (Nℓ/min) ※           | 1/4"                           | 2,100(74scfm)  |
|                                    | 3/8"                           | 3,100(109scfm) |
| Bowl material                      | Polycarbonate                  |                |
| Bowl guard material                | Nylon                          |                |
| Recommended oil                    | ISO VG32 (Turbine oil 1 class) |                |
| Weight (kg)                        | 0.26(0.57lb)                   |                |

※ Test conditions : Supply pressure 0.6 MPa(90psi), Pressure drop 0.05 MPa(7psi)

## How to order

**PL 3 — \* 03 B — \***

Series (Lubricator Units) ————

Thread ————

|       |        |
|-------|--------|
| Blank | Rc(PT) |
| N     | NPT    |
| G     | G(PF)  |

Port size ————

|    |     |
|----|-----|
| 02 | 1/4 |
| 03 | 3/8 |

Other Options

|      |                               |
|------|-------------------------------|
| R    | Flow direction : Right → Left |
| XC16 | Copper-free                   |

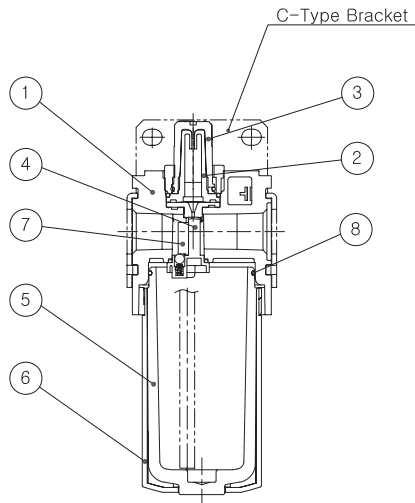
Bracket Options

|       |         |
|-------|---------|
| Blank | None    |
| B     | Bracket |

Note1) Separately packed, Not assembled.

Lubricator

## Construction



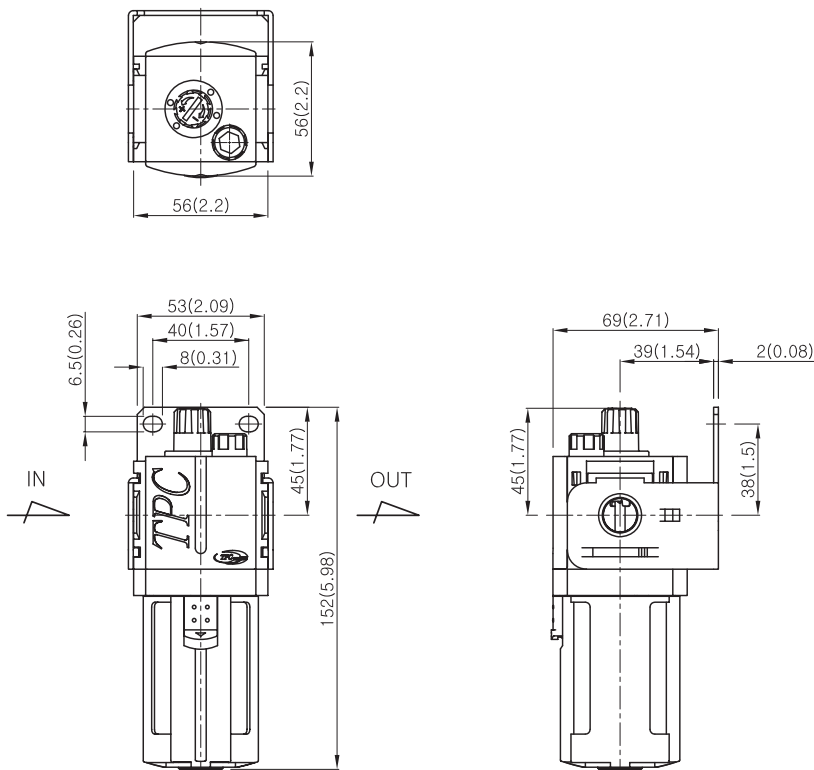
### Main Parts / Parts List

| No. | Description      | Material            | Remarks |
|-----|------------------|---------------------|---------|
| ①   | Body             | Aluminum            |         |
| ②   | Inner sight dome | Nylon (transparent) |         |
| ③   | Outer sight dome | Nylon (transparent) |         |
| ④   | Damper plate     | Acetal              |         |
| ⑤   | Bowl             | Polycarbonate       |         |
| ⑥   | Bowl guard       | Nylon               |         |

### Replacement Parts / Parts List

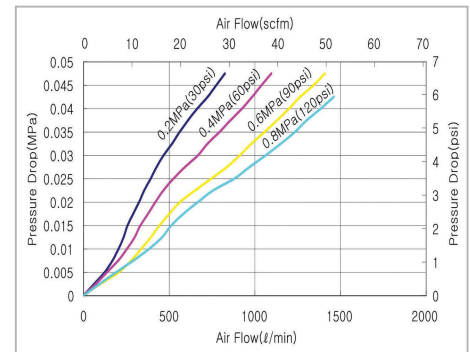
| No. | Description | Material | Part No.      |
|-----|-------------|----------|---------------|
| ⑦   | Damper      | NBR      | PL3-34-001-01 |
| ⑧   | Bowl O-ring | NBR      | PL3-04-001-01 |

## Dimensions



## Flow Characteristics

### ▶ 1/4" PL3



### ▶ 3/8" PL3

