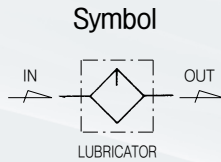


PL2 Series Lubricator 1/8" and 1/4"



Standard Specifications

Fluid	Air	
Max. operating pressure (MPa)	1.0(140psi)	
Proof pressure (MPa)	1.5(200psi)	
Min operating flow (Nℓ/min)	15(0.5scfm)(1/4")	
Bowl capacity (cm ³)	18(0.61oz)	
Ambient and fluid temperature (°C)	-5~60(23~140°F) (Non-freezing)	
Flow capacity (Nℓ/min) ※	1/8"	900(32scfm)
	1/4"	1,600(57scfm)
Bowl material	Polycarbonate	
Bowl guard material	Nylon	
Recommended oil	ISO VG32 (Turbine oil 1 class)	
Weight (kg)	0.14(0.31lb)	

※ Test conditions : Supply pressure 0.6 MPa(90psi), Number of drop-0.05 MPa(7psi)

How to order

PL 2 — * 02 B — *

Series (Lubricator Units) — PL 2

Thread — 2

Blank	Rc(PT)
N	NPT
G	G(PF)

Port size — 02

01	1/8
02	1/4

Other Options — *

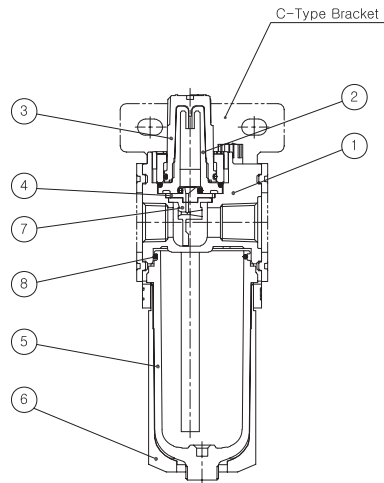
R	Flow direction: Right → Left
XC16	Copper-free

Bracket Options — *

Blank	None
B	Bracket

Note1) Separately packed, Not assembled.

Construction



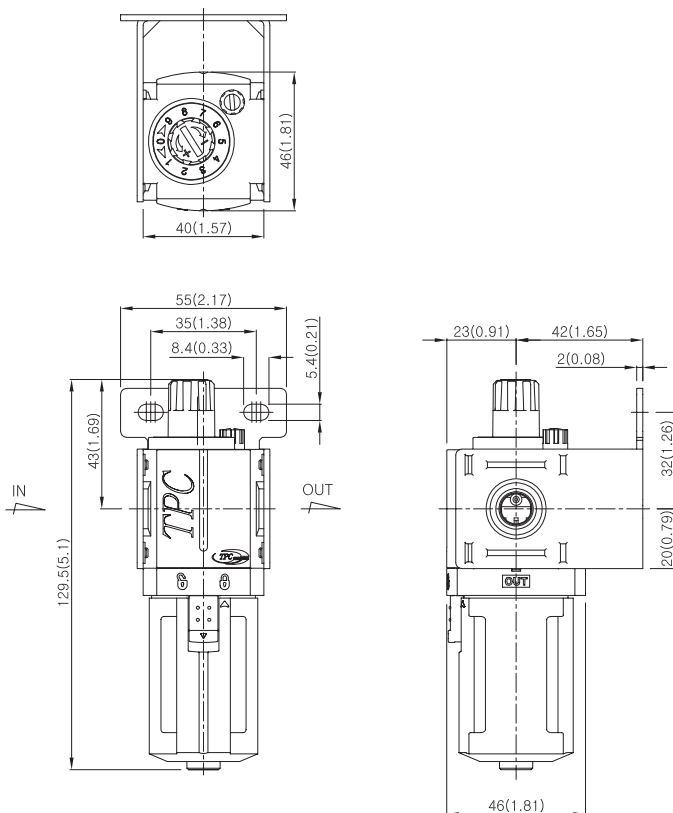
Main Parts / Parts List

No.	Description	Material	Remarks
①	Body	Aluminum	
②	Inner sight dome	Nylon (clear)	
③	Outer sight dome	Nylon (clear)	
④	Damper plate	Acetal	
⑤	Bowl	Polycarbonate	
⑥	Bowl guard	Nylon	

Replacement Parts / Parts List

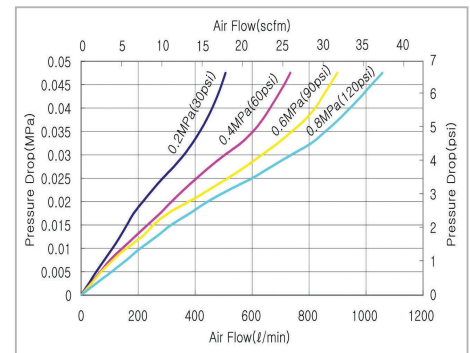
No.	Description	Material	Part No.
⑦	Damper	NBR	PL2-34-001-01
⑧	Bowl O-ring	NBR	DX2R-53-3000

Dimensions



Flow Characteristics

▶ 1/8" PL2



▶ 1/4" PL2

