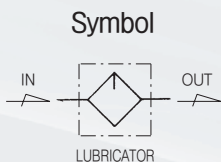


# PL2 Series

## Lubricator 1/8" and 1/4"

Lubricator



### Standard Specifications

Fluid	Air	
Max. operating pressure (MPa)	1.0(140psi)	
Proof pressure (MPa)	1.5(200psi)	
Min operating flow (Nℓ /min)	15(0.5scfm)(1/4")	
Bowl capacity (cm <sup>3</sup> )	18(0.61oz)	
Ambient and fluid temperature (°C)	-5~60(23~140°F) (Non-freezing)	
Flow capacity (Nℓ /min) ※	1/8"	900(32scfm)
	1/4"	1,600(57scfm)
Bowl material	Polycarbonate	
Bowl guard material	Nylon	
Recommended oil	ISO VG32 (Turbine oil 1 class)	
Weight (kg)	0.14(0.31lb)	

※ Test conditions : Supply pressure 0.6 MPa(90psi), Number of drop=0.05 MPa(7psi)

### How to order

**PL 2 — \* 02 B — \***

Series (Lubricator Units) —————

Thread —————

Blank	Rc(PT)
N	NPT
G	G(PF)

Port size —————

01	1/8
02	1/4

Other Options

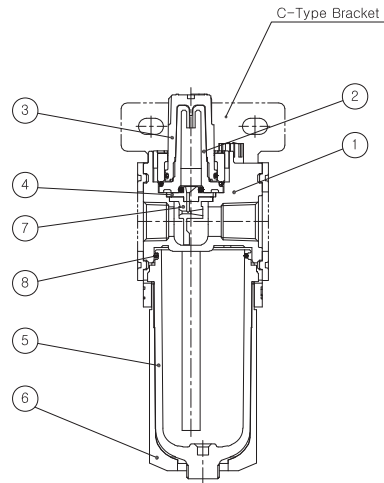
R	Flow direction: Right → Left
XC16	Copper-free

Bracket Options

Blank	None
B	Bracket

Note1) Separately packed, Not assembled.

## Construction



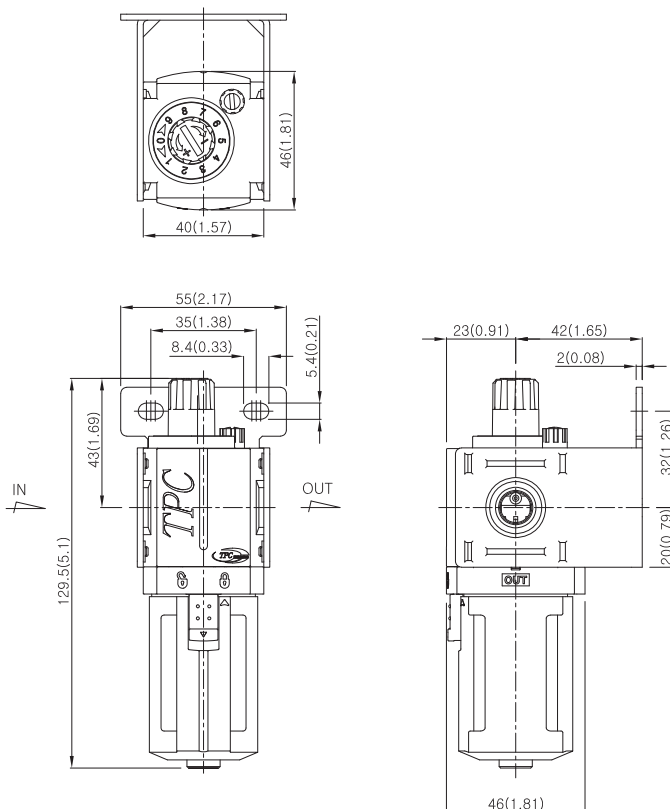
### Main Parts / Parts List

No.	Description	Material	Remarks
①	Body	Aluminum	
②	Inner sight dome	Nylon (clear)	
③	Outer sight dome	Nylon (clear)	
④	Damper plate	Acetal	
⑤	Bowl	Polycarbonate	
⑥	Bowl guard	Nylon	

### Replacement Parts / Parts List

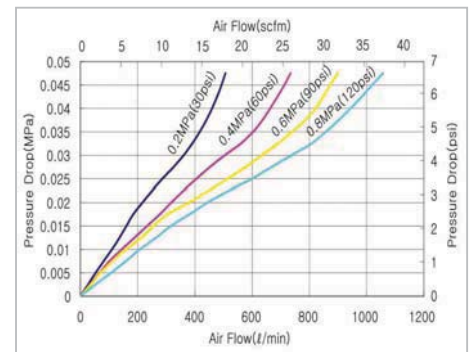
No.	Description	Material	Part No.
⑦	Damper	NBR	PL2-34-001-01
⑧	Bowl O-ring	NBR	DX2R-53-3000

## Dimensions

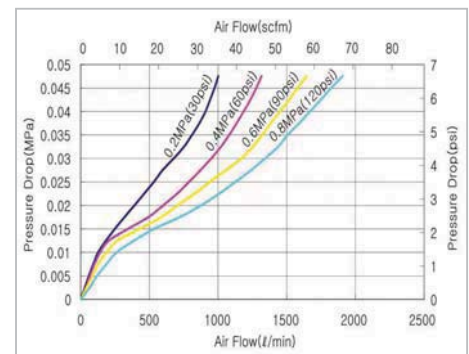


## Flow Characteristics

### ► 1/8" PL2

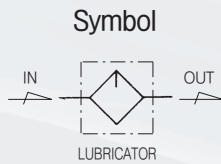


### ► 1/4" PL2



# PL3 Series

## Lubricator 1/4" and 3/8"



### Standard Specifications

Fluid	Air	
Max. operating pressure (MPa)	1.0(140psi)	
Proof pressure (MPa)	1.5(200psi)	
Min operating flow (Nℓ /min)	40(1.4scfm) (3/8")	
Bowl capacity (cm <sup>3</sup> )	56(1.89oz)	
Ambient and fluid temperature (°C)	-5~60(23~140°F) (Non-freezing)	
Flow capacity (Nℓ /min) ※	1/4"	2,100(74scfm)
	3/8"	3,100(109scfm)
Bowl material	Polycarbonate	
Bowl guard material	Nylon	
Recommended oil	ISO VG32 (Turbine oil 1 class)	
Weight (kg)	0.26(0.57lb)	

※ Test conditions : Supply pressure 0.6 MPa(90psi), Pressure drop 0.05 MPa(7psi)

Lubricator

### How to order

**PL 3 — \* 03 B — \***

Series (Lubricator Units) —————

Thread —————

Blank	Rc(PT)
N	NPT
G	G(PF)

Port size —————

02	1/4
03	3/8

Other Options

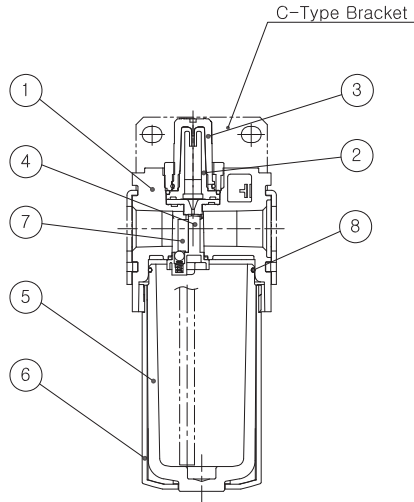
R	Flow direction : Right → Left
XC16	Copper-free

Bracket Options

Blank	None
B	Bracket

Note1) Separately packed, Not assembled.

## Construction



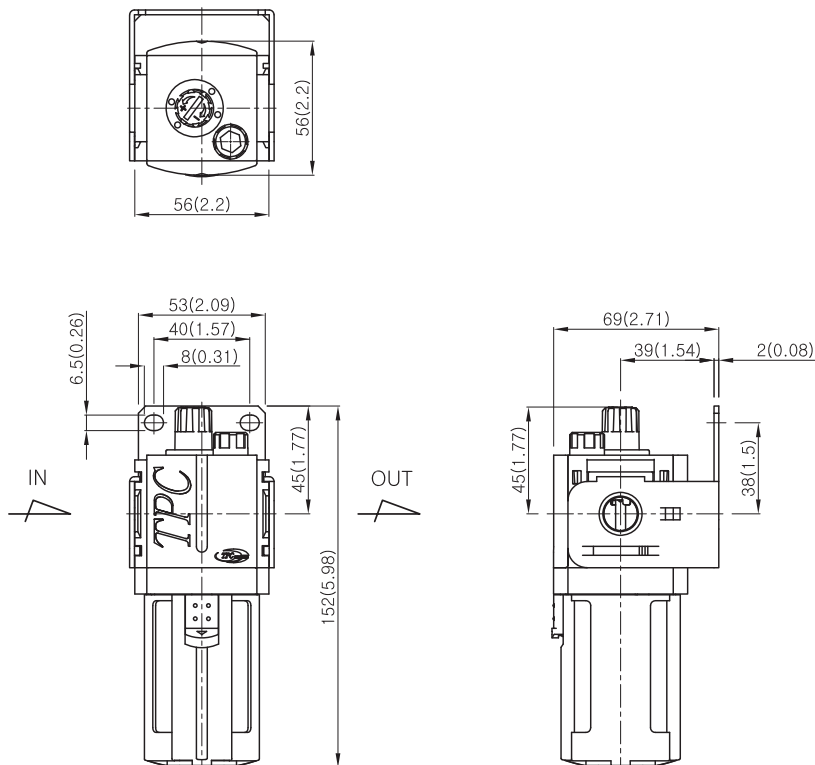
### Main Parts / Parts List

No.	Description	Material	Remarks
①	Body	Aluminum	
②	Inner sight dome	Nylon (transparent)	
③	Outer sight dome	Nylon (transparent)	
④	Damper plate	Acetal	
⑤	Bowl	Polycarbonate	
⑥	Bowl guard	Nylon	

### Replacement Parts / Parts List

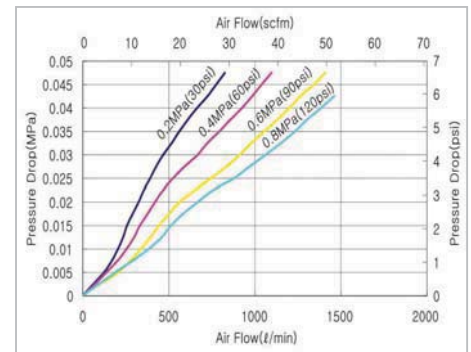
No.	Description	Material	Part No.
⑦	Damper	NBR	PL3-34-001-01
⑧	Bowl O-ring	NBR	PL3-04-001-01

## Dimensions

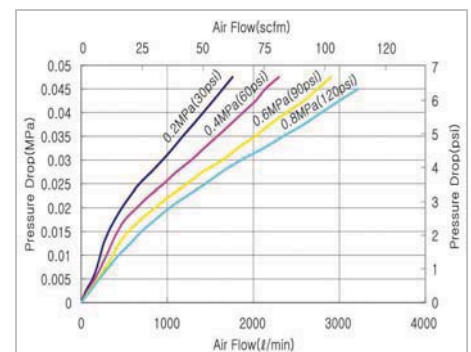


## Flow Characteristics

### ▶ 1/4" PL3

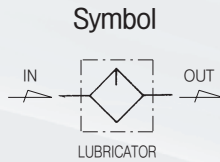


### ▶ 3/8" PL3



# PL4 Series

## Lubricator 3/8" and 1/2"



### Standard Specifications

Fluid	Air	
Max. operating pressure (MPa)	1.0(140psi)	
Proof pressure (MPa)	1.5(200psi)	
Min operating flow (Nℓ /min)	50(1.8scfm) (1/2" )	
Bowl capacity (cm <sup>3</sup> )	127(4.29oz)	
Ambient and fluid temperature (°C)	-5~60(23~140°F) (Non-freezing)	
Flow capacity (Nℓ /min) ※	3/8"	2,400(85scfm)
	1/2"	4,500(159scfm)
Bowl material	Polycarbonate	
Bowl guard material	Nylon	
Recommended oil	ISO VG32 (Turbine oil 1 class)	
Weight (kg)	0.54(1.19lb)	

※ Test conditions : Supply pressure 0.6 MPa(90psi), Pressure drop 0.05 MPa(7psi)

### How to order

**PL 4 — \* 04 B — \***

Series (Lubricator Units) — PL 4

Thread — \* 04

Blank	Rc(PT)
N	NPT
G	G(PF)

Port size — 04

03	3/8
04	1/2

Other Options — \*

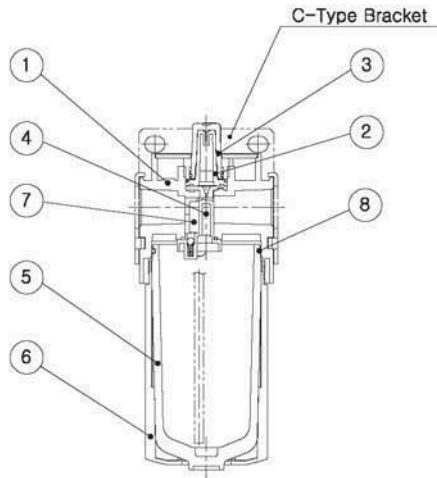
R	Flow direction : Right → Left
XC16	Copper-free

Bracket Options — \*

Blank	None
B	Bracket

Note1) Separately packed, Not assembled.

## Construction



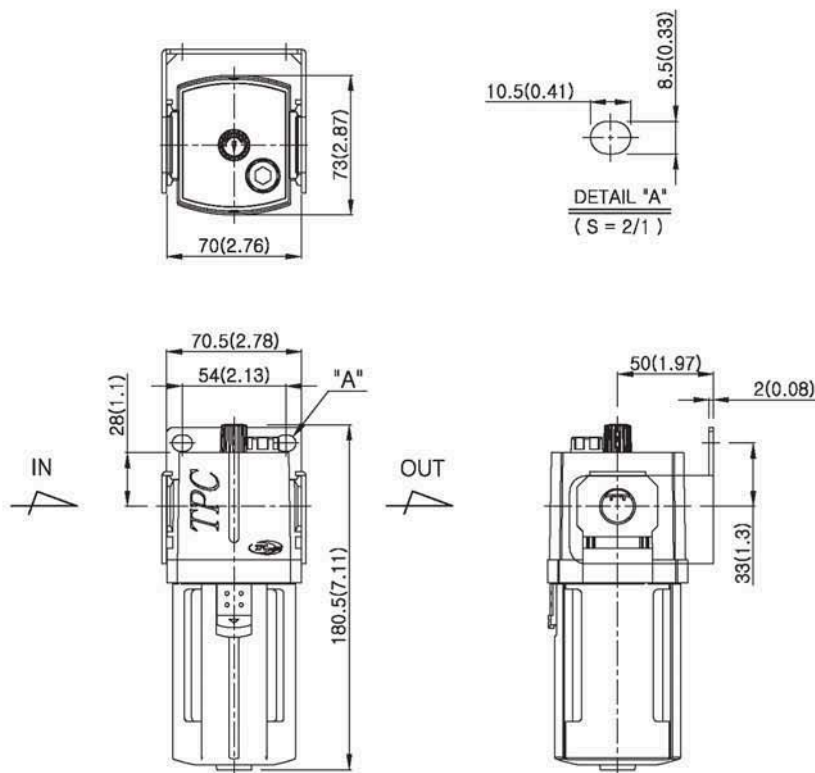
### Main Parts / Parts List

No.	Description	Material	Remarks
①	Body	Aluminum	
②	Inner sight dome	Nylon(transparent)	
③	Outer sight dome	Nylon(transparent)	
④	Damper plate	Acetal	
⑤	Bowl	Polycarbonate	
⑥	Bowl guard	Nylon	

### Replacement Parts / Parts List

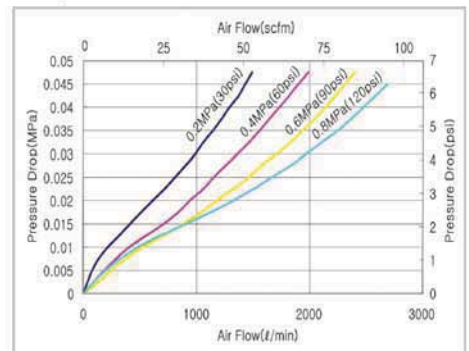
No.	Description	Material	Part No.
⑦	Damper	NBR	PL4000-14-6100-01
⑧	Bowl O-ring	NBR	TAF4000-08-6000

## Dimensions

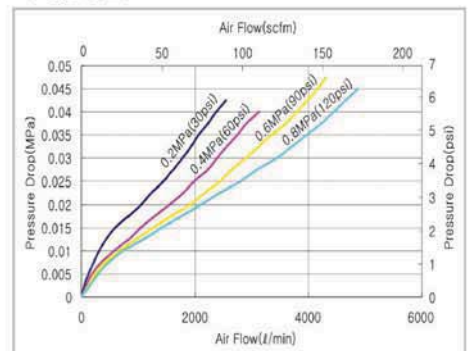


## Flow Characteristics

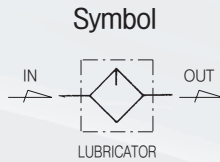
### ▶ 3/8" PL4



### ▶ 1/2" PL4



# PL5 Series Lubricator 3/4" and 1"



## Standard Specifications

Fluid	Air	
Max. operating pressure (MPa)	1.0(140psi)	
Proof pressure (MPa)	1.5(200psi)	
Min operating flow (Nℓ /min)	150(5.3scfm) (1" )	
Bowl capacity (cm <sup>3</sup> )	109(3.69oz)	
Ambient and fluid temperature (°C)	-5~60(23~140°F) (Non-freezing)	
Flow rate ※ (Nℓ /min)	3/4"	9,400(332scfm)
	1"	9,900(350scfm)
Bowl material	Polycarbonate	
Bowl guard material	Nylon	
Recommended oil	ISO VG32 (Turbine oil 1 class)	
Weight (kg)	1.08(2.38lb)	

※ Test conditions : Supply pressure 0.6 MPa(90psi), Pressure drop 0.05 MPa(7psi)

## How to order

**PL 5 — \* 10 B — \***

Series (Lubricator Units) —————

Thread —————

Blank	Rc(PT)
N	NPT
G	G(PF)

Port size —————

06	3/4
10	1

Other Options

R	Flow direction: Right → Left
XC16	Copper-free

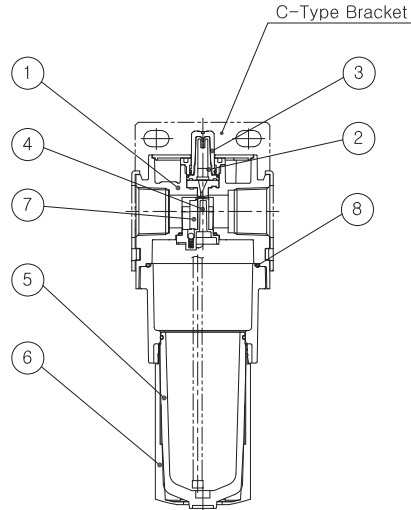
Bracket Options

Blank	None
B	Bracket

Note1)

Note2) Separately packed,  
Not assembled.

## Construction



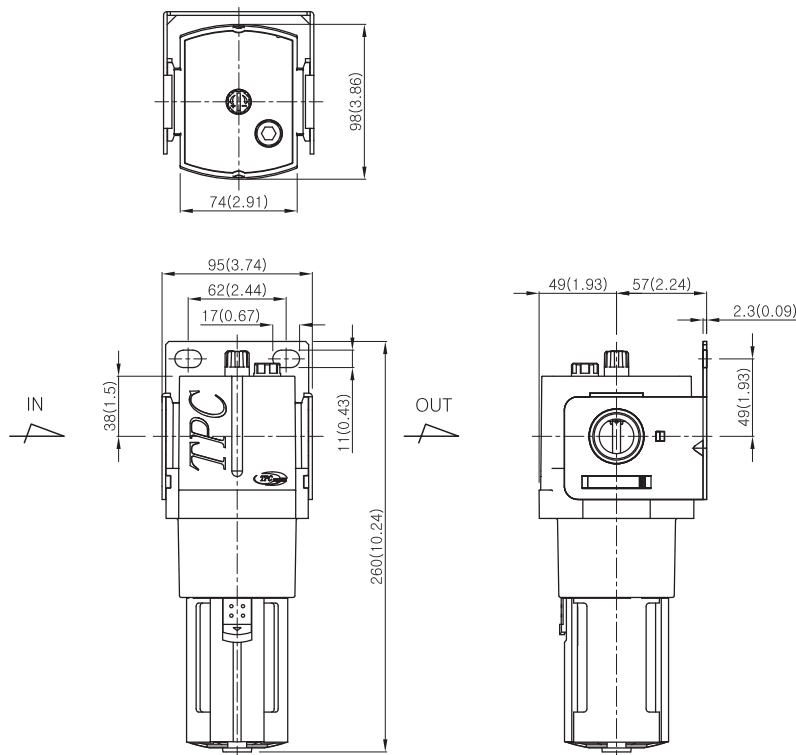
### Main Parts / Parts List

No.	Description	Material	Remarks
①	Body	Aluminum	
②	Inner sight dome	Nylon(transparent)	
③	Outer sight dome	Nylon(transparent)	
④	Damper plate	Acetal	
⑤	Bowl	Polycarbonate	
⑥	Bowl guard	Nylon	

### Replacement Parts / Parts List

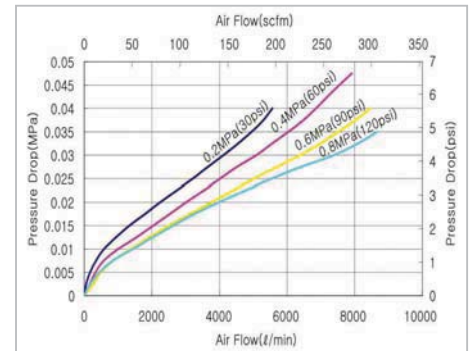
No.	Description	Material	Part No.
⑦	Damper	NBR	PL5-34-001-01
⑧	Bowl O-ring	NBR	TAF4000-08-6000

## Dimensions



## Flow Characteristics

### ▶ 3/4" PL5



### ▶ 1" PL5

