

GTEK AUTOMATION

A Division of Pacific Air Engineering, Inc.

MODEL GTA-10RNS to GTA-20RNS (BRUSH LESS TYPE) AIR/VACUUM PUMP

TECHNICAL DATA

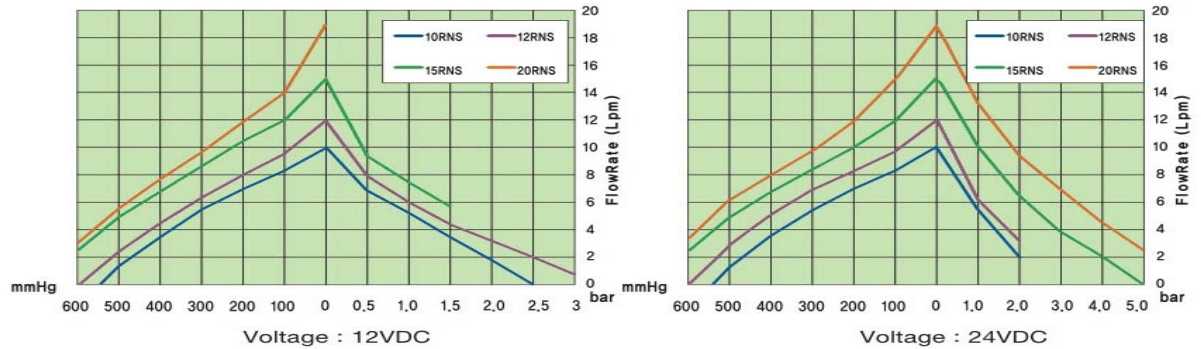
P/N:	GTA-10RNS		GTA-12RNS		GTA-15RNS		GTA-20RNS	
Voltage:	12VDC	24VDC	12VDC	24VDC	12VDC	24VDC	12VDC	24VDC
Rated Current:	1.7 A	1.0 A	2.5 A	1.2 A	3.1 A	1.6 A	3.1 A	2.1 A
Open Flow Air Output:	0.35 CFM (10 LPM)		0.42 CFM (12 LPM)		0.53 CFM (15 LPM)		0.71 CFM (20 LPM)	
Max. Vacuum	19.29 InHg (490 mmHg)		21.26 InHg (540 mmHg)		23.61 InHg (600 mmHg)		25.59 InHg (650 mmHg)	
Max. Pressure	29 PSI (2 Bar)		36 PSI (2.5 Bar)		14 PSI (1 Bar)	65 PSI (4.5 Bar)	N/A	87 PSI (6 Bar)
Dimensions:	4.88" L x 4.17" H x 2.91" W (124mm L x 106mm H x 74mm W)							
Weight:	1.76 LBS (0.8 Kg)							
Motor Type	DC Motor, Brush Less Type, 2,500 RPM, Ins. Class E							
Connection Type:	Tubing Type: Tubing Size: I.D. To be less than 5/16" (8mm) or 1/8" NPT (Add -DB1 to End of P/N)							
Driver Type:	Internal							

* To Order Please Use P/N-Motor Type-Voltage. IE: P/N GTA-10RNS-BL-12VDC or GTA-10RNS-BL-24VDC-DB1.

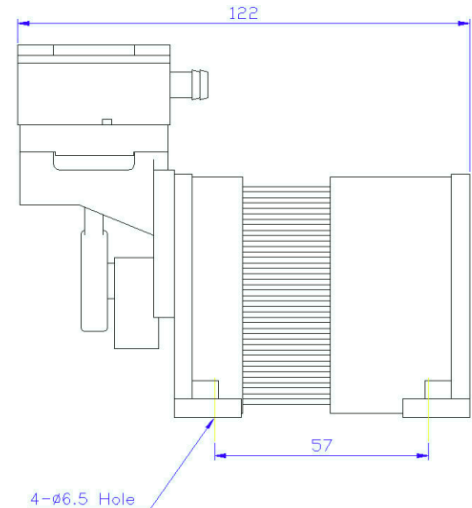
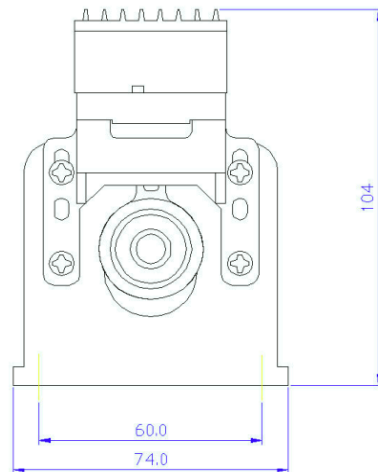
Output Air Flow



Single Head type



Single Head w/-DB1 Option for 1/8" F NPT Inlet/Outlet



GTEK AUTOMATION

A Division of Pacific Air Engineering, Inc.

26212 Dimension Drive, Suite 150, Lake Forest, CA 92630

Ph. 949-680-4242, Fax. 949-680-4243, Email: Sales@Gtek-Automation.com

Web Site: Gtek-Automation.com