

“ME” and “ML” Series for Medical Devices

Technology Overview



The **FasTest ME** and **ML Series** are specifically designed for medical device testing.

- Host Material - Clear bright dipped anodized aluminum host material. Stainless steel offered as an option
- Seal Materials - White FDA Neoprene or FDA listed fluorocarbon main seals
- Cleaning - All parts are washed in an aqueous solution utilizing ultrasonic agitation at a temperature of 140 degrees F. Components are then rinsed in a cascading rinse tank and dried using 99.999% Nitrogen Controlled Environment – Assembled in a Clean Room defined as a 100,000 ppm level controlled environment
- Components Inspection & Assembly - Pre-assembly inspection of all components. Assembled, tested and placed in double bag packaging inside controlled environment
- Lubrication – Krytox is the standard lubricant. Krytox is FDA approved for oxygen service applications. Petroleum jelly is the alternate lubricant upon request
- Certification - White FDA Neoprene main seal material to be compliant to 21CFR177.2600. We also utilize FDA listed fluorocarbon seal material

ME - ML

Medical External - “ME Series”

- For external sealing of Catheters, Lumens, Luers and other cylindrical parts
- Test pressure ranges from vacuum to 500 psi
- Clear anodized aluminum construction



ME Medical Series Connectors seal conventional and non-standard surfaces of tubes, luers, catheters and other smooth or threaded parts. Compressed air activates the elastomeric seal for testing to 500 psi.

Uniform seal movement makes a leak-proof connection. Testing, filling or flushing, using air, gas or liquid, of the test piece is accomplished by introducing the media through the **FasTest** connector.

Medical Luer - “ML Series”

- For fixturing and sealing of male or female Luer fittings
- Test pressure ranges from vacuum to 500 psi
- Clear anodized aluminum construction

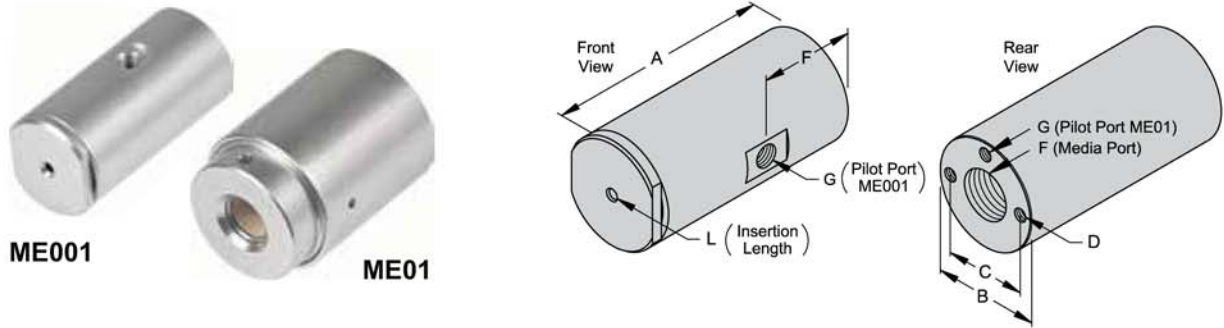


ML Medical Series Connectors are specifically designed to test many types of luers. **FasTest's** proprietary hold and seal design secures the luer while a special piston seals the internal portion of the luer.

ML series connectors can be used manually or automated with sealing pressures to 500 psi. Actual pressure will vary based on the type of luer.

“ME” and “ML” Series for Medical Devices

FasTest Medical External “ME “ - Connectors for External Sealing of Cylindrical Parts



Medical External (ME) Connectors - English Mounting Holes and Pilot Ports

Part Number	Sealing Range	Dim A	Dim B	Dim C	Dim D	Dim E	Dim F	Dim G	Dim L	Repair Kit	Main Seal Set*	Main Seals Package (5)
ME001-0030	0.015"-0.030"	1.72"	0.84"	0.63"	4-40 UNC	0.72"	1/8" NPT	10-32 UNF	0.16"	MER001	MES001-0030	MEB001-0030
ME001-0050	0.030"-0.050"										MES001-0050	MEB001-0050
ME001-001	0.050"-0.080"										MES001-001	MEB001-001
ME001-002	0.080"-0.130"										MES001-002	MEB001-002
ME01-01	0.100"-0.180"	2.05"	1.49"	1.10"	10-32 UNF	N/A	1/8" NPT	10-32 UNF	1.58"	MER01	MES01-01	MEB01-01
ME01-02	0.180"-0.260"										MES01-02	MEB01-02
ME01-03	0.260"-0.340"										MES01-03	MEB01-03
ME01-04	0.340"-0.420"										MES01-04	MEB01-04
ME01-05	0.420"-0.510"										MES01-05	MEB01-05

Medical External (ME) Connectors - Metric Mounting Holes and Pilot Ports

Part Number	Sealing Range (mm)	Dim A	Dim B	Dim C	Dim D	Dim E	Dim F	Dim G	Dim L	Repair Kit	Main Seal Set*	Main Seals Package (5)
ME001-0030M	0.38-0.80	1.72"	0.84"	0.63"	M2.5	0.72"	1/8" BSPP	M5	0.16"	MER001	MES001-0030	MEB001-0030
ME001-0050M	0.80-1.30										MES001-0050	MEB001-0050
ME001-001M	1.30-2.00										MES001-001	MEB001-001
ME001-002M	2.00-3.30										MES001-002	MEB001-002
ME01-01M	2.50-4.60	2.05"	1.49"	1.10"	M5	N/A	1/8" BSPP	M5	1.58"	MER01	MES01-01	MEB01-01
ME01-02M	4.60-6.60										MES01-02	MEB01-02
ME01-03M	6.60-8.60										MES01-03	MEB01-03
ME01-04M	8.60-10.70										MES01-04	MEB01-04
ME01-05M	10.70-13.00										MES01-05	MEB01-05

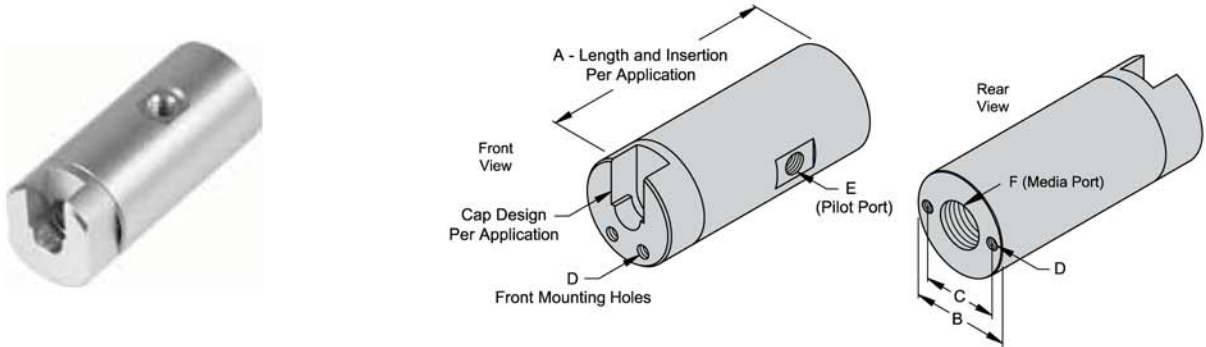
*Includes seals(s) and metal parts for one complete seal change.

Notes:

Above ME's available in optional stainless steel by adding SS to the part number. Example: ME01-01SS

“ME” and “ML” Series for Medical Devices

FasTest Medical Luer “ML” - Connectors for External Sealing of Luers



ME - ML

Medical Luer (ML) Connectors - English Mounting Holes and Pilot Ports

Part Number	Sealing Range	Dim A	Dim B	Dim C	Dim D	Dim E	Dim F	Repair Kit	Main Seal Set	Main Seals Package (5)
ML001- ...	Sized to Part	Application Dependent	0.84"	0.63"	4-40 UNC	10-32 UNF	1/8" NPT	MER001	Sized to Part	Sized to Part

Medical Luer (ML) Connectors - Metric Mounting Holes and Pilot Ports

Part Number	Sealing Range	Dim A	Dim B	Dim C	Dim D	Dim E	Dim F	Repair Kit	Main Seal Set	Main Seals Package (5)
ML001- ... M	Sized to Part	Application Dependent	0.84"	0.63"	M2.5	M5	1/8" BSPP	MER001	Sized to Part	Sized to Part

Notes:

The Medical Luer “**ML Series**” connectors are designed to your specific application requirements.

To obtain a part number and price quotation:

- Contact **FasTest** with details regarding your application such as test pressure, media and tolerances (detailed drawing preferred).
- Provide two sample parts for design and testing purposes.