

## Custom Connectors

### FasTest "70 Series" - Connectors for a Variety of Tube Features

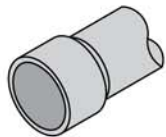
#### Technology Overview

The **70 Series** connectors have a sliding sleeve and threaded collet design for instantly sealed connections from vacuum to 750 psi. The design incorporates an internal piston that seals the mating part and enhances the seal as pressure increases. Connections are made with a simple push and snap motion.

The internal sealing piston provides a straight through flow for minimal restriction and pressure loss. Standard products are manufactured in stainless steel with Buna N seals. Other seal materials and custom designs are available for all your applications.



#### Features and Benefits



Expanded Tube



Flared Tube



Barbed Tube



Beaded Tube



Formed End Tube

- Connect to fittings, expanded, flared, barbed, beaded and formed end tubes
- Instant connections from vacuum to 750 psi eliminate tape, sealant, wrenches and part damage

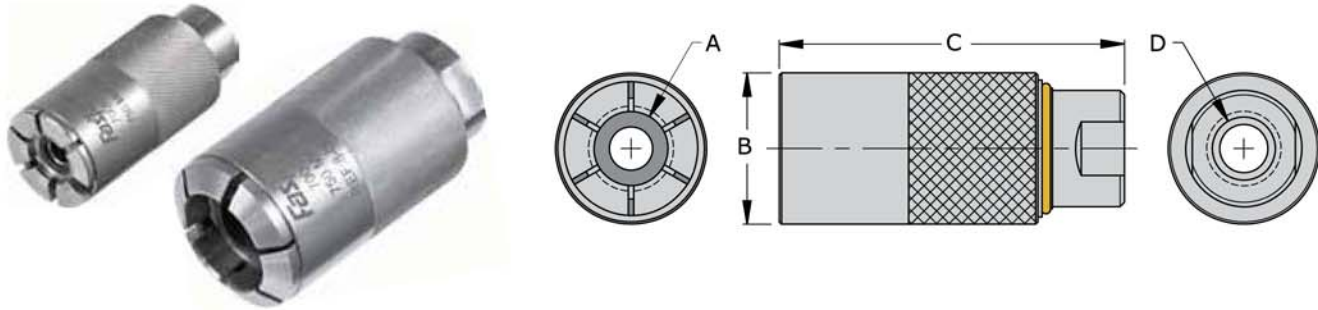
- High flow design for short filling and testing times
- Rugged stainless steel housing
- -40°F to +250°F operating temperature



#### For Custom External Connections

## Custom Connectors

### FasTest "70 Series" - Connectors for a Variety Fittings and Tubes



#### "70 Series" Sleeve Actuated for Expanded, Flared, Barbed, Beaded and Formed End Tubes

Body Size	Range (OD) Dim A	Dim B	Dim C	Dim D	Rated PSI	Housing Material	Seal Material	Main Seals Package (5)
1	Up to 0.32"	0.87"	2.95"	1/8" NPT	Vacuum to 750	Stainless Steel	Determined by application	Determined by application
2	0.32" to 0.43"	0.99"		1/4" NPT				
3	0.43" to 0.59"	1.19"		3/8" NPT				
4	0.59" to 0.79"	1.38"	3.15"	1/2" NPT				
5	0.79" to 0.98"	1.58"		3/4" NPT				
6	0.98" to 1.18"	1.78"	3.54"	1" NPT				
7	1.18" to 1.42"	1.97"		1-1/4" NPT				
8	1.42" to 1.65"	2.17"						
9	1.65" to 1.85"	2.36"	3.54"					
10	1.85" to 2.04"	2.76"						

#### How to Order

The 70 Series connectors are designed for mechanical gripping on a feature of the test piece and pressure enhanced sealing. Connectors are designed, engineered and manufactured to your specific application requirements.

For part number and a price quotation:

- 1) Identify the gripping and sealing areas of your test piece.
- 2) Contact FasTest with information on test pressure, media and provide detailed drawing, including tolerances of test piece.
- 3) Two sample parts will be required at the time of order for final design and testing purposes.