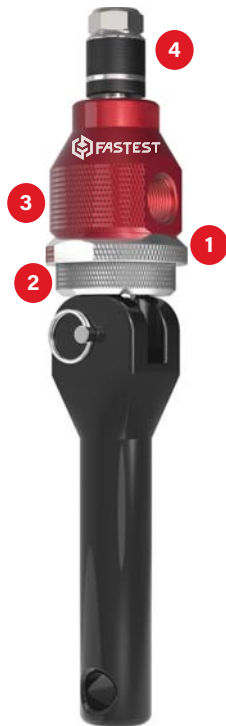


# ZN™ / INTERNAL SEALING CONNECTION TOOL

Manual sealing connection tool for tubes and bores with broad tolerance and low pressures (<50 psi/3.4 bar).

**CONNECTS TO:**

Straight Expanded Flared Beaded Barbed Formed Swaged



- 1 Lockable collar to keep sealing pressure constant, handle hole for safety cable as needed
- 2 Adjustment ring to accommodate the widest sealing range in the industry; set preload and maximize seal life
- 3 High flow design can be quickly adapted for plug style applications
- 4 Quick change seal sets to accommodate multiple sizes of tubing and easy field maintenance



**SPECIFICATIONS**

Pressure Rating	Operating Temperatures	Materials of Construction
Vacuum to 50 psi (3.5 bar)	0°F to +200°F (-17°C to +93°C)	Anodized Aluminum, Stainless Steel, Acetal (POM)
Termination Port		Seal Material*
1/8 NPT to 3/8 NPT		Main seal: Neoprene® Internal seal: Buna-N

\* Additional seal material types available, consult factory.

**ACTUATION METHOD**

**Lever Handle:** Two way actuation handle is simple and ergonomic for production applications

**ICON™ TECHNOLOGY**

Consult Factory

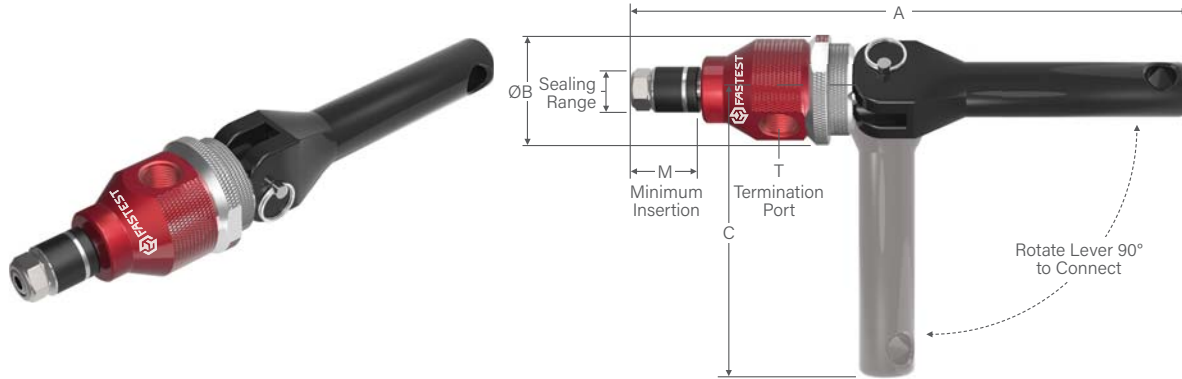
**ACCESSORIES**



**Safety Cable**

- Additional safety feature in case of accidental blowoff.

# ZN / INTERNAL SEALING CONNECTION TOOL



Ordering Information			Dimensions				
Sealing Range	Part Number	Replacement Seals Bulk Pack (5)	A	B	C	M	T
0.38 to 0.39 (9.5 to 10.0)	ZN101	ZNB10360	7.30 (185.4)	1.20 (30.5)	4.09 (103.9)	0.57 (14.5)	1/8 NPT
0.39 to 0.47 (10.0 to 12.0)	ZN111	ZNB111					
0.47 to 0.55 (12.0 to 14.0)	ZN112	ZNB112					
0.55 to 0.63 (14.0 to 16.0)	ZN113	ZNB113					
0.63 to 0.71 (16.0 to 18.0)	ZN221	ZNB221	7.50 (190.5)	1.50 (38.1)	4.09 (103.9)	0.78 (19.8)	1/4 NPT
0.71 to 0.79 (18.0 to 20.0)	ZN222	ZNB222					
0.79 to 0.87 (20.0 to 22.0)	ZN223	ZNB223					
0.87 to 0.95 (22.0 to 24.0)	ZN331	ZNB331	8.13 (206.6)	1.50 (38.1)	4.09 (103.9)	1.20 (30.5)	1/4 NPT
0.95 to 1.02 (24.0 to 26.0)	ZN332	ZNB332					
1.02 to 1.10 (26.0 to 28.0)	ZN333	ZNB333					
1.10 to 1.18 (28.0 to 30.0)	ZN441	ZNB441	8.18 (207.8)	1.63 (41.4)	4.09 (103.9)	1.25 (31.8)	3/8 NPT
1.18 to 1.26 (30.0 to 32.0)	ZN442	ZNB442					
1.26 to 1.34 (32.0 to 34.0)	ZN443	ZNB443					

Dimensions: inch (mm)