

FastTest® Testing Threaded Ports On a Curved Surface

TwistMate MITC Connectors Seal Female Ports On Curved Surfaces Consistently and Accurately

Manually sealing female ports on curved surfaces presents a huge problem. The Twistmate MITC Series connector is designed to seal the port on the round surface better and with less effort. The unique chamfer seal design provides positive sealing with no thread sealants or wrench tightening.



If your part looks like this..



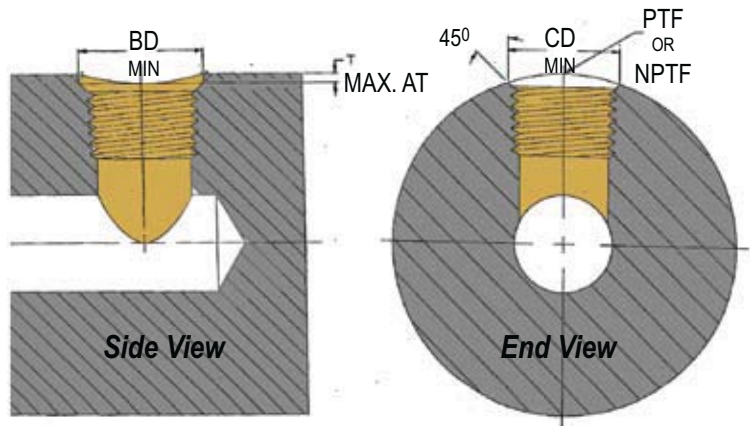
Sealing is as easy as 1..2..3...



Standard MIT



Chamfered Style MIT



| PTF/NPTF | BD | T | CD | MIN. BODY DIA. | MIT Part Numbers | Replacement Seal Set |
|----------|-------|-------|-------|----------------|------------------|----------------------|
| 1/8 | 0.500 | 0.030 | 0.440 | 0.880 | MITC022021X | S1010U70 |
| 1/4 | 0.625 | 0.045 | 0.570 | 1.200 | MITC042041X | S1013U70 |

NOTE: Pressure Rating is 5,000 PSI.