

GTEK AUTOMATION

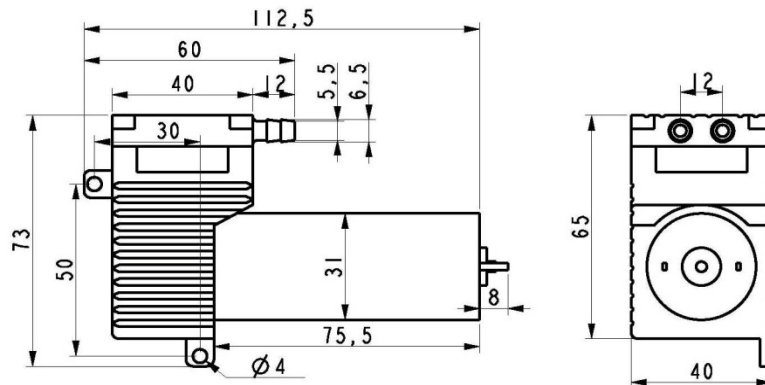
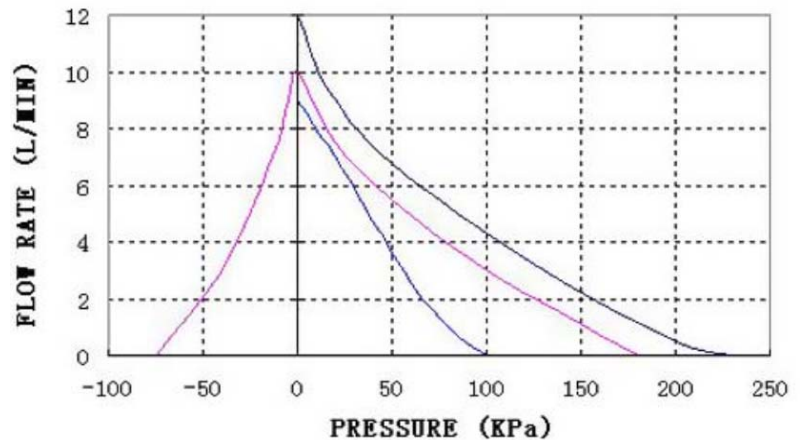
A Division of Pacific Air Engineering, Inc.

MICRO 12A AIR/VACUUM PUMP (BRUSH DC MOTOR)

TECHNICAL DATA

P/N:	M00400-40A-A-** (Pressure/Vacuum)	
Voltage:	12 or 24 VDC	
Amperage:	1.5 Amps	0.8 Amps
Noise:	<60 db/1 Meter	
Max Pressure:	220 KPa (32 PSI)	
Max Vacuum:	-70 KPa (-21 InHg)	
Open Flow Air Output:	12 LPM	10 LPM
Outlet:	6.50 mm O.D. Barb	
Pump Weight:	350g (0.77 Lbs)	

P/N ** = Add "12" or "24" to Specify Voltage in Part Number.



GTEK AUTOMATION

A Division of Pacific Air Engineering, Inc.

26212 Dimension Drive, Suite 150, Lake Forest, CA 92630

Ph. 949-680-4242, Fax. 949-680-4243, Email: Sales@Gtek-Automation.com

Web Site: Gtek-Automation.com