

## OPERATING & MAIN SEAL REPLACEMENT INSTRUCTIONS

### Connector Maintenance:

- A daily, weekly and periodic inspection of the connector by competent person is recommended. User must establish a regular interval for maintenance as determined by the user media and operational environment.
- Inspection should include visual checks of the sealing area, handle wear, missing or loose components, leak tightness, ease of operation, sufficient lubrication, wear, dirt accumulation and damage.
- Establish a regular interval for lubrication. The media and environment will be determining factors in establishing this interval to prevent dryness and/or corrosion.
- Difficulty of operation after continual use indicates a need for lubrication or other maintenance.
- Use only original **FasTest** spare parts that are designed for the application and are subject to strict quality control. See Warranty.

### Safety Warnings – Guidelines:

- If instructions are not completely understood by operator or components are missing, contact **FasTest** before attempting use of the connector.
- Application Safety: All **FasTest** products have been designed with safety in mind, however, it is the responsibility of the products users to design each process in such a way to avoid mishaps that can cause physical hazard or property loss. Secondary restraints such as safety chains, shields, cages or fixtures are all good choices depending on the application. **FasTest** can recommend or assist you in clarifying potential hazards of your application.
- **FasTest GZNV** Connectors are internally valved.
- **FasTest GZNV** Connectors must only be used with test pieces of a specific size as indicated by the part number. Improper use could cause separation of the connector from the test piece resulting in physical harm or damage.

### FasTest, Inc. Product Warranty

FasTest, Inc. warrants its products against defects of workmanship and/or material for 1 year from the date of the sale by FasTest, Inc. This warranty is void if the product is misused, tampered with or used in a manner that is not in accordance with FasTest, Inc. recommendations and/or instructions. FasTest, Inc. is not liable for consequential or other damages including, but not limited to, loss, damage, personal injury, or any other expense directly or indirectly arising from the use of or inability to use its products either separately or in combination with other products. ALL OTHER WARRANTIES EXPRESSED OR IMPLIED, WHETHER ORAL OR WRITTEN, INCLUDING BUT NOT LIMITED TO WARRANTIES OR MERCHANTABILITY OR FITNESS FOR A PARTICULAR PURPOSE ARE EXPRESSLY EXCLUDED.

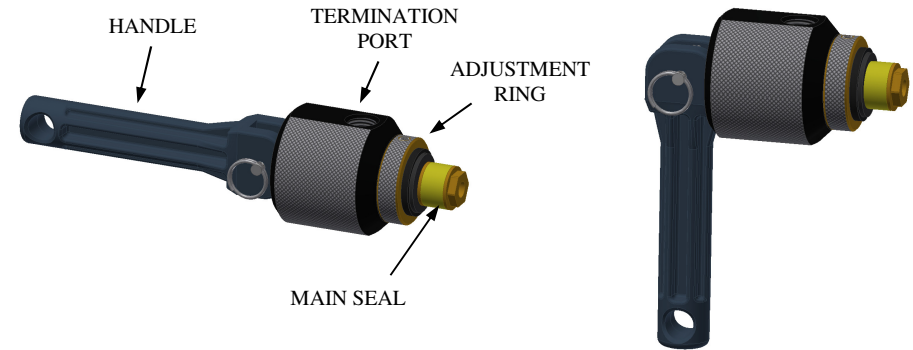
Remedy under this warranty is limited to replacement of the product or an account credit in the amount of the original selling price, at the option on FasTest, Inc. All allegedly defective products must be returned prepaid transportation to FasTest, Inc. along with information describing the products performance, unless disposition in the field is authorized in writing by FasTest, Inc.

## GZNV Lever Activated Connectors

**Description:** *GZNV Series Valved Connectors for Threaded Ports.*

**Materials:** *Non-Sparking Brass and Aluminum.*

**Application:** *Low Pressure Gas Appliances.*



**GZNV** Connectors provide a reliable leak-tight connection that grips threaded ports and seals on port face. Simply insert male end of connector into port and rotate handle to engage seal to port.

Please thoroughly read and understand these operating instructions prior to operating the connector. The use of pressurized media for sealing and testing requires a thorough understanding of the **FasTest GZNV** Operating Instructions.

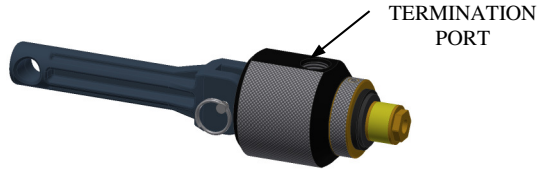
- Installation
- Operation
- Seal Replacement
- Connector Maintenance
- Safety Warnings – Guidelines

## OPERATING & MAIN SEAL REPLACEMENT INSTRUCTIONS

### Installation:

Connect hose/fitting securely to the termination port of the connector.

Fig 1

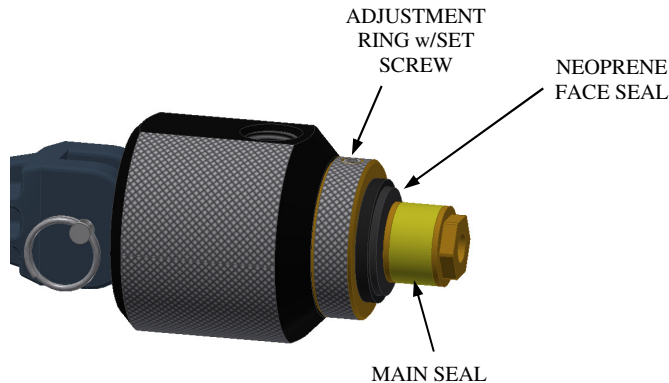


### Operation:

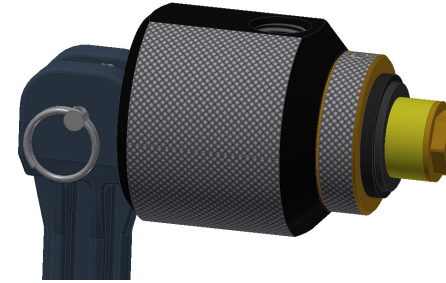
#### Connecting Action:

**CAUTION: Because this is a valved/shut-off style connector, steps 1-7 must be done before media can be applied to the termination port on connector.**

1. First step is to properly pre-load the main seal by adjusting the brass adjustment ring. To pre-load main seal prior to insertion into port make sure handle is in-line as shown in Fig 1, spin adjustment ring in or out and it will compress or de-compress the main seal.
2. Set screw in the adjustment ring can be used to keep ring in place.
3. As main seal wears, adjustments may need to be made.
4. Insert connector into port.
5. Make sure face seal is flush against face of port.
6. Rotate handle, making sure that the face seal is tight against the test piece. If too loose or too tight in port re-adjust the adjustment ring again. If you can't rotate handle then you've compressed main seal too much.



7. Rotate handle 90° degrees in either direction. Main seal is compressed as handle is rotated. This action draws/pulls the test piece into face seal.



8. Activate test media through connector termination port.
9. Maximum test pressure is 5psi!

#### • **CAUTION NOTES:**

- **CAUTION:** The maximum rated pressure is stamped on the connector body. Before using, verify that this pressure rating is within your working pressures.
- **WARNING: Tug on the connector to assure proper engagement and gripping before introduction of pressurized media.**
- **DO NOT** force connector onto test port when connecting. If force is needed then either port is wrong size or connector is wrong size.
- **DO NOT** spin test piece or connector once lever has been rotated 90° degrees. This will ruin the main seal and face seal!

#### Disconnecting Action:

1. Since this connector has the valved/shut-off feature, the termination pressure does not need to be shut-off upstream prior to rotating handle to the in-line position. (But best practice is to deactivate test pressure before rotating handle to the in-line position.)
2. Rotate lever to the in-line (horizontal) position and remove from test piece.



## OPERATING & MAIN SEAL REPLACEMENT INSTRUCTIONS

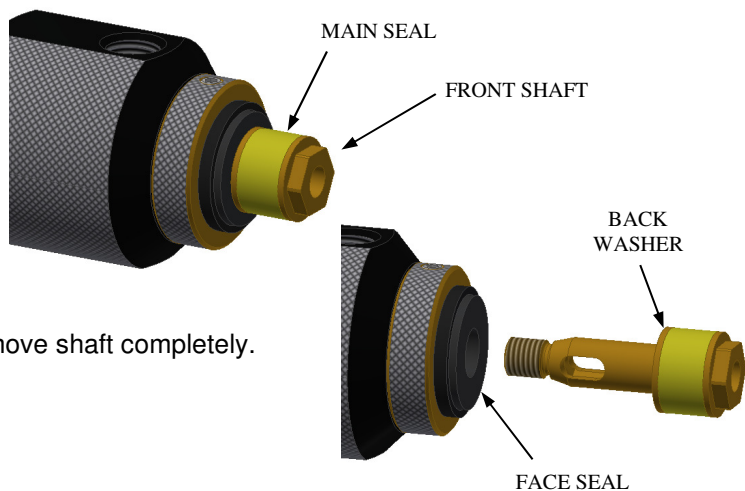
### MAIN SEAL & FACE SEAL REPLACEMENT INSTRUCTIONS:

#### **Dis-assemble:**

1. Secure handle in the horizontal position.



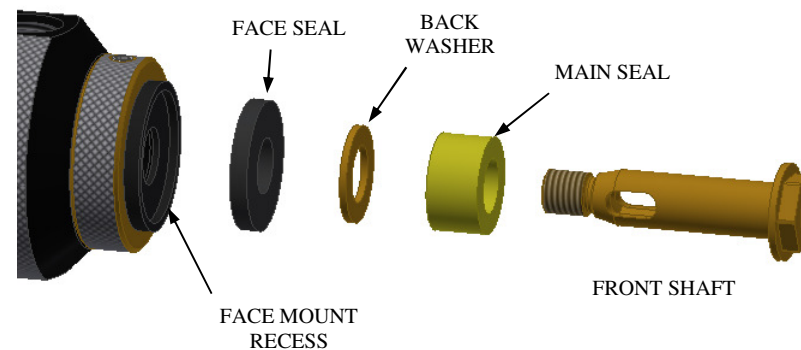
2. Using a 6 point socket or box end 6 point wrench, loosen and remove the front shaft. **Note: Shaft has been secured with Loctite 242 at the factory.**



3. Remove shaft completely.

4. Remove back washer and main seal, discard seal.
5. Remove face seal and discard.

#### **Re-assemble:**



1. Install new main seal and back washer onto shaft.
2. Install new face seal into recess on face mount.
3. Apply one drop of Loctite 242 onto threads of shaft.
4. Install shaft using 6 point socket or wrench.
5. Tighten until you feel a hard stop, components are brass, do not over-tighten.

**NOTE: THE BETTER THE TOOLS YOU USE TO REPLACE SEALS THE LONGER THE SHAFT WILL LAST!**