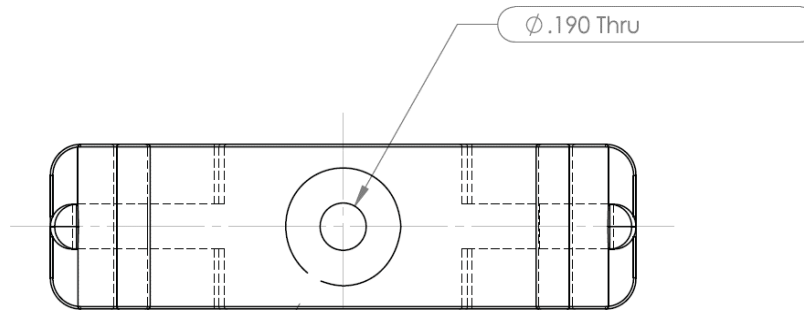
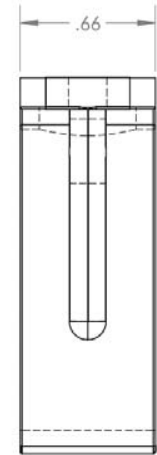
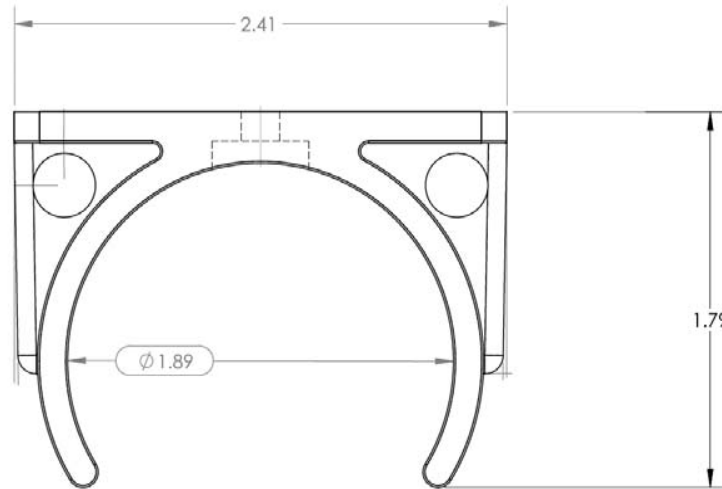
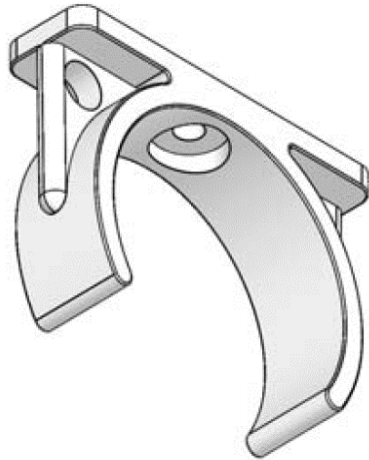


**Notes: Unless Otherwise Specified:**

**Specifications:**

1. Material: FDA Approved Polypropylene, White.

REV	DESCRIPTION	BY	DATE	APR
A	INITIAL RELEASE	RL	1/27/2015	RL



Part Support Document Derive all dimensions from 3D model supplied by Gtek. Invalid without accompanying drawing	Approvals	Date:	Unless Otherwise Specified All dimension in inches. Not to Scale Drawing	GTEK AUTOMATION A Division of Pacific Air Engineering, Inc. 26212 Dimension Drive, Suite 150 Lake Forest, CA 92630 Ph. 949-680-4242, www.gtek-automation.com	
	Owner: RL	1/27/2015			
	Check: RL	1/27/2015	Tolerance: XX: +/- 0.01" XXX: +/- 0.005" ANGLES: +/- 1	Title: Mounting C-Clip, for 2.0" O.D. Reservoir Cartridge	
	Engr.: RL	1/27/2015			
	Mfg. Eng: RL	1/27/2015			
Appd: RL	1/27/2015				
Gtek Confidential: This Document and the information contained in it are confidential and cannot be copied or disclosed in whole or in part without the express written consent of Gtek Automation			Material: SEE NOTE	Dwd No.	Rev
			Finish: N/A NONE	GTR300-2.0 CLIP	A
				Version 1	Sheet 1 of 1