

REPLACEMENT INSTRUCTIONS

Seal Set Instructions for FE Model External Connector

Caution –

1. Periodically inspect connector, seals and washers for wear or damage. Replace worn or damaged connector seal sets to prevent loss of seal ability and personal injury.
2. If replacing seals only, inspect washers for warping, corrosion or excessive wear.
3. Replace complete Fastest main seal set if washers are warped, corroded or worn.

FOLLOW DIRECTIONS given here and the Operating Installation instructions with the FE Connector to insure a safe, secure seal.



Diagram 1

***Seal Set Parts Required**

Connector	Number of Seals	Number of Washers
FE01	1	2
FE1	1	2
FE2	2	2
FE3, FE4	3	2
FE5, FE6	3	2

FE-NPT seal sets also contain face seal and spacers as needed. See other side for FE-NPT seal set replacement instructions.

Installation of Seals

1. For seal replacement, loosen set screw on side of housing.
2. Unscrew seal casing and remove (counterclockwise). A spanner wrench hole is provided for breaking the seal casing loose if required.
3. Seal set contains elastomer seals and backup washers per chart.
4. Verify that seals and washers are the same size.
5. Assemble/load seal set into seal casing per Diagram 1.
6. Reassemble/screw the seal casing into the housing.
7. Retighten set screw.

WARNING: Seals and washers must have the same outside and inside diameters. Use of incorrect size seals or washers will result in the loss of seal ability.

WARNING: If instructions are not clear or components are missing, contact factory before using connector.

REPLACEMENT INSTRUCTIONS



Seal Set Instructions for FE-NPT Model External Connector

This instruction sheet is to be used as a supplement to the standard FE seal set instructions (side one). Read both instruction sheets carefully before installing the FE-NPT seal set.

1. FE-NPT seal sets contain one 3/8" thick urethane main seal (A), back up washers (B), and metal spacers (C) as needed. Seals are also available in packages of five seal changes with locking rings (Bulk Pack).
2. Assemble NPT seal set per Diagram 2 and reassemble connector as directed in steps 1-7 on other side of this sheet.
3. FE-NPT seal sets require up to 600 psi pilot pressure to actuate the seal. A Fastest pilot pressure booster *(PB-1-15) or other hydraulic pressure source is needed to reach, but not to exceed 600 psi. The pilot pressure should always be adjusted to the lowest pressure that will give a consistent seal.

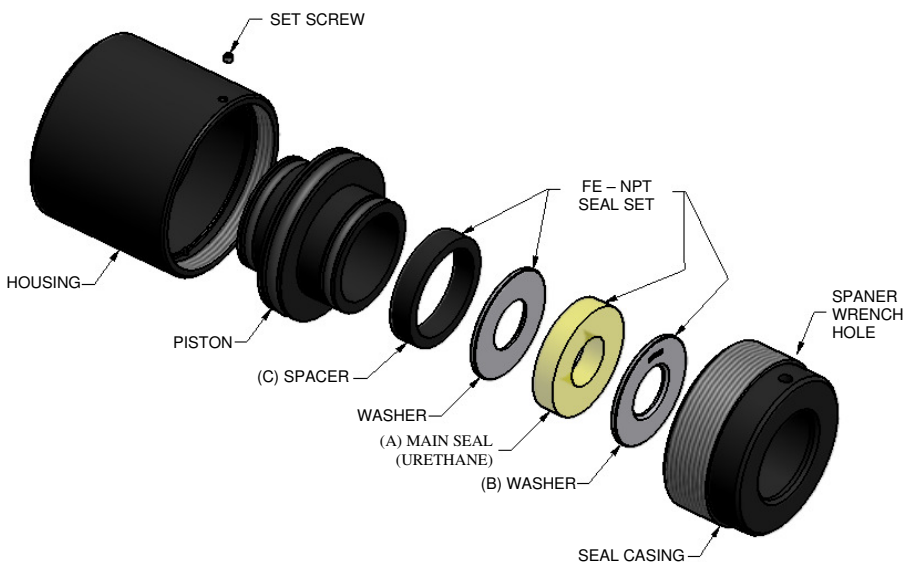
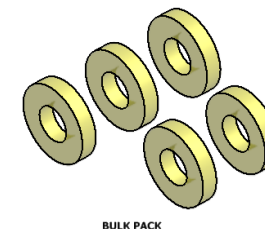
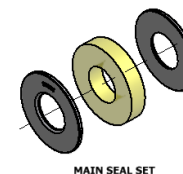


Diagram 2

*PB-1015 pilot pressure booster operates using up to 65 psi air pressure inlet, yielding up to 600 psi outlet hydraulic pressure. Please refer to the Fastest catalog for additional information.

Note: Other thread sizes or special applications are available upon request.

WARNING: If instructions are not clear or components are missing, contact factory before using connector.



FasTest, Inc. Product Warranty

FasTest, Inc. warrants its products against defects of workmanship and/or material for 12 months from the date of the sale by FasTest, Inc. This warranty is void if the product is misused, tampered with or used in a manner that is not in accordance with FasTest, Inc. recommendations and/or instructions. FasTest, Inc. is not liable for consequential or other damages including, but not limited to, loss, damage, personal injury, or any other expense directly or indirectly arising from the use of or inability to use its products either separately or in combination with other products. ALL OTHER WARRANTIES EXPRESSED OR IMPLIED, WHETHER ORAL OR WRITTEN, INCLUDING BUT NOT LIMITED TO WARRANTIES OF MERCHANTABILITY OR FITNESS FOR A PARTICULAR PURPOSE ARE EXPRESSLY EXCLUDED.

Remedy under this warranty is limited to replacement of the product or an account credit in the amount of the original selling price, at the option of FasTest, Inc. All allegedly defective products must be returned prepaid transportation to FasTest, Inc. along with information describing the products performance, unless disposition in the field is authorized in writing by FasTest, Inc.