

OPERATING INSTRUCTIONS

Connector Maintenance:

- A daily, weekly and periodic inspection of the connector by competent person is recommended. User must establish a regular interval for maintenance as determined by the user media and operational environment.
- Inspection should include visual checks of the sealing area, handle wear, missing or loose components, leak tightness, ease of operation, sufficient lubrication, wear, dirt accumulation and damage.
- Establish a regular interval for lubrication. The media and environment will be determining factors in establishing this interval to prevent dryness and/or corrosion.
- Difficulty of operation after continual use indicates a need for lubrication or other maintenance.
- Use only original **FasTest** spare parts that are designed for the application and are subject to strict quality control. See Warranty.

Safety Warnings – Guidelines:

- If instructions are not completely understood by operator or components are missing, contact **FasTest** before attempting use of the connector.
- Application Safety: All **FasTest** products have been designed with safety in mind, however, it is the responsibility of the products users to design each process in such a way to avoid mishaps that can cause physical hazard or property loss. Secondary restraints such as safety chains, shields, cages or fixtures are all good choices depending on the application. **FasTest** can recommend or assist you in clarifying potential hazards of your application.
- **FasTest ZN** Connectors are not internally valved, and will not prevent loss of media when disconnected. Do not attempt to disconnect unless safe conditions are met.
- **FasTest ZN** Connectors must only be used with test pieces of a specific size as indicated by the part number. Improper use could cause separation of the connector from the test piece resulting in physical harm or damage.

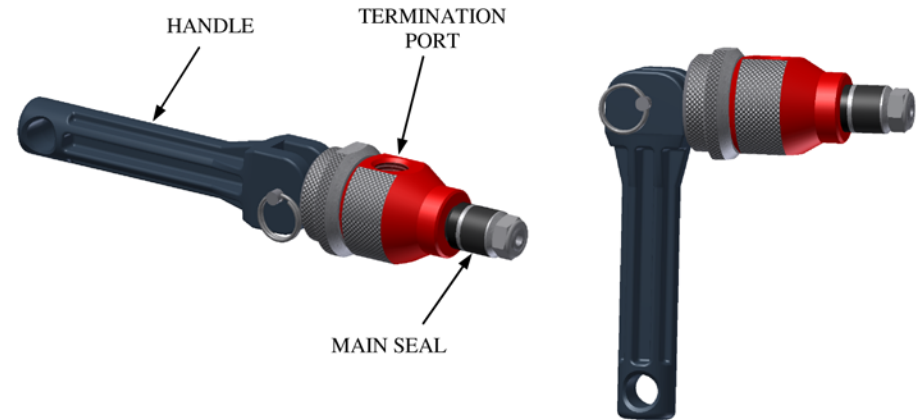
FasTest, Inc. Product Warranty

FasTest, Inc. warrants its products against defects of workmanship and/or material for 90 DAYS from the date of the sale by FasTest, Inc. This warranty is void if the product is misused, tampered with or used in a manner that is not in accordance with FasTest, Inc. recommendations and/or instructions. FasTest, Inc. is not liable for consequential or other damages including, but not limited to, loss, damage, personal injury, or any other expense directly or indirectly arising from the use of or inability to use its products either separately or in combination with other products. ALL OTHER WARRANTIES EXPRESSED OR IMPLIED, WHETHER ORAL OR WRITTEN, INCLUDING BUT NOT LIMITED TO WARRANTIES OR MERCHANTABILITY OR FITNESS FOR A PARTICULAR PURPOSE ARE EXPRESSLY EXCLUDED.

Remedy under this warranty is limited to replacement of the product or an account credit in the amount of the original selling price, at the option on FasTest, Inc. All allegedly defective products must be returned prepaid transportation to FasTest, Inc. along with information describing the products performance, unless disposition in the field is authorized in writing by FasTest, Inc.

ZN Lever Activated Connectors

Description: *ZN Series Connectors Seal on Smooth Bore Holes.*



ZN Connectors provide a reliable leak-tight connection that seal on smooth bores. Simply insert male end of connector into bore and rotate handle to engage seals to bore.

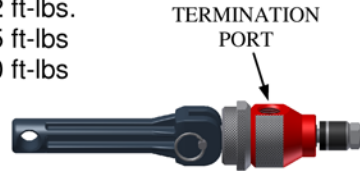
Please thoroughly read and understand these operating instructions prior to operating the connector. The use of pressurized media for sealing and testing requires a thorough understanding of the **FasTest ZN** Operating Instructions.

- Installation
- Operation
- Connector Maintenance
- Safety Warnings – Guidelines

OPERATING INSTRUCTIONS

Installation:

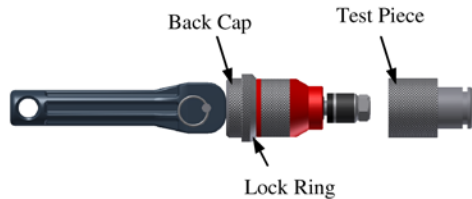
Connect hose/fitting securely to the termination port of the connector.
1/8" NPT tighten to a maximum torque of 12 ft-lbs.
1/4" NPT tighten to a maximum torque of 25 ft-lbs
3/8" NPT tighten to a maximum torque of 40 ft-lbs



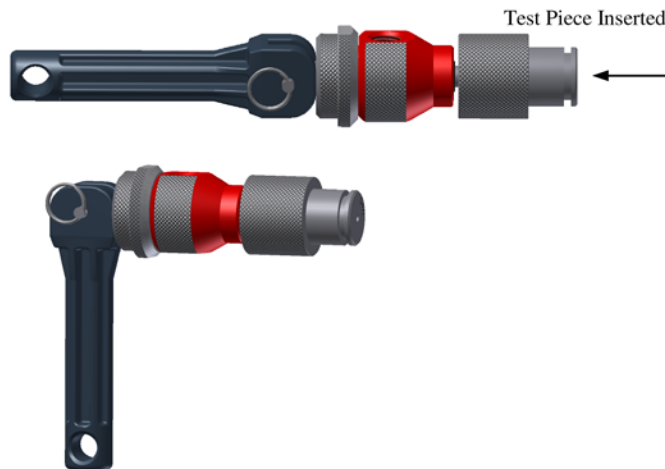
Operation:

Connecting Action:

1. Depending on the bore size the seals may need to be preloaded to properly fit and seal the bore after handle has been rotated. To pre-load prior to insertion into bore, spin back cap in or out in this horizontal position and it will compress or de-compress the main seal(s).
2. Lock cap in place with lock ring.



3. Insert connector into port and rotate handle 90° degrees in either direction. Main seal is compressed as handle is rotated.



CAUTION NOTES:

- CAUTION: The maximum rated pressure is stamped on the connector body. Before using, verify that this pressure rating is within your working pressures.
- **WARNING: Tug on the connector to assure proper engagement and gripping before introduction of pressurized media.**
- **DO NOT** force connector onto test part when connecting. Forcing the connector will result in poor sealing and possible leakage.
- **DO NOT** spin test piece on seal once lever has been rotated 90° degrees.

4. Activate test media through connector termination port.

Disconnecting Action:

1. Deactivate test pressure. (DO NOT ROTATE LEVER UNTIL TEST PRESSURE HAS BEEN DEACTIVATED).
2. Rotate lever to the horizontal position and remove from test piece.



Pressure Ratings:

1. When testing smooth bore ports, maximum test pressure is 50psi.