

REPLACEMENT INSTRUCTIONS

Instructions Supplement FE001 Mini Connector

READ ALL INSTRUCTIONS AND WARNINGS PRIOR TO USE

WARNING: Do not operate FasTest connectors without reading and understanding the complete installation and operating instructions. If instructions are not clear or components are missing, contact factory before using connector.

Information on:

- Mounting of connector
- Attachment of pilot pressure and test media supply lines.
- Connector operation instructions

is described in the FE general instructions included with each connector.

FE001 Mini Connector Seal Sizes

<u>MODEL</u>	<u>SEAL SET</u>	<u>SEALING RANGE</u>
FE001	-0050	.030" - .050"
	-001	.050" - .080"
	-002	.080" - .130"

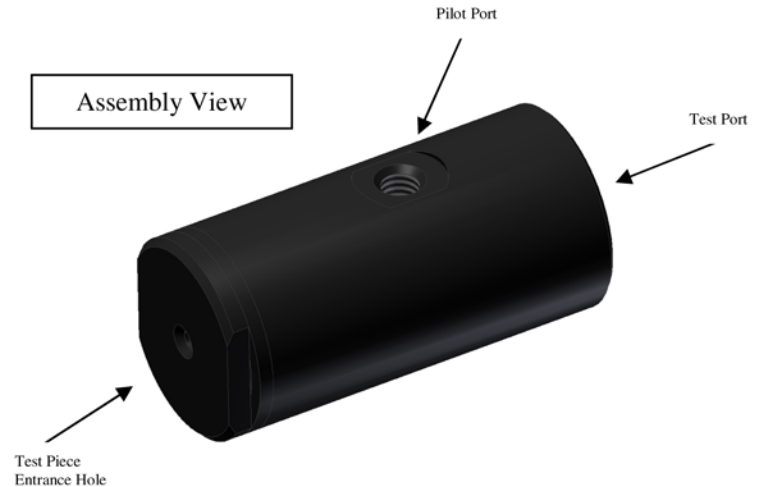
Buna-N o-ring seals are standard, other materials available per request.

PARTS LIST

<u>PART NUMBER</u>	<u>DESCRIPTION</u>
FE001-0050	Complete External Connector Sealing Range .030" - .050"
FE001-001	Complete External Connector Sealing Range .050" - .080"
FE001-002	Complete External Connector Sealing Range .080" - .130"
FES001-0050	Replacement Seal Set Sealing Range .030" - .050" Includes Buna-N O-Ring Seal and Seal Casing.

PARTS LIST CONTINUED

<u>PART NUMBER</u>	<u>DESCRIPTION</u>
FES001-001	Replacement Seal Set Sealing Range .050" - .080" Includes Buna-N O-Ring Seal and Seal Casing.
FES001-002	Replacement Seal Set Sealing Range .030" - .050" Includes Buna-N O-Ring Seal and Seal Casing.
FEB001-0050	Buna-N Replacement O-Ring Seals Sealing Range .030" - .050" Five seal changes per package.
FEB001-001	Buna-N Replacement O-Ring Seals Sealing Range .050" - .080" Five seal changes per package.
FEB001-002	Buna-N Replacement O-Ring Seals Sealing Range .080" - .130" Five seal changes per package.
30539-000	Internal Spring for FE001 Connector



REPLACEMENT INSTRUCTIONS

INSTALLATION OF REPLACEMENT SEALS

To Replace Seal

1. Unscrew and remove Seal Casing. Wrench flats provided for easy removal.

NOTE: The internal Spring is set loose inside the Housing. Make sure that this Spring is not damaged or lost.

2. O-Ring seals are held in the Seal Casing by friction fit. Remove old O-Ring and replace with new one.

3. Place Spring into Housing.

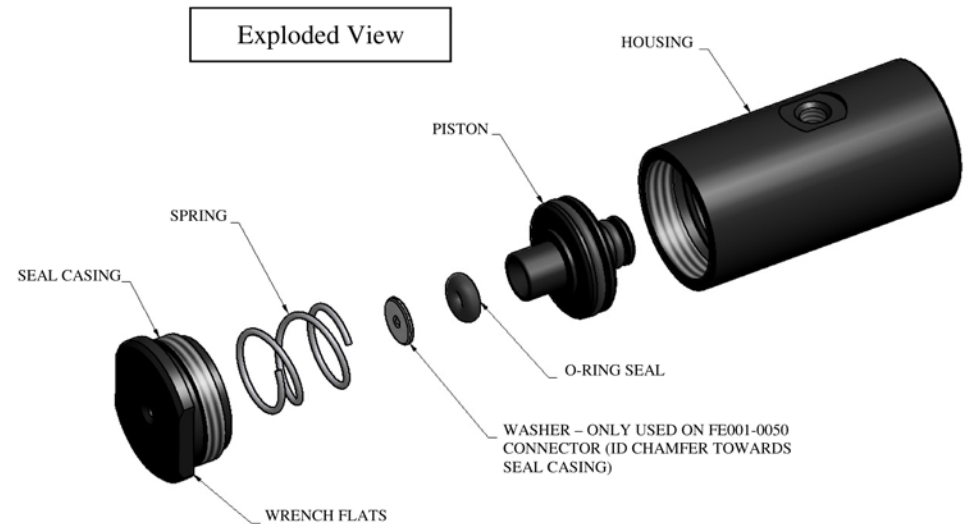
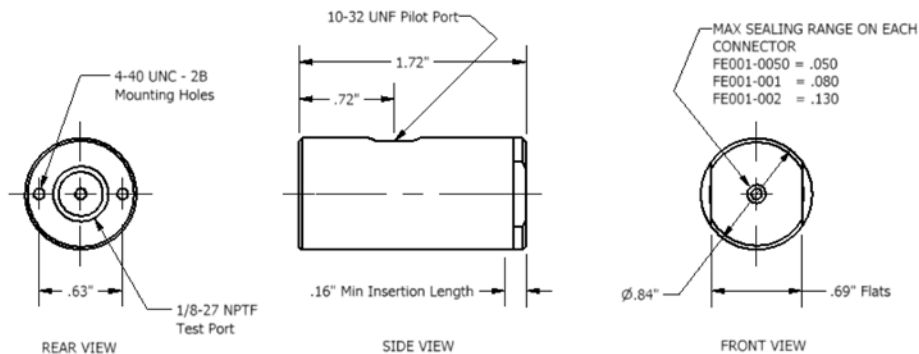
4. Thread Seal Casing into Housing, using a wrench to tighten will prevent loosening.

Changing Connector Seal Range

Changing the Seal Casing assembly allows the user to have one FE001 Body seal the entire .030" - .130" sealing range. The FES Replacement Seal Sets are listed on the parts list. Installation is similar to the replacement seal installation except that the entire seal casing assembly (Seal Casing and Buna-N O-Ring) is replaced.

FASTEST FE001 MINI EXTERNAL CONNECTOR PART SPECIFICATIONS & OVER ALL DIMENSIONS

Operating Pressure: Medium Vacuum to 500 PSI



FasTest, Inc. Product Warranty

FasTest, Inc. warrants its products against defects of workmanship and/or material for 12 months from the date of the sale by FasTest, Inc. This warranty is void if the product is misused, tampered with or used in a manner that is not in accordance with FasTest, Inc. recommendations and/or instructions. FasTest, Inc. is not liable for consequential or other damages including, but not limited to, loss, damage, personal injury, or any other expense directly or indirectly arising from the use of or inability to use its products either separately or in combination with other products. ALL OTHER WARRANTIES EXPRESSED OR IMPLIED, WHETHER ORAL OR WRITTEN, INCLUDING BUT NOT LIMITED TO WARRANTIES OR MERCHANTABILITY OR FITNESS FOR A PARTICULAR PURPOSE ARE EXPRESSLY EXCLUDED.

Remedy under this warranty is limited to replacement of the product or an account credit in the amount of the original selling price, at the option of FasTest, Inc. All allegedly defective products must be returned prepaid transportation to FasTest, Inc. along with information describing the products performance, unless disposition in the field is authorized in writing by FasTest, Inc.