

“JNL” and “JXL” - Smooth Tube Connectors

Technology Overview

The **NuJaws Series** provides quick and effortless connections for tubing especially copper, steel and aluminum tubes that are used with refrigerant based products. The unique collet gripping and sealing design provides unmatched sealing reliability and resists removal under pressure.

Both connector series utilize a singular seal which can be quickly replaced at your work center to minimize down-time, maintenance and tool inventory. Neoprene seals are standard for refrigerant based applications but they are available with any elastomer required for your application.



JXL Series



JNL0 and JNL1 Series

	Contents	Page(s)
	Tech Info	F1-F2
Internal Tubes	0.375"-0.875"	F3
	1.000"-1.625"	F4
External Tubes	0.250"-0.875"	F5



JNL2 Series



“JNL” Connectors for Internal Tubes and Bores



“JXL” Connectors for External Tubes

“JNL” and “JXL” - Smooth Tube Connectors

Features and Benefits - “JNL and JXL Series”

- Pressures to 1000 psi for manual connections*
- Resists removal under pressure
- Reliable, pressure enhanced sealing
- Quick and easy seal replacement
- Vacuum to 10 millitorr (micron)
- Temperature range from -40°F to 250°F
- Body - Anodized aluminum with Delrin handle
- Gripping Collets - Stainless steel snap rings, collets and springs
- Main Seal - Neoprene (others available on request)

JNL Series



JXL Series

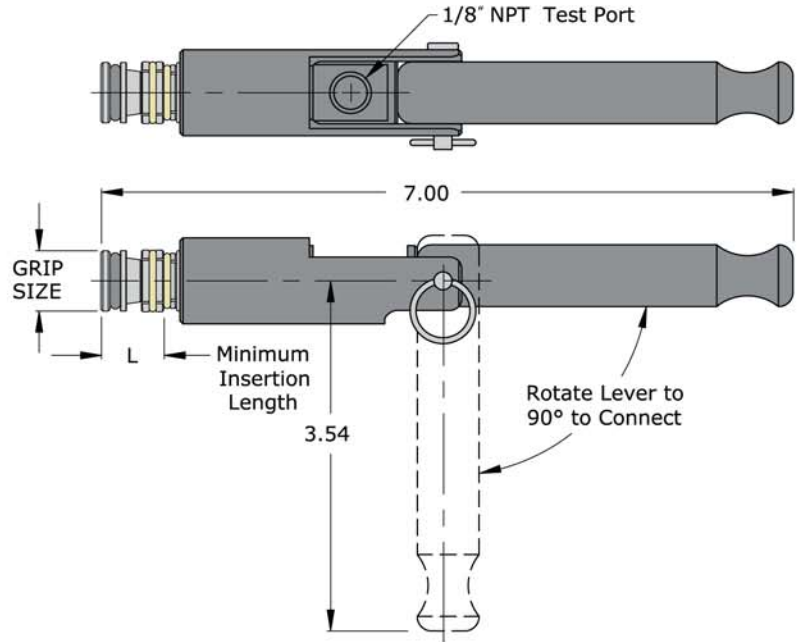


*JNL pressure rating based on test piece having a surface finish greater than 16rms and a hardness of no more than 95 Rb to grip and seal at the rated pressure. A surface finish of 8rms may be acceptable if the test piece has a hardness no greater than 40 Rb.

*JXL pressure rating based on metal test piece not exceeding 30 Rockwell C hardness. As a general guideline, surface must be 5 micro inches or greater. Surfaces less than 5 micro inches not recommended.

“JNL” and “JXL” - Smooth Tube Connectors

FasTest “JNL” Series - Connectors for Internal Tube Grip and Seal Applications



JNL0 and JNL1 - Lever Actuated Connectors for Internal Tubes / Bores

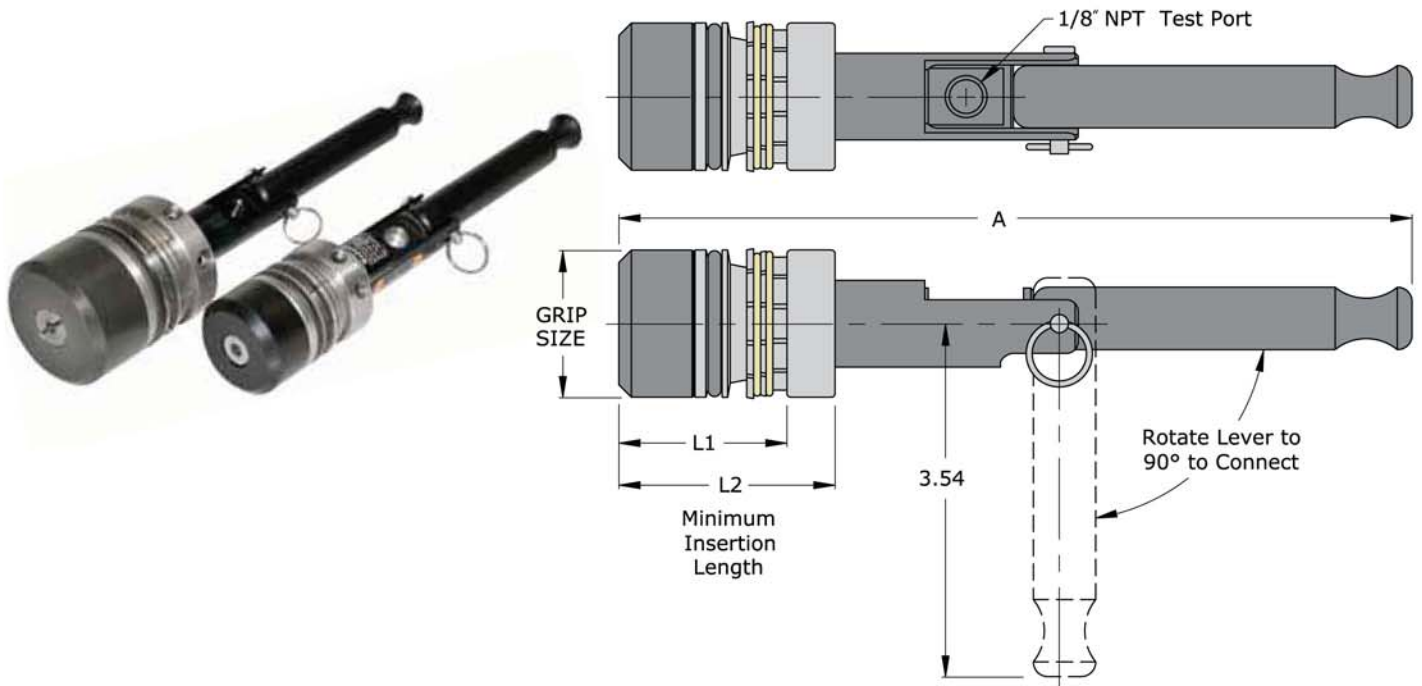
Part Number	Grip Size (+0.010"/-0.010")	Rated PSI*	Flow Diameter	Dim L	Housing Materials	Seal Material	Main Seals Package (5)
JNL0-0375H	0.375"	Vacuum to 1000	0.11"	0.53"	Aluminum, Stainless Steel and Delrin	Neoprene	SN0-0375H
JNL0-0500H	0.500"						SN0-0500H
JNL1-0590	0.590"		0.17"	0.63"			SN1-0590
JNL1-0625	0.625"						SN1-0625
JNL1-0750	0.750"						SN1-0750
JNL1-0785	0.785"						SN1-0785
JNL1-0875	0.875"						SN1-0875

* Pressure rating based on the test piece having a surface finish greater than 16 rms and a hardness of no more than 95 Rb to grip and seal at the rated pressure. A surface finish of 8 rms may be acceptable if the test piece has a hardness no greater than 40 Rb.



“JNL” and “JXL” - Smooth Tube Connectors

FasTest “JNL” Series - Connectors for Internal Tube Grip and Seal Applications



JNL2 - Lever Actuated Connectors for Internal Tubes / Bores

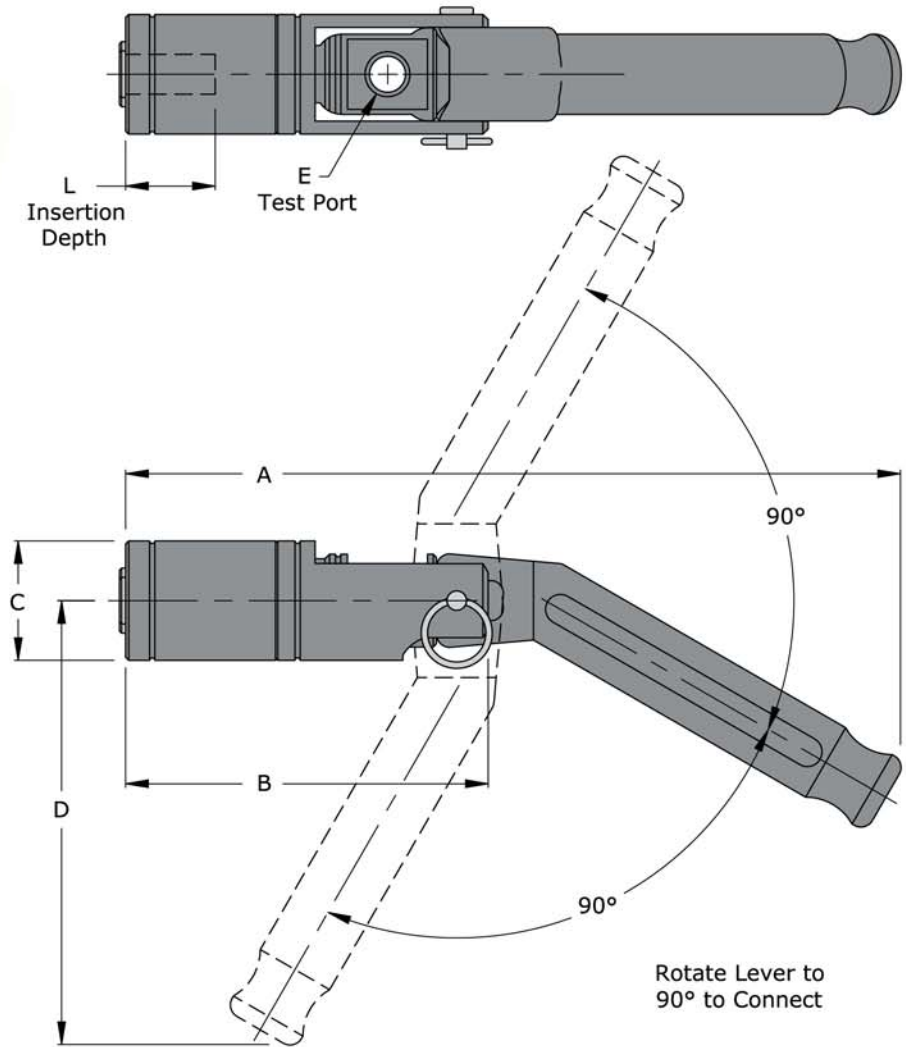
Part Number	Grip Size (+0.030"/-0.010")	Rated PSI*	Flow Diameter	Dim A	Dim "L1"	Dim "L2"	Housing Materials	Seal Material	Main Seals Package (5)
JNL2-1000	1.000"	Vacuum to 750	0.17"	7.18"	1.31"	1.39"	Aluminum, Stainless Steel and Delrin	Neoprene	Consult Factory
JNL2-1125	1.125"								
JNL2-1250	1.250"		0.17"	7.30"	1.44"	1.51"			
JNL2-1375	1.375"								
JNL2-1500	1.500"		0.17"	7.91"	1.69"	2.12"			
JNL2-1625	1.625"								

* Pressure rating based on the test piece having a surface finish greater than 16 rms and a hardness of no more than 95 Rb to grip and seal at the rated pressure. A surface finish of 8 rms may be acceptable if the test piece has a hardness no greater than 40 Rb.

JNL - JXL

“JNL” and “JXL” - Smooth Tube Connectors

FasTest “JXL” Series - Connectors for External Tube Grip and Seal Applications



JXL0 and JXL1 - Lever Actuated Connectors for External Tubes

Part Number	Grip Size (±0.010")	Rated PSI*	Dim A	Dim B	Dim C	Dim D	Dim E	Dim L	Max. Flow Ø	Housing Materials	Seal Material	Main Seals Package (5)
JXL0-0250	0.250"	Vacuum to 1000	7.24"	3.65"	1.13"	4.13"	1/8" NPT	0.79"	0.24"	Aluminum, Stainless Steel and Delrin	Neoprene	SXL0-0250
JXL0-0312	0.312"											SXL0-0312
JXL0-0375	0.375"											SXL0-0375
JXL0-0500	0.500"											SXL0-0500
JXL1-0625	0.625"		SXL0-0625									
JXL1-0750	0.750"		SXL0-0750									
JXL1-0875	0.875"		SXL0-0875									
			7.27"	3.58"	1.62"	4.22"	1/4" NPT	0.85"	0.27"			

* Pressure rating based on metal test piece not exceeding 30 Rockwell C hardness. As a general guideline, surface must be 5 micro inches or greater. Surfaces less than 5 micro inches not recommended.