

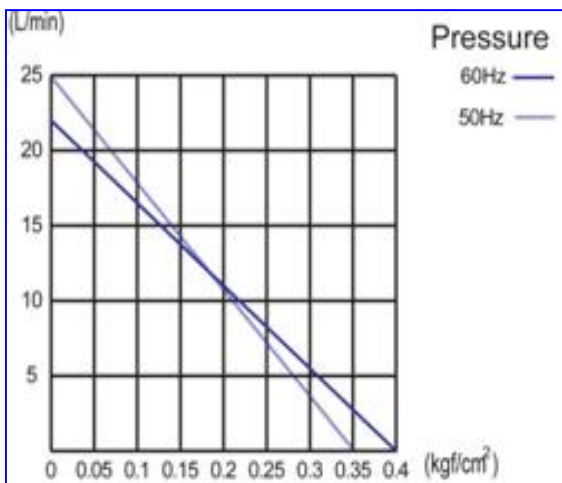
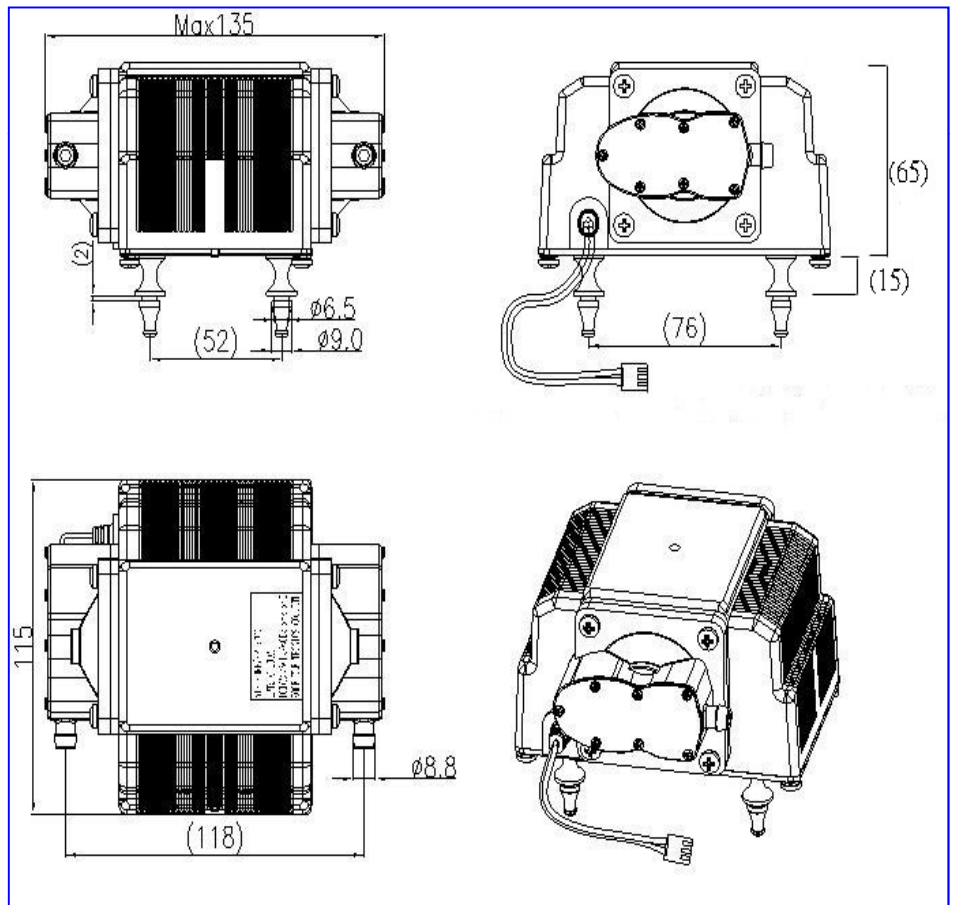
# GTEK AUTOMATION

A Division of Pacific Air Engineering, Inc.

## MICRO 20P AIR PUMP

### TECHNICAL DATA

P/N:	M00200
Voltage:	110VAC, 50/60Hz
Amperage:	0.23 Amps
Pressure:	5.68 PSI (0.4 Kg/cm <sup>2</sup> )
Open Flow Air Output:	0.77 CFM (22 LPM)
Dimensions:	5.31" x 4.52" x 3.15" (135mm x 115mm x 80mm)
Weight:	3.31 Lbs (1.50 Kg)
Noise Level:	58 dB(A)
Outlet Port:	8.8mm O.D. Barb
Electrical Connector:	VH Connector, VHR-3N. (Mating Connector B3P-VH is Designed to Attach to Circuit Board)



GTEK AUTOMATION

A Division of Pacific Air Engineering, Inc.

26212 Dimension Drive, Suite 150, Lake Forest, CA 92630

Ph. 949-680-4242, Fax. 949-680-4243, Email: Sales@Gtek-Automation.com

Web Site: Gtek-Automation.com