

GTEK AUTOMATION

A Division of Pacific Air Engineering, Inc.

MICRO 2 AIR PUMP

TECHNICAL DATA

P/N:	M00194	M00195
Voltage:	6VDC	12VDC
Amperage:	0.43 Amps	0.30 Amps
Pressure:	6.4 PSI (0.45 Kg/cm ²)	
Open Flow Air Output:	0.06 CFM (1.8 LPM)	
Dimensions:	2.77" x 1.06" x 1.06" (70.3mm x 27mm x 27mm)	
Weight:	0.13 Lbs (0.06 kg)	
Inlet/Outlet:	6mm O.D.	



GTEK AUTOMATION

A Division of Pacific Air Engineering, Inc.

26212 Dimension Drive, Suite 150, Lake Forest, CA 92630

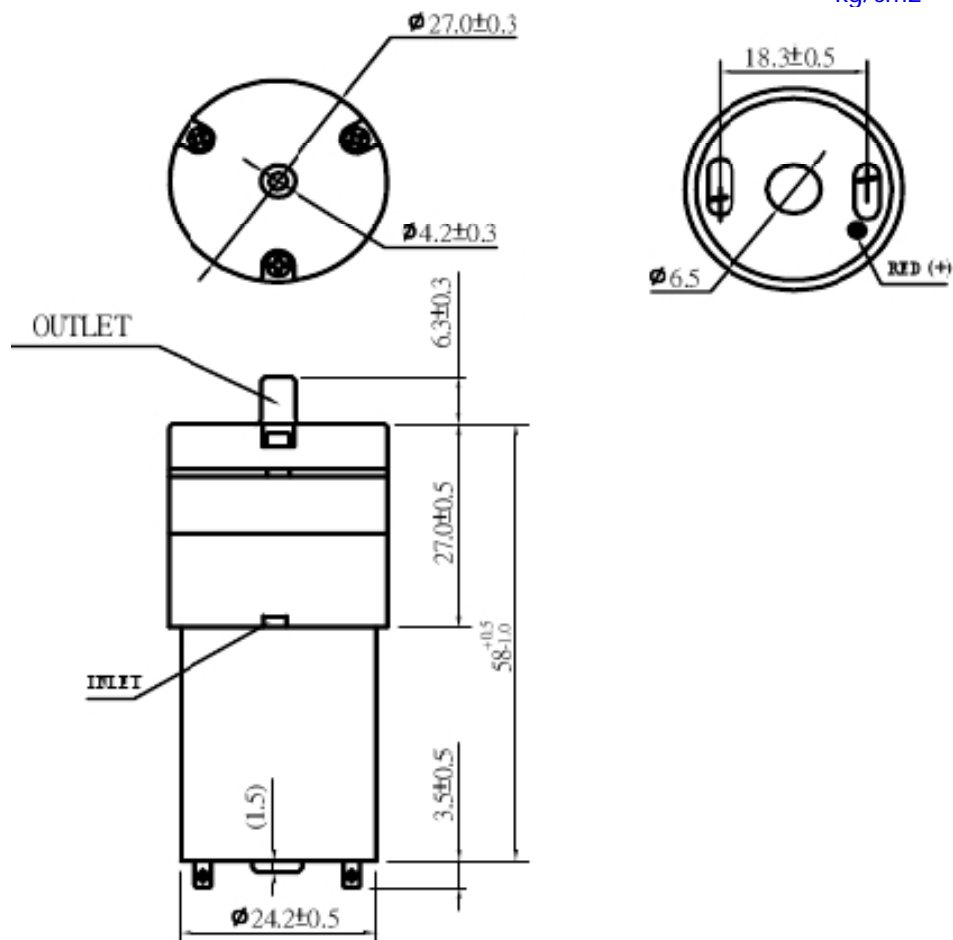
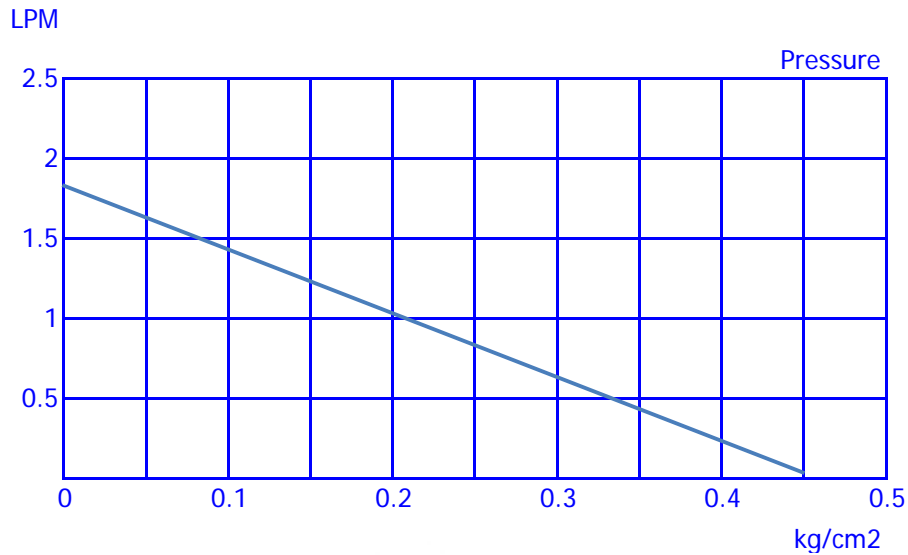
Ph. 949-680-4242, Fax. 949-680-4243, Email: Sales@Gtek-Automation.com

Web Site: Gtek-Automation.com

GTEK AUTOMATION

A Division of Pacific Air Engineering, Inc.

Performance Curve:



GTEK AUTOMATION

A Division of Pacific Air Engineering, Inc.

26212 Dimension Drive, Suite 150, Lake Forest, CA 92630

Ph. 949-680-4242, Fax. 949-680-4243, Email: Sales@Gtek-Automation.com

Web Site: Gtek-Automation.com