

GTEK AUTOMATION

A Division of Pacific Air Engineering, Inc.

MICRO 17 AIR & VACUUM PUMP

TECHNICAL DATA

P/N:	M00199
Voltage:	12VDC
Amperage:	2.3 Amps
Pressure:	11.38 PSI (0.8 Kg/cm ²)
Vacuum:	17.72 InHg (450 mmHg)
Open Flow Air Output:	0.57 CFM (16 LPM)
Dimensions:	5.12" x 2.3" x 2.3" (130mm x 60mm x 60mm)
Weight:	0.66 Lbs (0.30 Kg)
Inlet/Outlet:	6mm O.D.



GTEK AUTOMATION

A Division of Pacific Air Engineering, Inc.

26212 Dimension Drive, Suite 150, Lake Forest, CA 92630

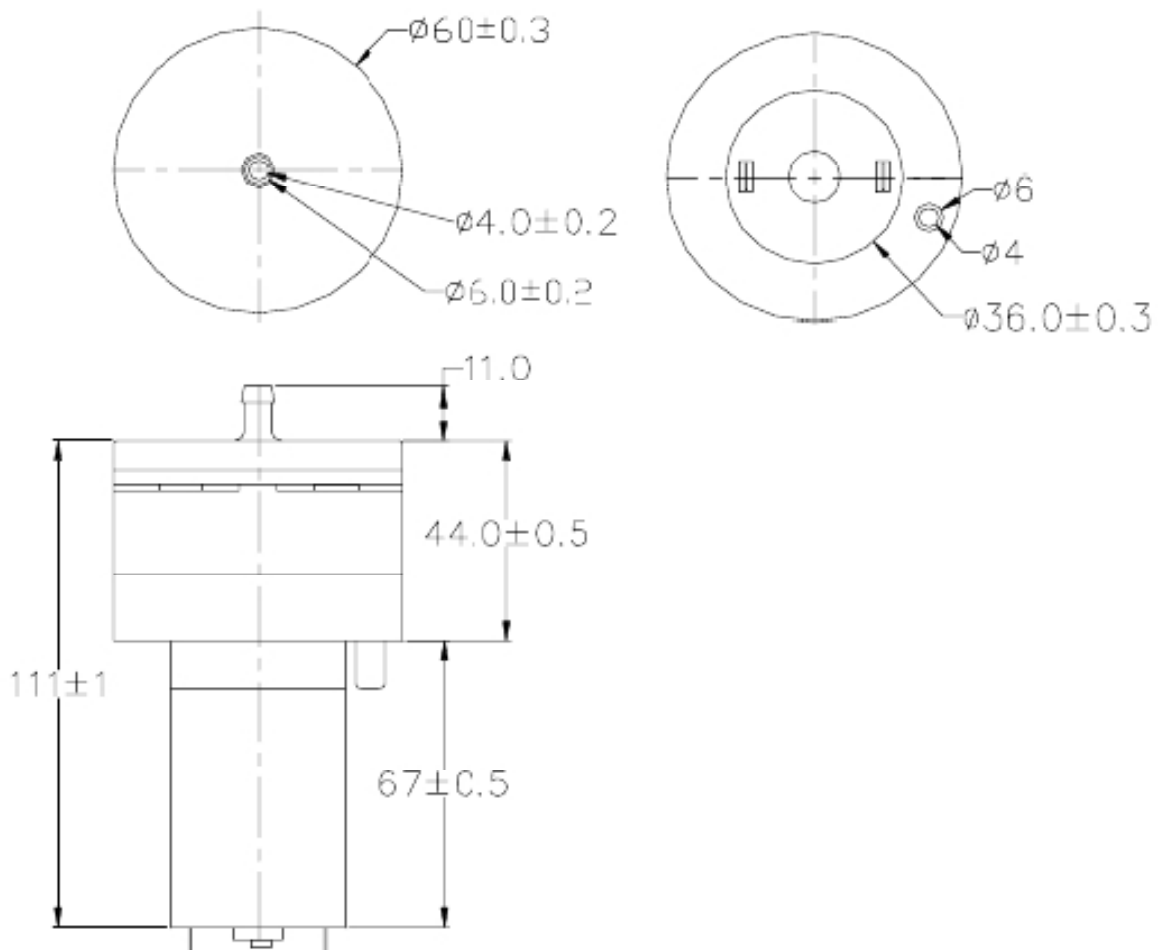
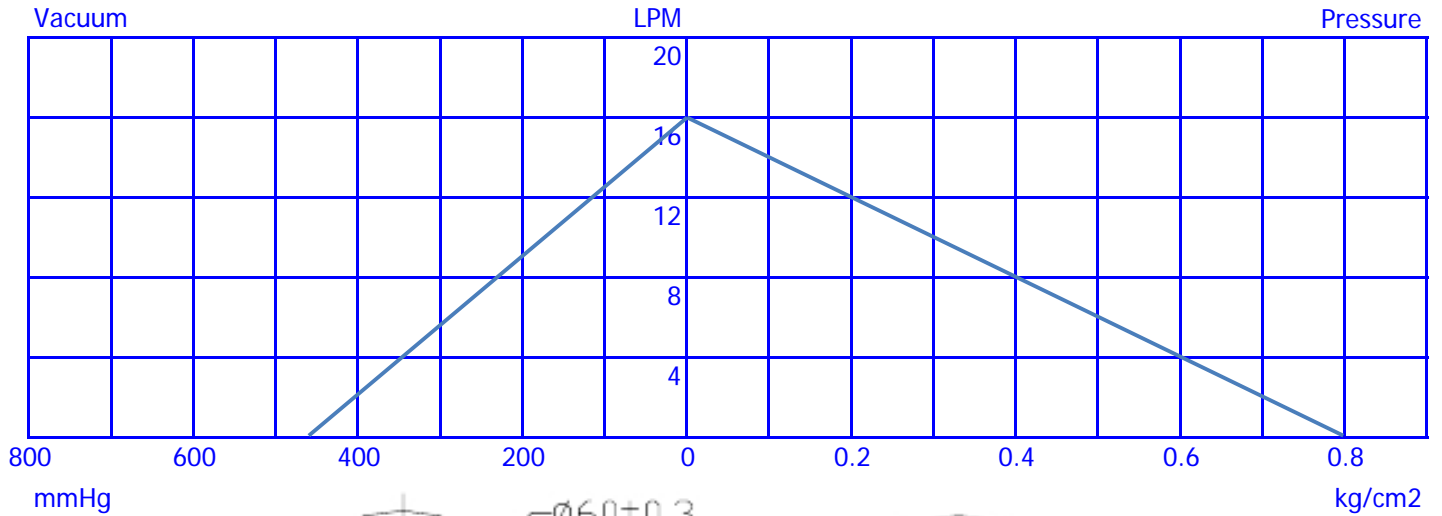
Ph. 949-680-4242, Fax. 949-680-4243, Email: Sales@Gtek-Automation.com

Web Site: Gtek-Automation.com

GTEK AUTOMATION

A Division of Pacific Air Engineering, Inc.

Performance Curve:



GTEK AUTOMATION

A Division of Pacific Air Engineering, Inc.

26212 Dimension Drive, Suite 150, Lake Forest, CA 92630

Ph. 949-680-4242, Fax. 949-680-4243, Email: Sales@Gtek-Automation.com

Web Site: Gtek-Automation.com