

FasMate[®]

Fastest[®]
Your Productivity Connection

- ✓ Instant Connection to Internal Threaded Ports
- ✓ Seals to 5000 psi for Pneumatic and Hydraulic Testing
- ✓ Safe, Reliable, Leak Tight Connections
- ✓ Eliminate Thread or Product Damage, Sealants and Wrench Tightening
- ✓ Durable Stainless Steel Construction. Available in Multiple Thread Profiles



FasMate - Instant Threaded Connections

Fastest 's patented squeeze lever actuation and split collet design of the **FasMate** FN Series connector provides an instant connection that can significantly decrease the time needed for pressure and vacuum testing, filling, flushing and performance testing. The squeeze lever / split collet operation uses no thread sealant, no wrench tightening and will not damage the port threads. It's rugged design is ideal for production use and FN offers the following actuations methods: squeeze lever, pneumatic pilot or pneumatic thumb valve.

Connectors for Internal (Female) Threads



- Instant connections from vacuum to 5000 psi eliminate tape, sealants and wrenches
- Compatible to NPT, SAE O-Ring, BSPP and ISO O-Ring threads
- No damage to threaded parts
- Durable stainless steel construction

Lever Actuated - NPT Threads

Part Number	Connects to	Rated PSI	Term Thread	Term Diameter	Body Size	Housing Material	Seal Material	Main Seals Package (5)
FNL-022021	1/8" NPT	5000	1/8" NPT	0.60"	BS1	Stainless Steel	Buna N	S1108-B70
FNL-042041	1/4" NPT		1/4" NPT	0.75"	BS2			S21250327-B60
FNL-062061	3/8" NPT		3/8" NPT	0.90"	BS3			S1112-B70
FNL-082081	1/2" NPT		1/2" NPT	1.10"	BS4			S1208-B70

Lever Actuated - SAE O-Ring Threads

Part Number	Connects to	Rated PSI	Term Thread	Term Diameter	Body Size	Housing Material	Seal Material	Main Seals Package (5)
FNL-044021	-4 (7/16-20)	5000	1/8" NPT	0.60"	BS1	Stainless Steel	Buna N	S1109-B70
FNL-054041	-5 (1/2-20)		1/4" NPT	0.75"	BS2			S21250327-B60
FNL-064041	-6 (9/16-18)		1/4" NPT	0.75"	BS3			S1111-B70
FNL-084061	-8 (3/4-16)		3/8" NPT	0.90"	BS4			S1207-B70

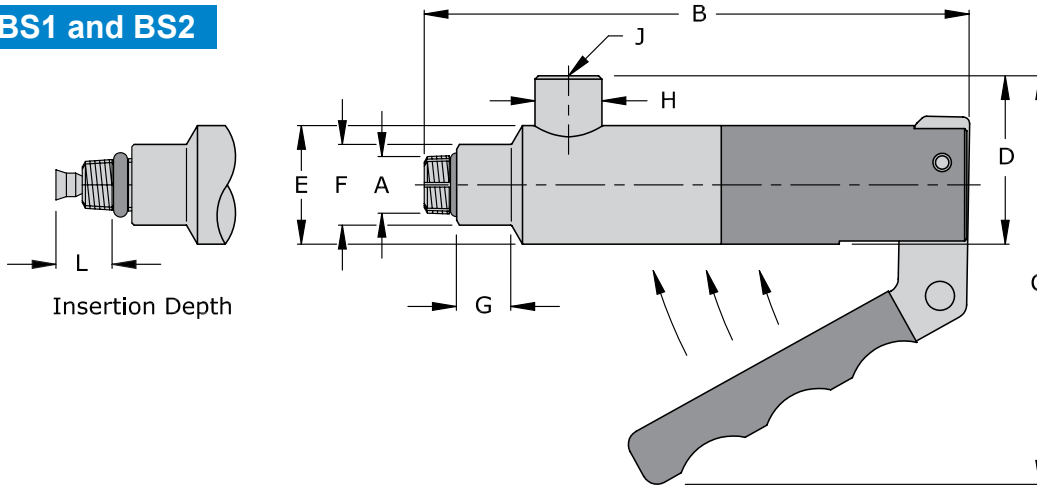
Lever Actuated - BSPP Threads

Part Number	Connects to	Rated PSI	Term Thread	Term Diameter	Body Size	Housing Material	Seal Material	Main Seals Package (5)
FNL-026021	1/8" BSPP	5000	1/8" NPT	0.60"	BS1	Stainless Steel	Buna N	S1108-B70
FNL-046041	1/4" BSPP		1/4" NPT	0.75"	BS2			S21250327-B60
FNL-066061	3/8" BSPP		3/8" NPT	0.90"	BS3			S1112-B70
FNL-086081	1/2" BSPP		1/2" NPT	1.10"	BS4			S1208-B70

Lever Actuated - ISO O-Ring Metric Threads

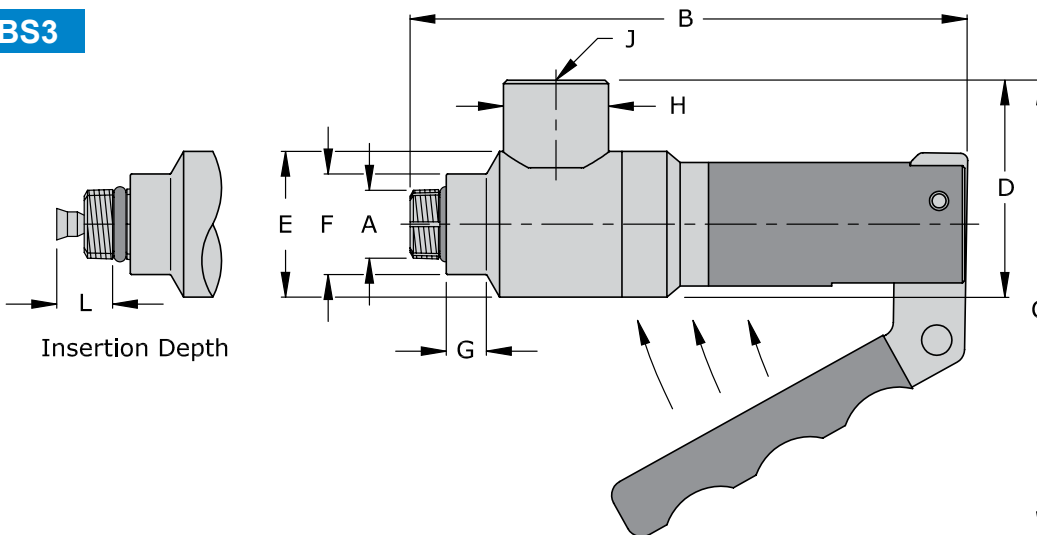
Part Number	Connects to	Rated PSI	Term Thread	Term Diameter	Body Size	Housing Material	Seal Material	Main Seals Package (5)
FNL-108021	M10x1.0	5000	1/8" NPT	0.60"	BS1	Stainless Steel	Buna N	S1108-B70
FNL-128041	M12x1.5		1/4" NPT	0.75"	BS2			S21250327-B60
FNL-148041	M14x1.5		1/4" NPT	0.75"	BS2			S21250327-B60
FNL-168061	M16x1.5		3/8" NPT	0.90"	BS3			S1112-B70
FNL-188061	M18x1.5		3/8" NPT	0.90"	BS4			S1206-B70
FNL-228081	M22x1.5		1/2" NPT	1.10"	BS4			S1209-B70

BS1 and BS2



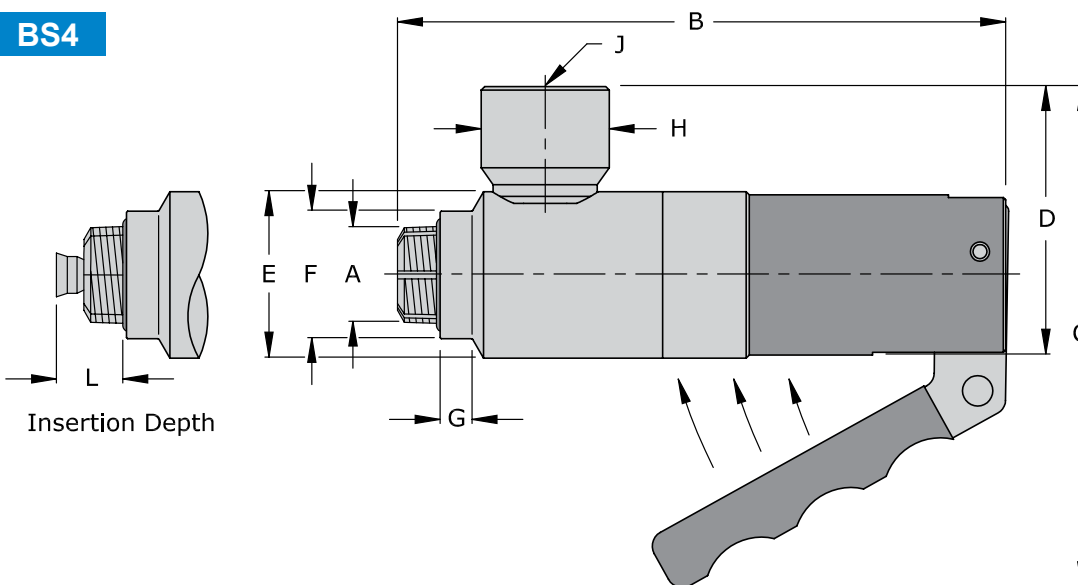
Dim	BS1	BS2
"A"	See Connects to	
"B"	4.80"	5.00"
"C"	3.70"	4.00"
"D"	1.50"	1.70"
"E"	1.06"	1.06"
"F"	0.65"	0.72"
"G"	0.50"	0.50"
"H"	0.60"	0.75"
"J"	1/8" NPT	1/4" NPT
"L"	0.55"	0.67"

BS3



Dim	BS3
"A"	See Connects to
"B"	5.00"
"C"	3.90"
"D"	1.86"
"E"	1.25"
"F"	0.86"
"G"	0.35"
"H"	See Term Diameter
"J"	See Term Thread
"L"	0.67"

BS4



Dim	BS4
"A"	See Connects to
"B"	5.27"
"C"	4.40"
"D"	2.33"
"E"	1.43"
"F"	1.09"
"G"	0.27"
"H"	See Term Diameter
"J"	See Term Thread
"L"	0.76"

Connectors for Internal (Female) Threads



- Instant connections from vacuum to 5000 psi eliminate tape, sealants and wrenches
- Compatible to NPT, SAE O-Ring, BSPP and ISO O-Ring threads
- No damage to threaded parts
- Durable stainless steel construction

Thumb Valve Actuated - NPT Threads

Part Number	Connects to	Rated PSI	Term Thread	Term Diameter	Body Size	Housing Material	Seal Material	Main Seals Package (5)
FNV-022021	1/8" NPT	5000	1/8" NPT	0.60"	BS1	Stainless Steel	Buna N	S1108-B70
FNV-042041	1/4" NPT		1/4" NPT	0.75"	BS2			S21250327-B60
FNV-062061	3/8" NPT		3/8" NPT	0.90"	BS3			S1112-B70
FNV-082081	1/2" NPT		1/2" NPT	1.10"	BS4			S1208-B70

Thumb Valve Actuated - SAE O-Ring Threads

Part Number	Connects to	Rated PSI	Term Thread	Term Diameter	Body Size	Housing Material	Seal Material	Main Seals Package (5)
FNV-044021	-4 (7/16-20)	5000	1/8" NPT	0.60"	BS1	Stainless Steel	Buna N	S1109-B70
FNV-054041	-5 (1/2-20)		1/4" NPT	0.75"	BS2			S21250327-B60
FNV-064041	-6 (9/16-18)		1/4" NPT	0.75"	BS3			S1111-B70
FNV-084061	-8 (3/4-16)		3/8" NPT	0.90"	BS4			S1207-B70

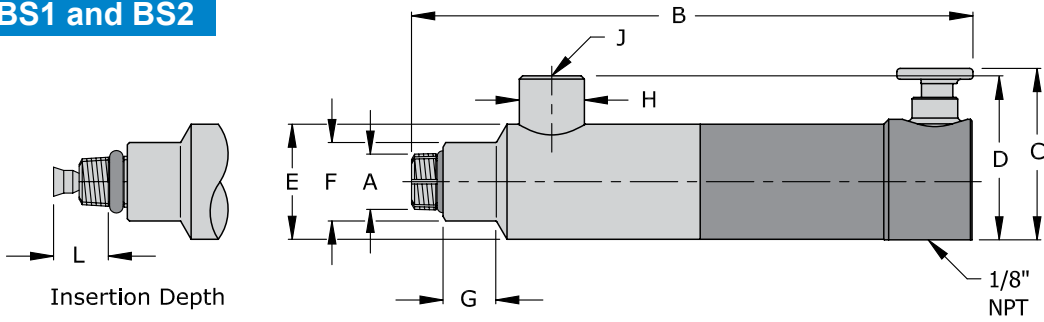
Thumb Valve Actuated - BSPP Threads

Part Number	Connects to	Rated PSI	Term Thread	Term Diameter	Body Size	Housing Material	Seal Material	Main Seals Package (5)
FNV-026021	1/8" BSPP	5000	1/8" NPT	0.60"	BS1	Stainless Steel	Buna N	S1108-B70
FNV-046041	1/4" BSPP		1/4" NPT	0.75"	BS2			S21250327-B60
FNV-066061	3/8" BSPP		3/8" NPT	0.90"	BS3			S1112-B70
FNV-086081	1/2" BSPP		1/2" NPT	1.10"	BS4			S1208-B70

Thumb Valve Actuated - ISO O-Ring Metric Threads

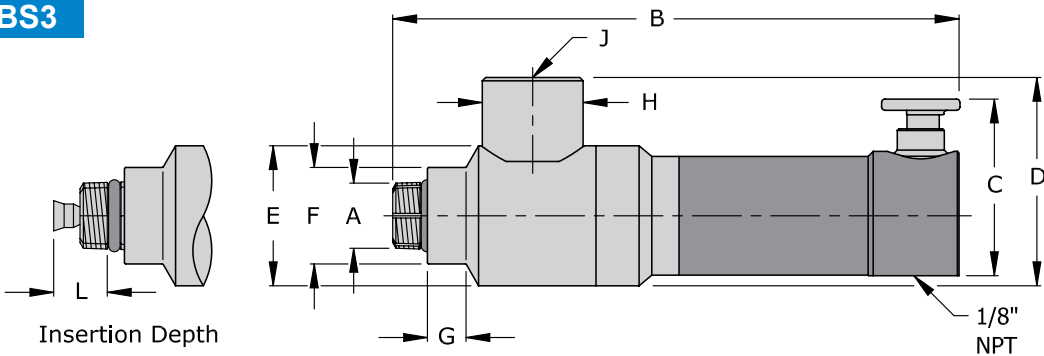
Part Number	Connects to	Rated PSI	Term Thread	Term Diameter	Body Size	Housing Material	Seal Material	Main Seals Package (5)
FNV-108021	M10x1.0	5000	1/8" NPT	0.60"	BS1	Stainless Steel	Buna N	S1108-B70
FNV-128041	M12x1.5		1/4" NPT	0.75"	BS2			S21250327-B60
FNV-148041	M14x1.5		1/4" NPT	0.75"	BS2			S21250327-B60
FNV-168061	M16x1.5		3/8" NPT	0.90"	BS3			S1112-B70
FNV-188061	M18x1.5		3/8" NPT	0.90"	BS4			S1206-B70
FNV-228081	M22x1.5		1/2" NPT	1.10"	BS4			S1209-B70

BS1 and BS2



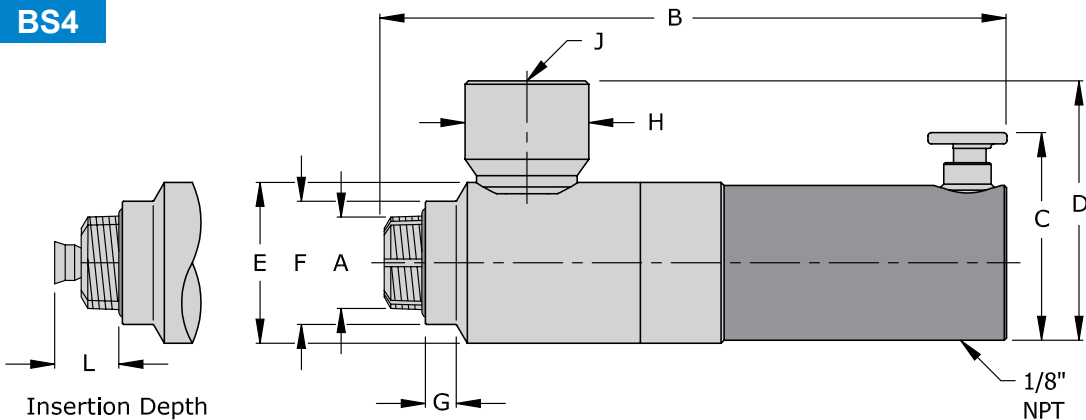
Dim	BS1	BS2
"A"	See Connects to	
"B"	5.13"	5.21"
"C"	1.58"	1.58"
"D"	1.50"	1.70"
"E"	1.06"	1.06"
"F"	0.65"	0.72"
"G"	0.50"	0.50"
"H"	0.60"	0.75"
"J"	1/8" NPT	1/4" NPT
"L"	0.55"	0.67"

BS3



Dim	BS3
"A"	See Connects to
"B"	5.05"
"C"	1.58"
"D"	1.86"
"E"	1.25"
"F"	0.86"
"G"	0.35"
"H"	See Term Diameter
"J"	See Term Thread
"L"	0.67"

BS4



Dim	BS4
"A"	See Connects to
"B"	5.27"
"C"	1.85"
"D"	2.33"
"E"	1.43"
"F"	1.09"
"G"	0.27"
"H"	See Term Diameter
"J"	See Term Thread
"L"	0.76"

Connectors for Internal (Female) Threads



- Instant connections from vacuum to 5000 psi eliminate tape, sealants and wrenches
- Compatible to NPT, SAE O-Ring, BSPP and ISO O-Ring threads
- No damage to threaded parts
- Durable stainless steel construction

Pneumatic Actuated - NPT Threads

Part Number	Connects to	Rated PSI	Term Thread	Term Diameter	Body Size	Housing Material	Seal Material	Main Seals Package (5)
FNP-022021	1/8" NPT	5000	1/8" NPT	0.60"	BS1	Stainless Steel	Buna N	S1108-B70
FNP-042041	1/4" NPT		1/4" NPT	0.75"	BS2			S21250327-B60
FNP-062061	3/8" NPT		3/8" NPT	0.90"	BS3			S1112-B70
FNP-082081	1/2" NPT		1/2" NPT	1.10"	BS4			S1208-B70

Pneumatic Actuated - SAE O-Ring Threads

Part Number	Connects to	Rated PSI	Term Thread	Term Diameter	Body Size	Housing Material	Seal Material	Main Seals Package (5)
FNP-044021	-4 (7/16-20)	5000	1/8" NPT	0.60"	BS1	Stainless Steel	Buna N	S1109-B70
FNP-054041	-5 (1/2-20)		1/4" NPT	0.75"	BS2			S21250327-B60
FNP-064041	-6 (9/16-18)		1/4" NPT	0.75"	BS3			S1111-B70
FNP-084061	-8 (3/4-16)		3/8" NPT	0.90"	BS4			S1207-B70

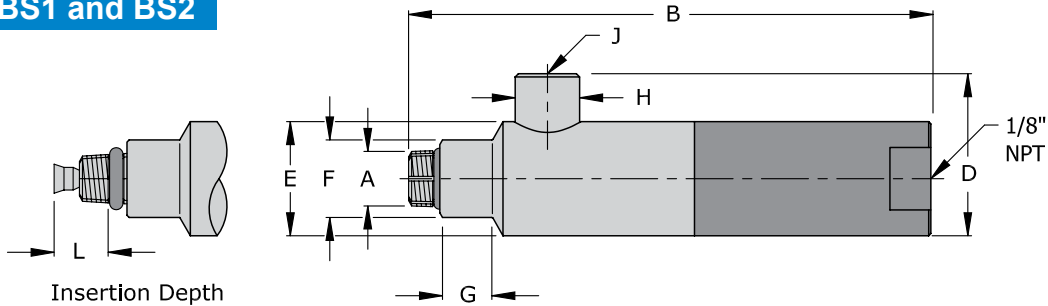
Pneumatic Actuated - BSPP Threads

Part Number	Connects to	Rated PSI	Term Thread	Term Diameter	Body Size	Housing Material	Seal Material	Main Seals Package (5)
FNP-026021	1/8" BSPP	5000	1/8" NPT	0.60"	BS1	Stainless Steel	Buna N	S1108-B70
FNP-046041	1/4" BSPP		1/4" NPT	0.75"	BS2			S21250327-B60
FNP-066061	3/8" BSPP		3/8" NPT	0.90"	BS3			S1112-B70
FNP-086081	1/2" BSPP		1/2" NPT	1.10"	BS4			S1208-B70

Pneumatic Actuated - ISO O-Ring Metric Threads

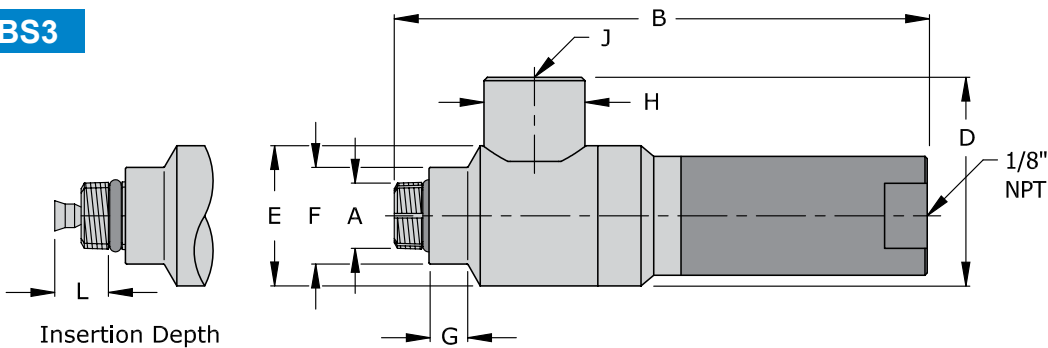
Part Number	Connects to	Rated PSI	Term Thread	Term Diameter	Body Size	Housing Material	Seal Material	Main Seals Package (5)
FNP-108021	M10x1.0	5000	1/8" NPT	0.60"	BS1	Stainless Steel	Buna N	S1108-B70
FNP-128041	M12x1.5		1/4" NPT	0.75"	BS2			S21250327-B60
FNP-148041	M14x1.5		1/4" NPT	0.75"	BS2			S21250327-B60
FNP-168061	M16x1.5		3/8" NPT	0.90"	BS3			S1112-B70
FNP-188061	M18x1.5		3/8" NPT	0.90"	BS4			S1206-B70
FNP-228081	M22x1.5		1/2" NPT	1.10"	BS4			S1209-B70

BS1 and BS2



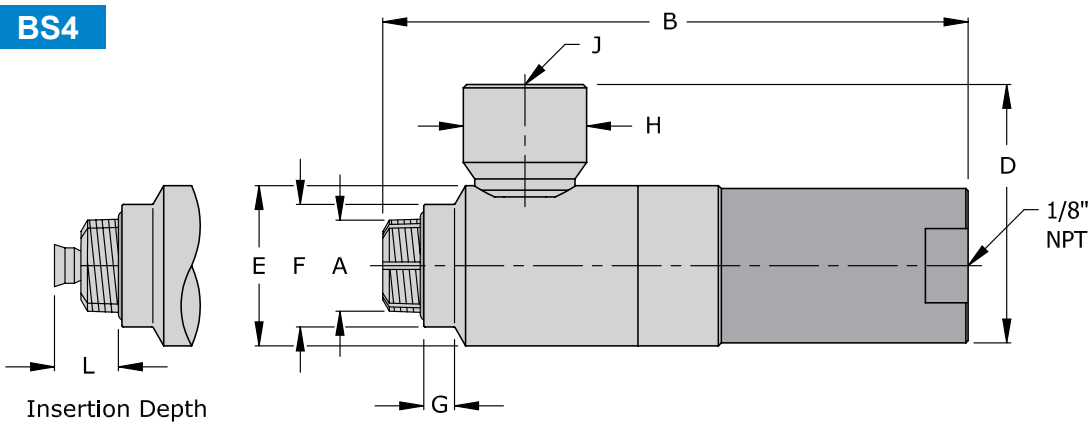
Dim	BS1	BS2
"A"	See Connects to	
"B"	4.90"	5.00"
"C"	N/A	N/A
"D"	1.50"	1.70"
"E"	1.06"	1.06"
"F"	0.65"	0.72"
"G"	0.50"	0.50"
"H"	0.60"	0.75"
"J"	1/8" NPT	1/4" NPT
"L"	0.55"	0.67"

BS3



Dim	BS3
"A"	See Connects to
"B"	4.80"
"C"	N/A
"D"	1.86"
"E"	1.25"
"F"	0.86"
"G"	0.35"
"H"	See Term Diameter
"J"	See Term Thread
"L"	0.67"

BS4



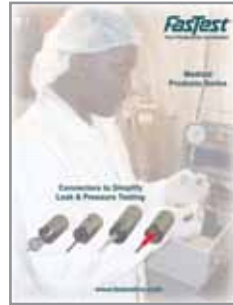
Dim	BS4
"A"	See Connects to
"B"	5.34"
"C"	N/A
"D"	2.33"
"E"	1.43"
"F"	1.09"
"G"	0.27"
"H"	See Term Diameter
"J"	See Term Thread
"L"	0.76"

Additional Products and Brochures from FasTest



Engineering & Application Guide

Engineering and Application Guide to Connectors for Pressure Testing & Processing details our complete offering for all applications.



Medical Connectors

Versatile product line of connectors for sealing and testing a wide variety of medical products and drug delivery devices.



Refrigeration Connectors

The **CoreMax** system of high flow processing valves and connectors for the refrigeration manufacturing and service industry.

Additional Services from FasTest

Buy Fast-est - Several models of our most popular **TwistMates** connectors and seals featured in this brochure are available for immediate purchase in our on-line store in small quantities.

To see what models are currently available as well as other selected connectors please visit our on-line store at www.fastestinc.com or contact **FasTest** for details.

Buy Fast-est

ReConnect - Our connector refurbishment and competitor replacement program ensures proper connector operation and performance and extends the service life and warranty of your investment. Connectors routinely maintained can be refurbished or replaced economically relative the cost of a new connector replacement. Visit www.fastestinc.com/reconnect or contact **FasTest** for details.

ReConnect

Custom Applications - Customized products are available for unusual or unique connection requirements.

Limited Express Warranty

FasTest Inc. warrants its products against defects in workmanship and materials for 12 months from the date of sale by FasTest Inc. or its authorized distributor. This warranty is void if the product is misused, tampered with or used in a manner that is contrary to FasTest Inc.'s written recommendations and/or instructions.

FasTest Inc. does not warrant the suitability of the product for any particular application. Determining product application suitability is solely the customer's responsibility. FasTest Inc. is not liable for consequential or other damages including, but not limited to, loss, damage, personal injury, or any other expense directly or indirectly arising from the use of or inability to use its products either separately or in combination with other products.

ALL OTHER WARRANTIES EXPRESS OR IMPLIED, WHETHER ORAL, WRITTEN OR IN ANY OTHER FORM, INCLUDING BUT NOT LIMITED TO WARRANTIES OF MERCHANTABILITY OR FITNESS FOR A PARTICULAR PURPOSE ARE EXPRESSLY EXCLUDED.

The sole and exclusive remedy under this warranty is limited to replacement of the product or an account credit in the amount of the original selling price, at the option of FasTest Inc. All allegedly defective products must be returned prepaid transportation to FasTest Inc., together with information describing the product's performance, unless disposition in the field is authorized in writing by FasTest Inc.

Notifications and Copyright

Specifications in this brochure are subject to change without notice. FasTest also reserves the right to make modifications and makes no guarantee of the accuracy of the information contained herein.

© 2010 FasTest Inc. All rights reserved. No part of this publication may be reproduced with written without permission.