

Series CR/CV Clean Cylinder

Bore size : CR/CV-

ARD ϕ 50, ϕ 63

AQ2 ϕ 12, ϕ 16, ϕ 20, ϕ 25, ϕ 32,
 ϕ 40, ϕ 50, ϕ 63

AX ϕ 20, ϕ 16, ϕ 32, ϕ 40

AGL ϕ 12, ϕ 16, ϕ 20, ϕ 32, ϕ 40,
 ϕ 50, ϕ 63

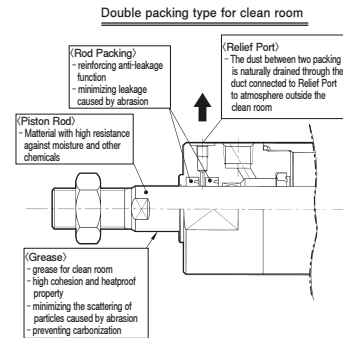
NLCD ϕ 8, ϕ 16, ϕ 20, ϕ 25, ϕ 32



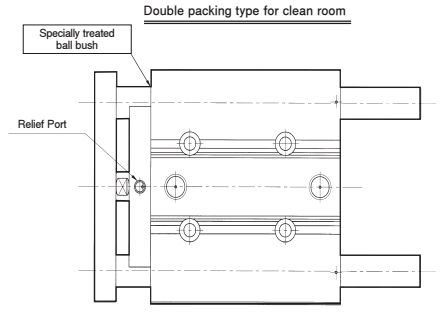
- Separated purity use in accordance with the level of particle generation.
- Preventing particle from flowing into clean room.
- Realizing high purity environment.
- Compact and light weight of clean system.

Introduction of Clean Series Cylinder

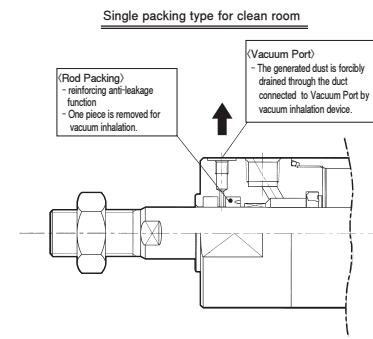
CR Type (Draining Particles)



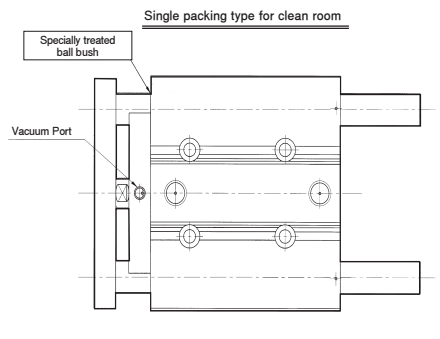
Cylinder with CR Type guide (preventing the generation of particles)



CV Type (vacuum inhalation type)



Cylinder with CR Type guide



Division	Grease	Cylinder Structure	Bearing in the Guide Part	Material of Guide Part	Main Series
CR type	In the family line of fluorine	Couple packing open to atmosphere	-	-	ARD,AQ2,AX,NLCD
CV type	In the family line of fluorine	Single packing vacuum inhalation	-	-	
Cylinder with CR type	In the family line of fluorine	Couple packing open to atmosphere	Ball bush bearing	SUS440C+surface treatment	AGL
Cylinder with CV type	In the family line of fluorine	Single packing vacuum inhalation	Ball bush bearing	SUS440C+surface treatment	

Series Clean AX (ϕ 20,25,32,40)



Series Clean AQ2 (ϕ 12,16,20,25,32,40,50,63)



Series Clean NLCD (ϕ 8,16,20,25,32)



Series Clean ARD (ϕ 50,63)



Series Clean AGL (ϕ 12,16,20,32,40,50,63)

