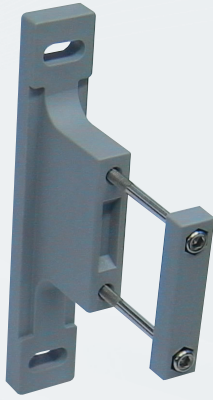


Accessories

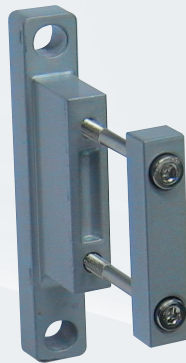
T-Bracket assembly

Standard Specifications

Specifications	PC2	PC3	PC4	PC5
Item number	PC2A-33A002	PC3A-33A002	PC4A-33A002	PC5A-33A002
Material	Nylon	Aluminum	Aluminum+Zinc	Aluminum



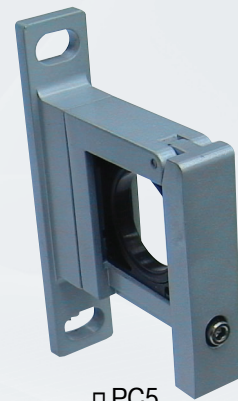
□ PC2



□ PC3



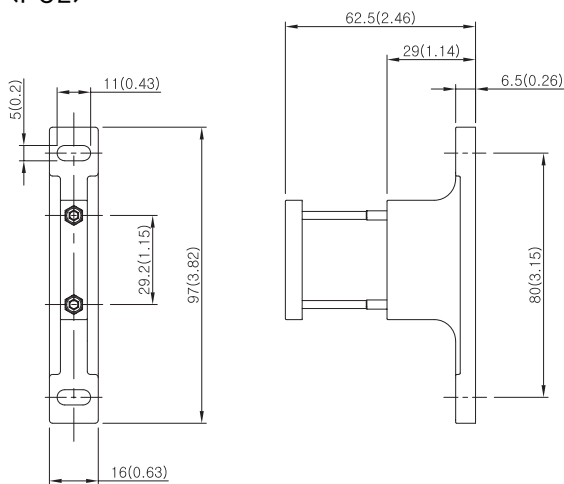
□ PC4



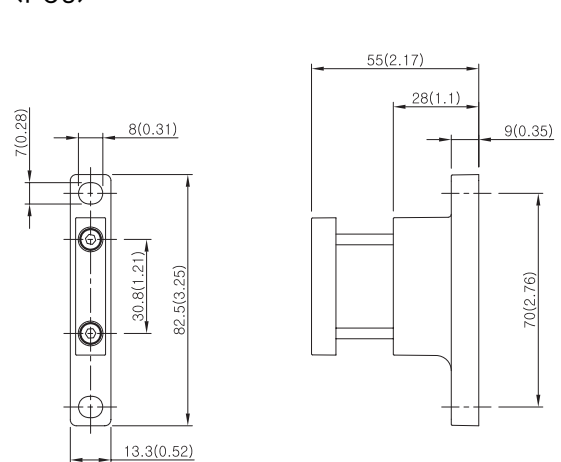
□ PC5

Dimensions

<PC2>

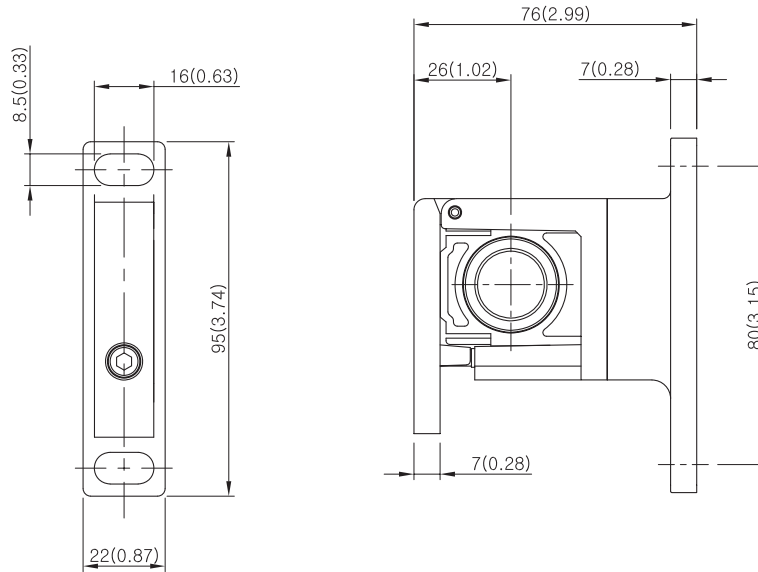


<PC3>



■ **Dimensions**

<PC4>



<PC5>

