

Slow-Start Valve



<Grommet type>



<Din type>

Standard Specifications

Fluid	Air	
Operating pressure range	0.3~1.0 MPa(44~140psi) (3~10 kgf/cm ²)	
Max fluid and ambient temperature	Max 50°C(122°F)	
Allowable voltage	-15 ~ +10 % of rated voltage	
Max. operating frequency	2 positions	5 c/s
	3 positions	3 c/s
Min. operating frequency	1 time per 30 days(based on KS B6356)	
Lubrication	Non lube	
Impact / Vibration resistance	30G / 5G (8.3~200 Hz)	
Protection structure	Dust proof	
Position of installation	No restriction (horizontal, vertical)	
Manual operation	Non Locking	
Lead wire	Grommet, Din terminal	
Voltage	24V DC, 12V DC	
Effective cross section (Cv)	Over 63 mm ² (3.5) (0.098 in ²)	
Power consumption (AC)	Inrush	5.6 VA(50 Hz), 5.0 VA(60 Hz)
	Holding	3.3 VA(50 Hz), 2.3 VA(60 Hz)
Power consumption (DC)	1.8W / 2W(Lamp)	

How to order

Slow-Start Valve

SSV 4 — 5 DZ * — * 04 *

Series (Slow-Start Valve) — SSV

F4 Series — 4

Voltage — 5

1	AC110V (50/60Hz)
2	AC220V (50/60Hz)
3	AC120V (50/60Hz)
4	AC240V (50/60Hz)
5	DC24V
6	DC12V
7	DC6V
8	AC24V (50/60Hz)
9	DC100V

Electrical entry — DZ

G	Grommet type
DZ	Din type connector attached (with indicator light/surge voltage suppressor)
N	Din connector type (No connector included)

Pressure gauge — *

Blank	None
P	With pressure gauge

Threads — *

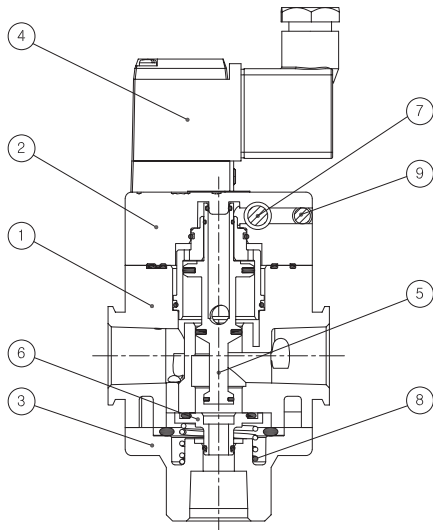
Blank	Rc (PT)
N	NPT
G	G (PF)

Manual override — *

Blank	Non-locking push type
C	Locking(Rotation type)

Note1) The grommet has direct coupling type lead wire, but without indicator light.

Construction



Main Parts / Parts List

No.	Description	Material	Remarks
①	Body	Aluminum	
②	T-Cover	Aluminum	
③	B-Cover	Aluminum	
④	Pilot ass'y	-	
⑤	Piston	Aluminum	
⑥	Poppet	Brass	
⑦	Needle	Brass	
⑧	Poppet Spring	Stainless steel	
⑨	Steel ball	Stainless steel	

Dimensions

