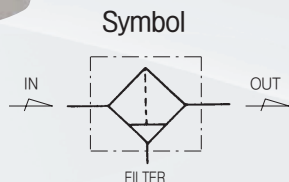


PF2 Series

Air Filter 1/8" and 1/4"

Air Filter



Standard Specifications

Fluid	Air	
Max. operating pressure (MPa)	1.0(140psi)	
Proof pressure (MPa)	1.5(200psi)	
Ambient and fluid temperature (°C)	-5 ~ 60(23~140°F) (Non-freezing)	
Flow rate ※ (Nℓ /min)	1/8"	1,100(39scfm)
	1/4"	1,400(50scfm)
Bowl material	Polycarbonate	
Bowl guard material	Nylon	
Filtration (μm)	5	
Drain capacity (cm ³)	Manual drain : 15(0.51oz)	
	Auto drain : 21(0.71oz)	
Weight (kg)	0.14(0.31lb)	

※ Test conditions : Supply pressure 0.6MPa(90psi), Pressure drop 0.07MPa(10psi)

How to order

PF 2 — ***** **02** **B** **D** — *****

Series (Filter Units) — PF 2

Thread — *

Blank	Rc(PT)
N	NPT
G	G(PF)

Port size — 02

01	1/8
02	1/4

Other Options

Blank	Filter element - 5μm (Standard)		
J2	Filter element - 20μm	R	Flow direction: Right → Left
J4	Filter element - 40μm	XC16	Copper-free

※ When specifying more than one symbol, indicate them alphabetically
Ex) J2R

Drain Options

Blank	Manual Push Drain	Note1)
D	Auto Drain (N.O Type)	
D2	Auto Drain (Piping exhaust)	
D5	Manual Drain (Piping exhaust)	

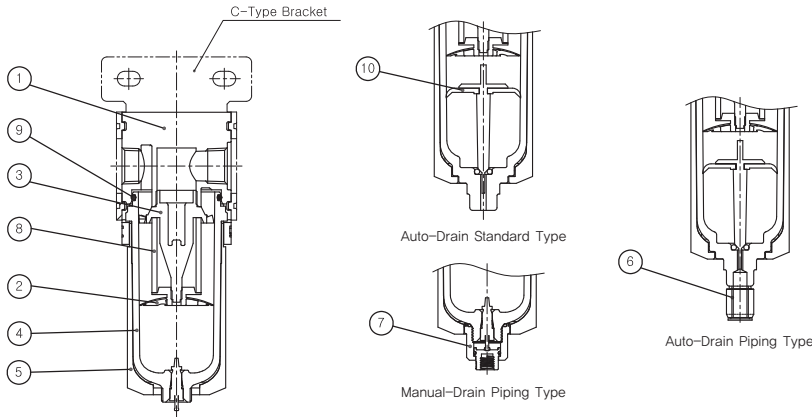
Note1) Min.operating pressure is 0.15MPa(20psi) for Auto Drain (N.O Type)

Bracket Options

Blank	None	Note2)
B	Bracket	

Note2) Separately packed, Not assembled.

Construction



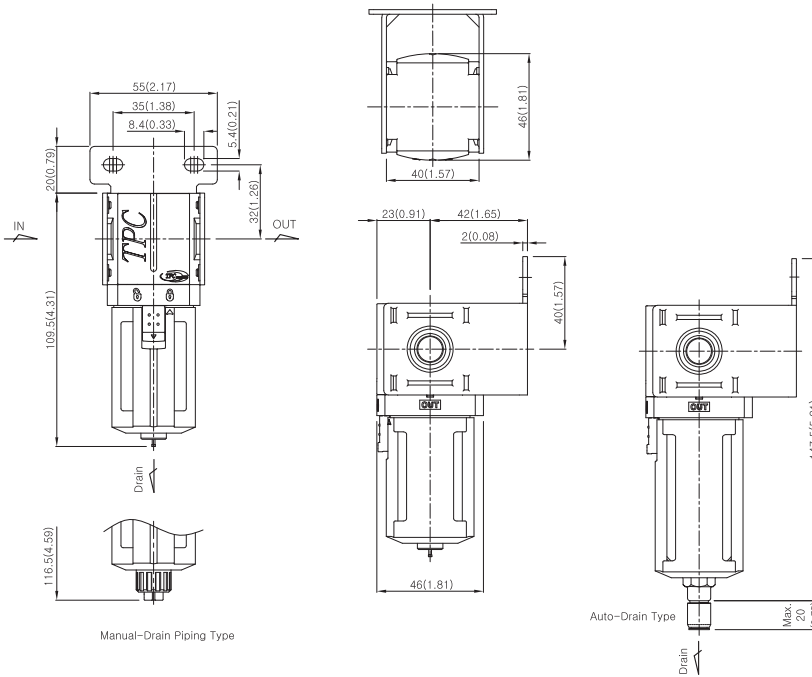
Main Parts / Parts List

No.	Description	Material	Remarks
①	Body	Aluminum	
②	Baffle	Acetal	
③	Deflector	Nylon	
④	Bowl	Polycarbonate	
⑤	Bowl guard	Nylon	
⑥	Fitting	-	
⑦	Manual drain piping ass'y	-	

Replacement Parts / Parts List

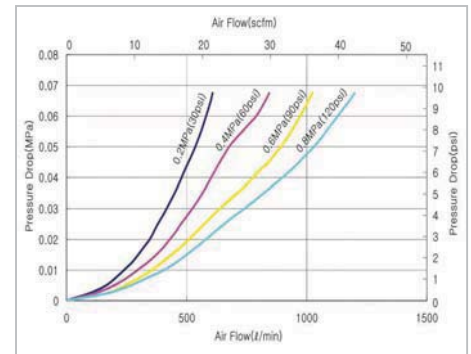
No.	Description	Material	Part No.
⑧	Filter element	Polyethelene	PF2-24-005-01
⑨	Bowl o-ring	NBR	DX2R-53-3000
⑩	Auto drain ass'y	-	PF2-26A002-01

Dimensions

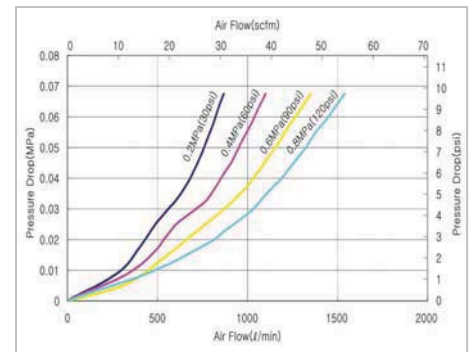


Flow Characteristics

▶ 1/8" PF2



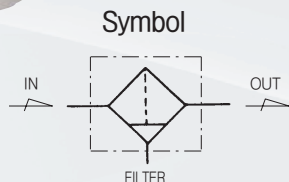
▶ 1/4" PF2



PF3 Series

Air Filter 1/4" and 3/8"

Air Filter

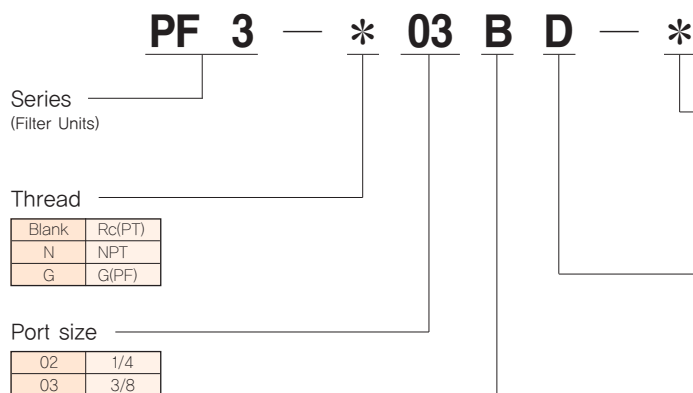


Standard Specifications

Fluid	Air	
Max. operating pressure (MPa)	1.0(140psi)	
Proof pressure (MPa)	1.5(200psi)	
Ambient and fluid temperature (°C)	-5 ~ 60(23~140°F) (No freezing)	
Flow rate ※ (Nℓ /min)	1/4 "	2,100(74scfm)
	1/8 "	3,100(109scfm)
Bowl material	Polycarbonate	
Bowl guard material	Nylon	
Filtration (μm)	5	
Drain capacity (cm ³)	Manual drain : 38(1.28oz)	
	Auto drain : 30(1.01oz)	
Weight (kg)	0.24(0.53lb)	

※ Test conditions : Supply pressure 0.6MPa(90psi), Pressure drop 0.07MPa(10psi)

How to order



Other Options

Blank	Filter element - 5μm	R	Flow direction: Right → Left
J2	Filter element - 20μm	XC16	Copper-free
J4	Filter element - 40μm		

※ When specifying more than one symbol, indicate them alphabetically
Ex) J2R

Drain Options

Blank	Manual Push Drain
D	Auto Drain (N.O Type)

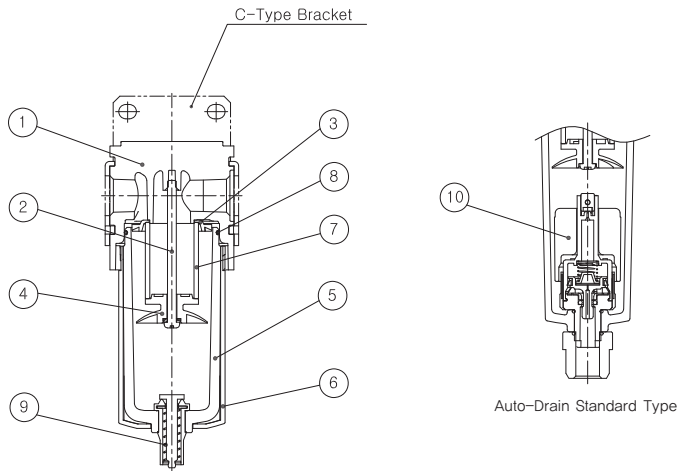
Note1) Min. operating pressure for Auto drain (N.O Type) : 0.15MPa(20psi)

Bracket Options

Blank	None
B	Bracket

Note2) Separately packed,
Not assembled.

Construction



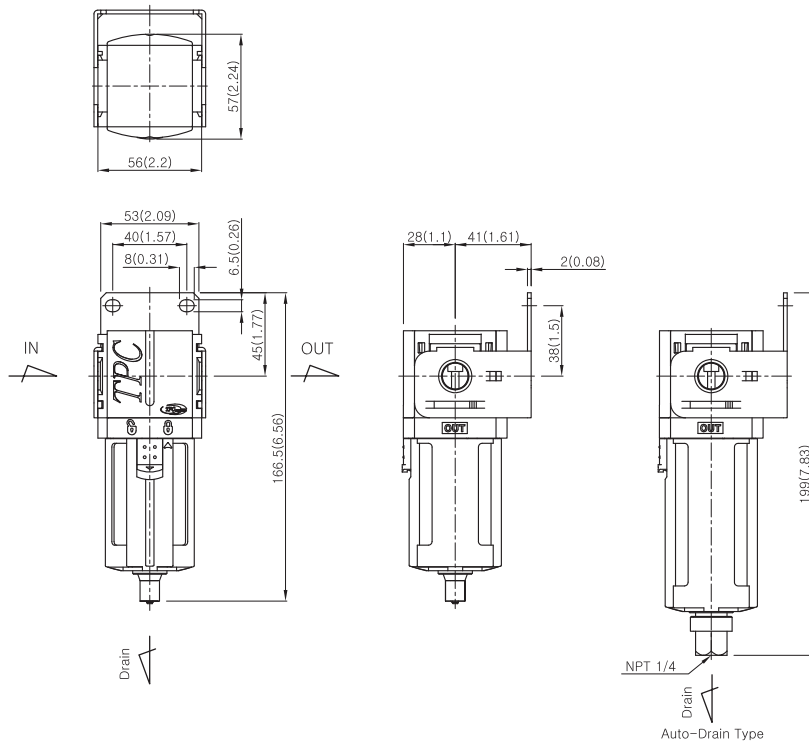
Main Parts / Parts List

No.	Description	Material	Remarks
①	Body	Aluminum	
②	Baffle screw	Rolled steel	
③	Deflector	Nylon	
④	Baffle	Acetal	
⑤	Bowl	Polycarbonate	
⑥	Bowl guard	Nylon	

Replacement Parts / Parts List

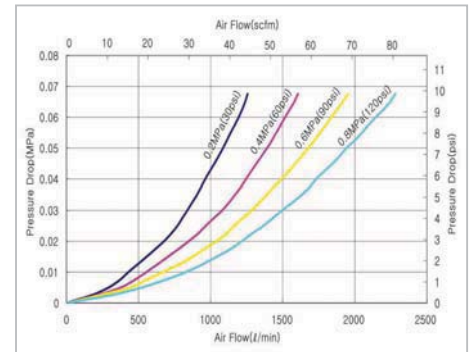
No.	Description	Material	Part No.
⑦	Filter element	Polyethylene	PF3-24-005-01
⑧	Bowl o-ring	NBR	PL3-04-001-01
⑨	Drain ass'y	-	TAF3000-10A-6004
⑩	Auto drain ass'y	-	TAF3000-04A-6008

Dimensions

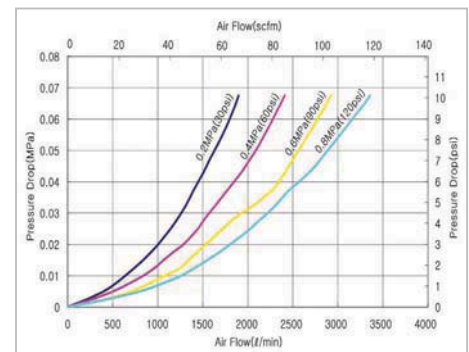


Flow Characteristics

▶ 1/4" PF3



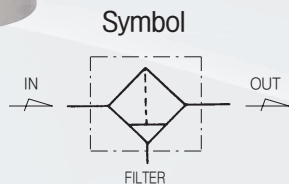
▶ 3/8" PF3



PF4 Series

Air Filter 3/8" and 1/2"

Air Filter

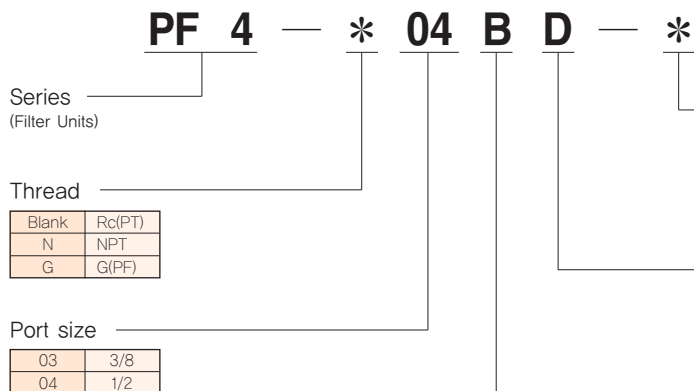


Standard Specifications

Fluid	Air	
Max. operating pressure (MPa)	1.0(140psi)	
Proof pressure (MPa)	1.5(200psi)	
Ambient and fluid temperature (°C)	-5 ~ 60(23~140°F) (No freezing)	
Flow rate ※ (Nℓ /min)	3/8"	4,500(159scfm)
	1/2"	5,600(198scfm)
Bowl material	Polycarbonate	
Bowl guard material	Nylon	
Filtration (μm)	5	
Drain capacity (cm ³)	Manual drain : 56(1.89oz)	
	Auto drain : 68(2.3oz)	
Weight (kg)	0.5(1.1lb)	

※ Test conditions : Supply pressure 0.6MPa(90psi), Pressure drop 0.07MPa(10psi)

How to order



Other Options

Blank	Filter element - 5μm	L	Life Indicator
J2	Filter element - 20μm	R	Flow direction : Right → Left
J4	Filter element - 40μm	XC16	Copper-free

※ When specifying more than one symbol, indicate them alphabetically Ex) J2R

Drain Options

Blank	Manual Push Drain
D	Auto Drain (N.O Type)

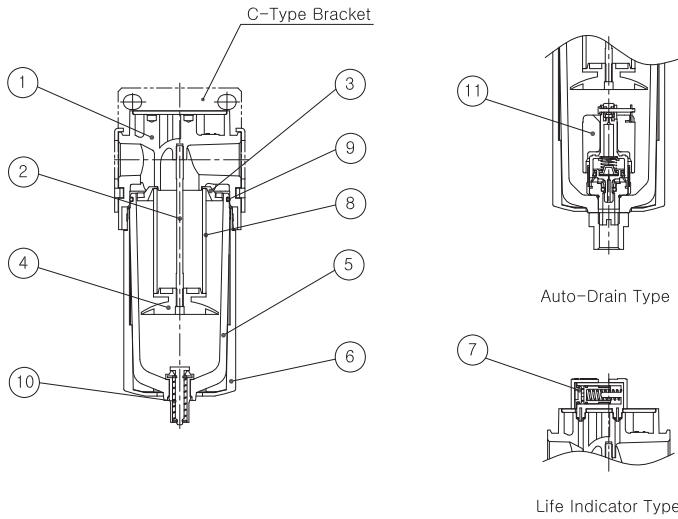
Note1) Min. operating pressure for Auto drain (N.O Type) : 0.15MPa(20psi)

Bracket Options

Blank	None
B	Bracket

Note2) Separately packed, Not assembled.

Construction



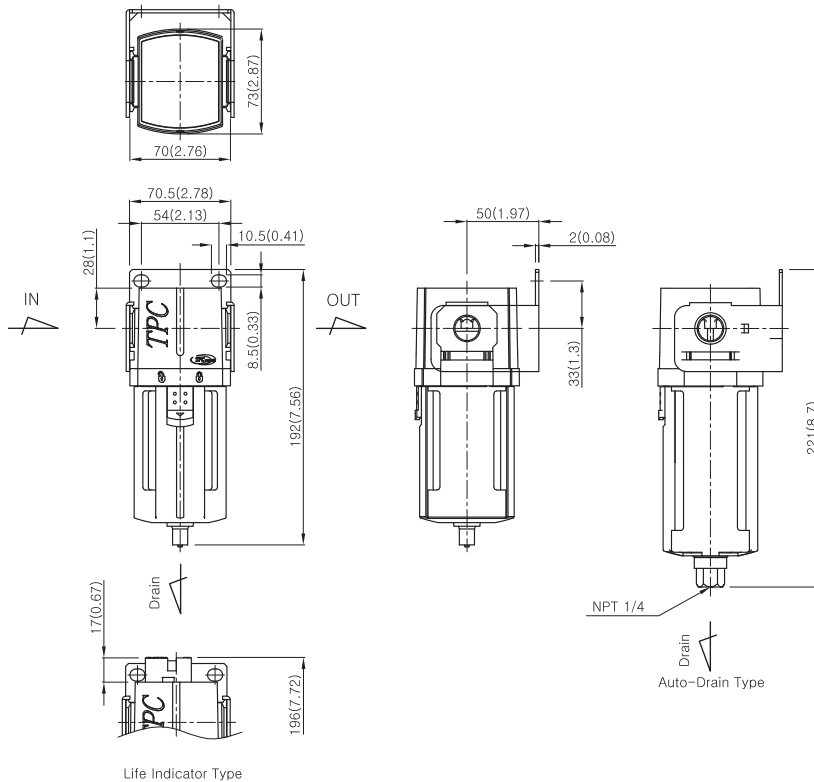
Main Parts / Parts List

No.	Description	Material	Remarks
①	Body	Aluminum	
②	Baffle screw	Rolled steel	
③	Deflector	Nylon	
④	Baffle	Acetal	
⑤	Bowl	Polycarbonate	
⑥	Bowl guard	Nylon	
⑦	Life indicator	-	Option

Replacement Parts / Parts List

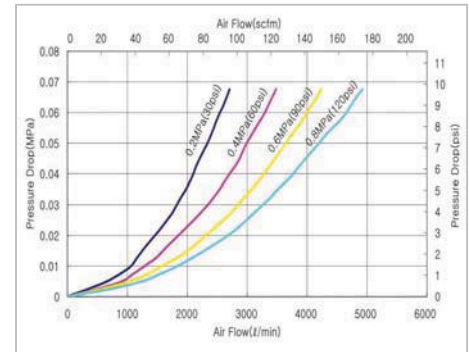
No.	Description	Material	Part No.
⑧	Filter element	Polyethylene	PF4-24-005-01
⑨	Bowl o-ring	NBR	TAF4000-08-6000
⑩	Drain ass'y	-	TAF3000-10A-6004
⑪	Auto drain ass'y	-	TAF3000-04A-6008

Dimensions

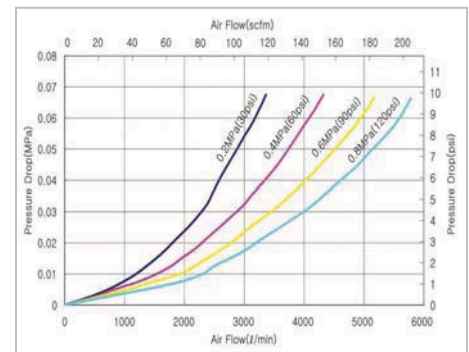


Flow Characteristics

▶ 3/8" PF4



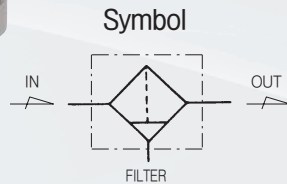
▶ 1/2" PF4



PF5 Series

Air Filter 3/4" and 1"

Air Filter



Standard Specifications

Fluid	Air	
Max. operating pressure (MPa)	1.0(140psi)	
Proof pressure (MPa)	1.5(200psi)	
Ambient and fluid temperature (°C)	-5 ~ 60(23~140°F) (Non-freezing)	
Flow rate ※ (Nℓ /min)	3/4"	8,200(290scfm)
	1"	9,600(339scfm)
Bowl material	Polycarbonate	
Bowl guard material	Nylon	
Filtration (μm)	5	
Drain capacity (cm ³)	Manual drain : 156(5.27oz)	
	Auto drain : 174(5.88oz)	
Weight (kg)	1.10(2.43lb)	

※ Test conditions : Supply pressure 0.6MPa(90psi), Pressure drop 0.07MPa(10psi)

How to order

PF 5 — ***** **10** **B** **D** — *****

Series (Filter Units) — PF 5

Thread — *

Blank	Rc(PT)
N	NPT
G	G(PF)

Port size — 10

06	3/4
10	1

Other Options — *

Blank	Filter element - 5μm	L	Life Indicator
J2	Filter element - 20μm	R	Flow direction : Right → Left
J4	Filter element - 40μm	XC16	Copper-free

* When specifying more than one symbol, indicate them alphabetically Ex) J2R

Drain Options — D

Blank	Manual Push Drain
D	Auto Drain (N.O Type)

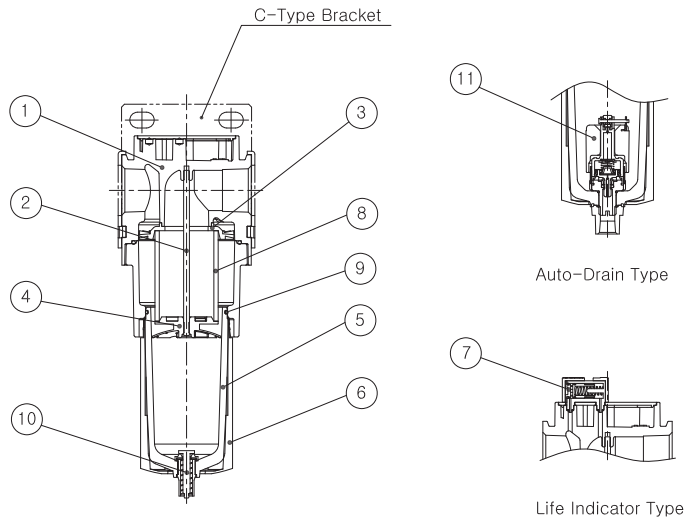
Note1) Min. operating pressure for Auto drain (N.O Type) : 0.15MPa(20psi)

Bracket Options — B

Blank	None
B	Bracket

Note2) Separately packed, Not assembled.

Construction



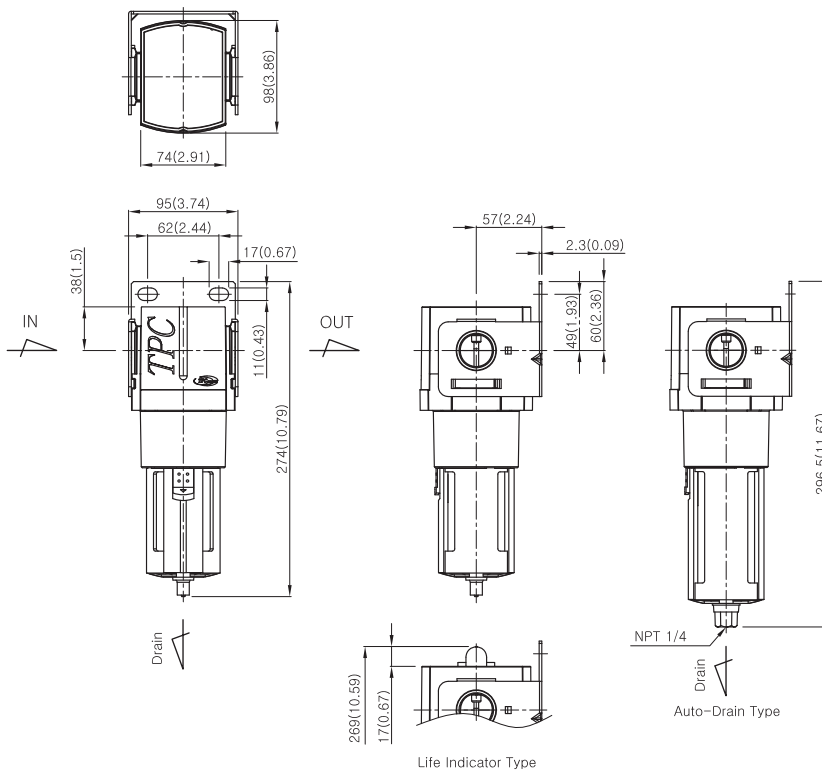
Main Parts / Parts List

No.	Description	Material	Remarks
①	Body	Aluminum	
②	Baffle screw	Rolled steel	
③	Deflector	Nylon	
④	Baffle	Acetal	
⑤	Bowl	Polycarbonate	
⑥	Bowl guard	Nylon	
⑦	Life indicator	-	Option

Replacement Parts / Parts List

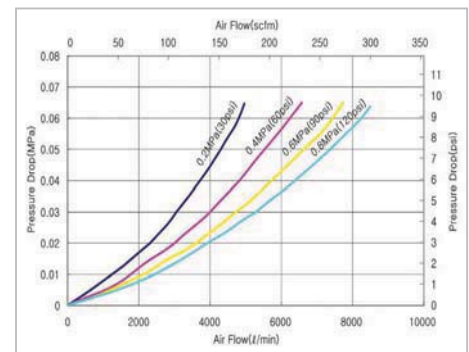
No.	Description	Material	Part No.
⑧	Filter element	Polyethylene	PF5-24-005-01
⑨	Bowl O-ring	NBR	TAF4000-08-6000
⑩	Drain ass'y	-	TAF3000-10A-6004
⑪	Auto drain ass'y	-	TAF3000-04A-6008

Dimensions

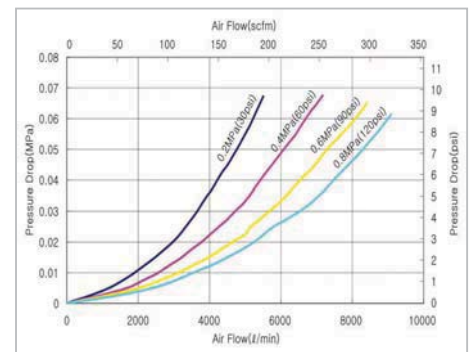


Flow Characteristics

▶ 3/4" PF5



▶ 1" PF5



PFH/PFU Series

Coalescing Filter 1/8", 1/4", 3/8", 1/2", 3/4" and 1"

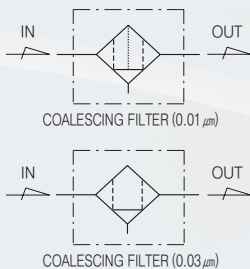


Standard Specifications

Description	PFH/PFU2	PFH/PFU3	PFH/PFU4	PFH/PFU5	
Max. operating pressure (MPa)	1.0(140psi)				
Proof pressure (MPa)	1.5(200psi)				
Ambient and fluid temperature (°C)	-5 ~ 60(23~140° F) (Non-freezing)				
Flow rate ※ (Nℓ/min)	1/8" 200 1/4" (7scfm)	1/4" 450 3/8" (16scfm)	3/8" 1100 1/2" (39scfm)	3/4" 1100 1" (39scfm)	
Bowl material	Polycarbonate				
Bowl guard material	Nylon				
Filtration (μm)	PFH : 0.3, PFU : 0.01				
Drain capacity (cm ³)	Manual	15(0.51oz)	38(1.28oz)	56(1.89oz)	156(5.27oz)
	Auto	21(0.71oz)	30(1.01oz)	68(2.3oz)	174(5.88oz)
Weight(kg)	0.14(0.31oz)	0.24(0.53oz)	0.5(1.1oz)	1.1(2.43oz)	

※ Test conditions : Supply pressure 0.6MPa(90psi), Pressure drop 0.07MPa(10psi)

Symbol



How to order

PFH 4 — * 04 B D — *

Coalescing Filter

PFH	Filtration 0.3μm
PFU	Filtration 0.01μm

Series

2	PC2 Series	4	PC4 Series
3	PC3 Series	5	PC5 Series

Thread

Blank	Rc(PT)
N	NPT
G	G(PF)

Port size

01	1/8	PC2 Series
02	1/4	PC2,3 Series
03	3/8	PC3,4 Series
04	1/2	PC4 Series
06	3/4	PC5 Series
10	1	PC5 Series

Accessories

Symbol	Description	Applicable series
L	Life Indicator	PC4~5 Series
R	Flow direction : Right→Left	PC2~5 Series
XC16	Copper-free	PC2~5 Series

*When specifying more than one symbol, indicate them alphabetically Ex) LRXC16

Drain Options

Symbol	Description	Applicable series
Blank	Manual Push Drain	PC2~PC5
D	Auto Drain (N.O Type)	PC2~PC5
D2	Auto Drain (piping exhaust)	PC2
D5	Manual Drain (piping exhaust)	PC2

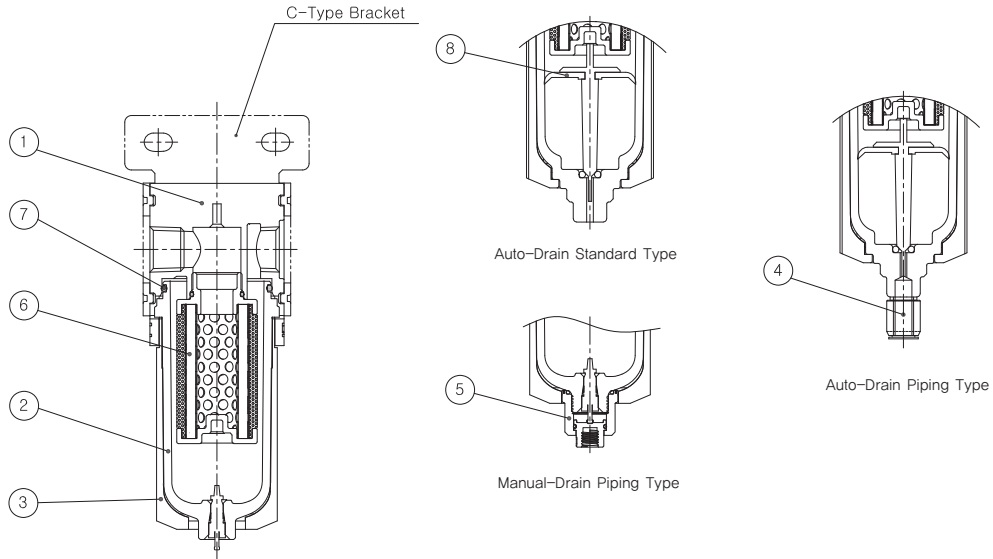
Note1) Min.operating pressure is 0.15MPa(20psi) for Auto Drain (N.O Type)

Bracket Option

Blank	None
B	Bracket

Note2) Separately packed, Not assembled.

PFH2 Construction



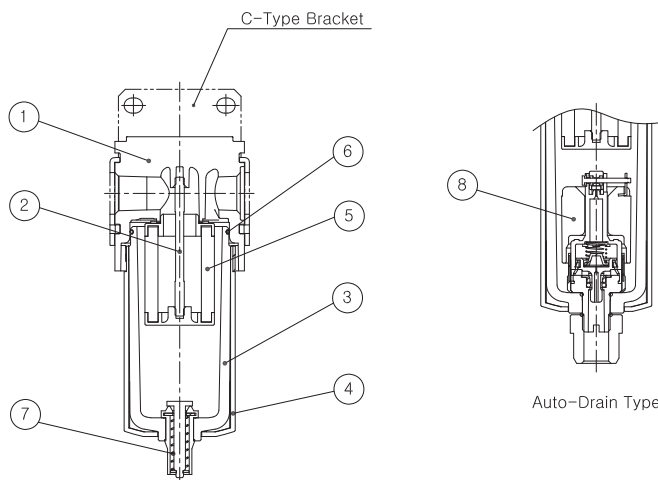
Main Parts / Parts List

No.	Description	Material	Remarks
①	Body	Aluminum	
②	Bowl	Polycarbonate	
③	Bowl guard	Nylon	
④	Fitting	-	
⑤	Manual drain piping ass'y	-	

Replacement Parts / Parts List

No.	Description	Material	Part No.
⑥	Coalescing filter element ass'y	-	PFH2-24A030-01
⑦	Bowl o-ring	NBR	DX2R-53-3000
⑧	Auto drain ass'y	-	PF2-26A002-01

PFH3 Construction



Main Parts / Parts List

No.	Description	Material	Remarks
①	Body	Aluminum	
②	Baffle shaft	Rolled steel	
③	Bowl	Polycarbonate	
④	Bowl guard	Nylon	

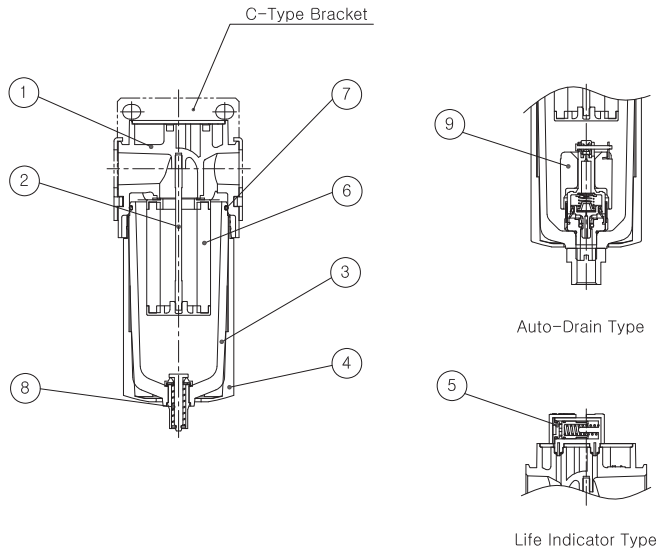
Replacement Parts / Parts List

No.	Description	Material	Part No.
⑤	Coalescing filter element ass'y	-	PFH3000-005A-6081
⑥	Bowl o-ring	NBR	PL3-04-001-01
⑦	Drain ass'y	-	TAF3000-10A-6004
⑧	Auto drain ass'y	-	TAF3000-04A-6008

PFH2~PFH5 Series

Coalescing Filter 1/8", 1/4", 3/8", 1/2", 3/4" and 1"

PFH4 Construction



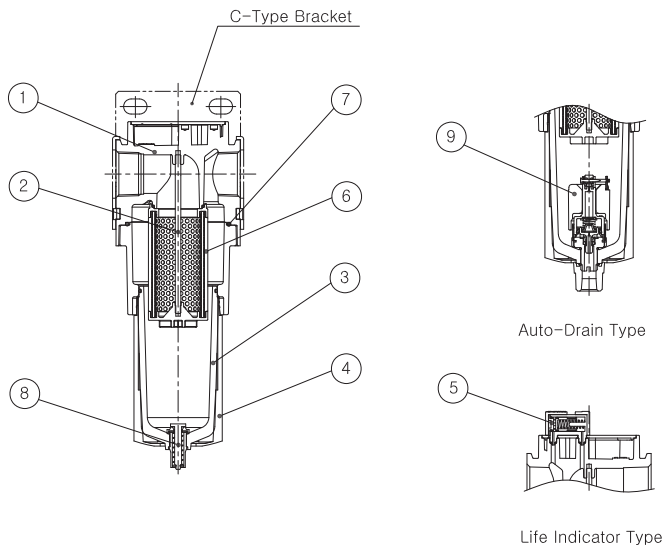
Main Parts / Parts List

No.	Description	Material	Remarks
①	Body	Aluminum	
②	Baffle shaft	Rolled steel	
③	Bowl	Polycarbonate	
④	Bowl guard	Nylon	
⑤	Life indicator	-	Option

Replacement Parts / Parts List

No.	Description	Material	Part No.
⑥	Coalescing filter element ass'y	-	PFH4000-005A-6083
⑦	Bowl o-ring	NBR	TAF4000-08-6000
⑧	Drain ass'y	-	TAF3000-10A-6004
⑨	Auto drain ass'y	-	TAF3000-04A-6008

PFH5 Construction



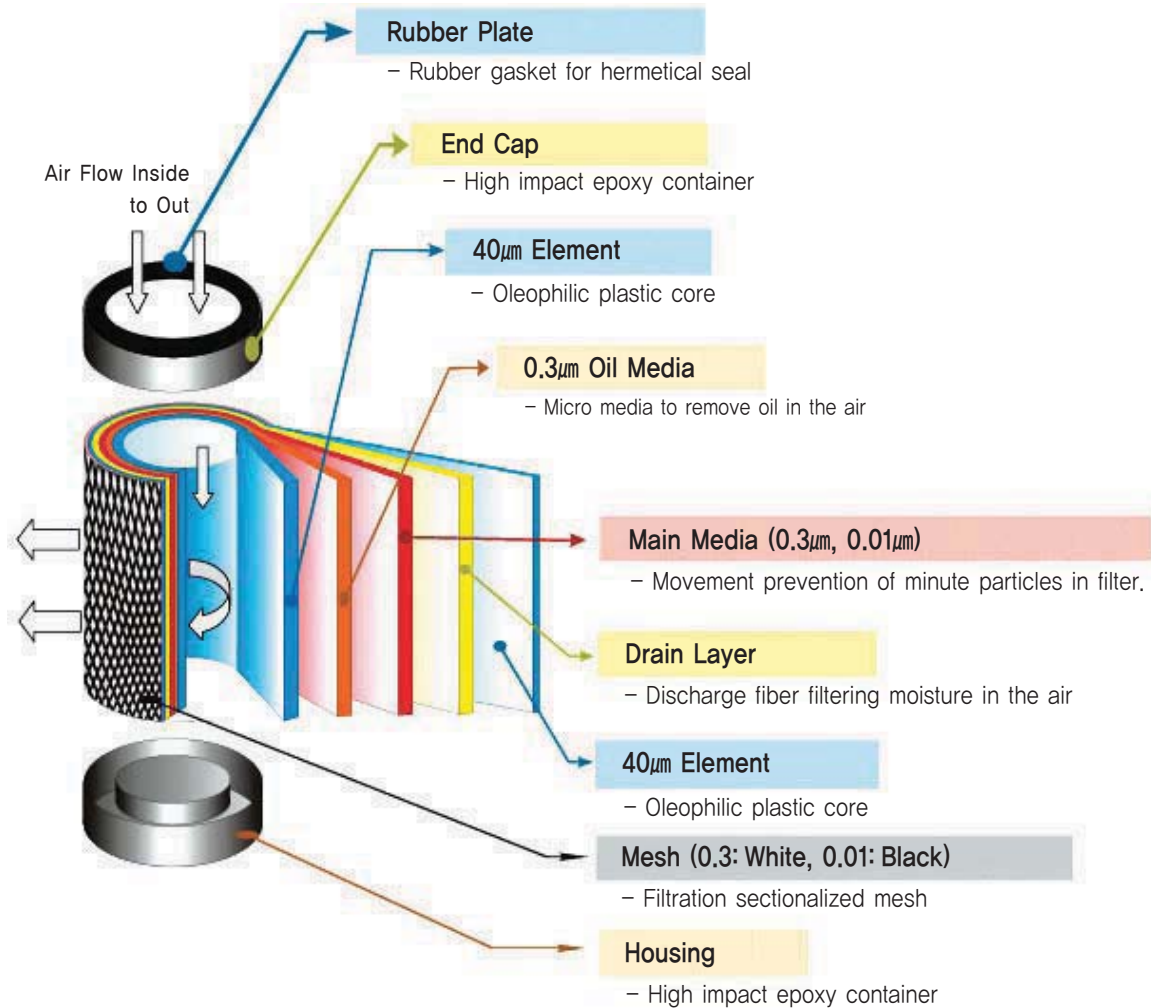
Main Parts / Parts List

No.	Description	Material	Remarks
①	Body	Aluminum	
②	Baffle shaft	Rolled steel	
③	Bowl	Polycarbonate	
④	Bowl guard	Nylon	
⑤	Life indicator	-	Option

Replacement Parts / Parts List

No.	Description	Material	Part No.
⑥	Coalescing filter element ass'y	-	PFH5-24A030-01
⑦	Bowl o-ring	NBR	TAF4000-08-6000
⑧	Drain ass'y	-	TAF3000-10A-6004
⑨	Auto drain ass'y	-	TAF3000-04A-6008

Construction of Coalescing Filter Element



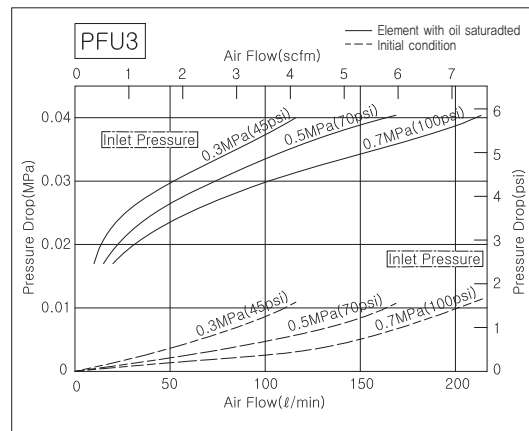
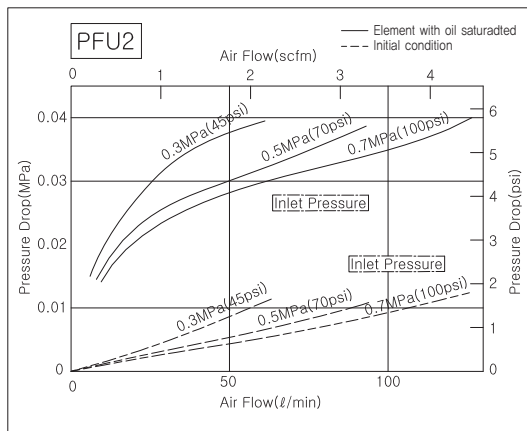
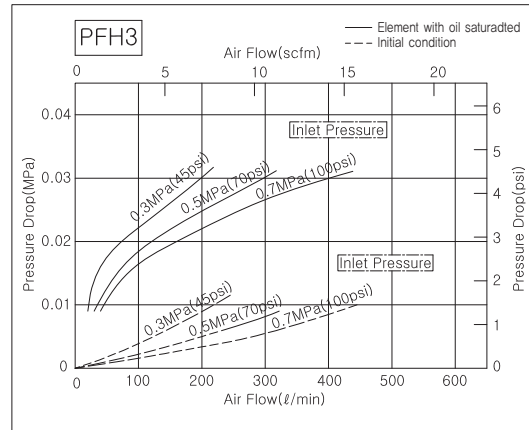
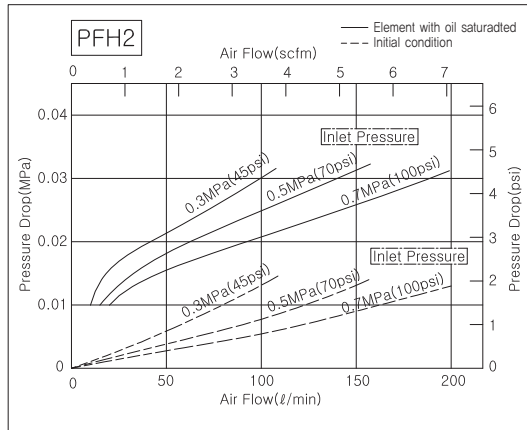
Media Characteristics

NO	Grade	D.O.P. efficiency 0.3 to 0.6µm	Oil content	Color
1	0.01 µm	99.99%	0.01ppm	White
2	0.3 µm	99.97%	0.05ppm	Black

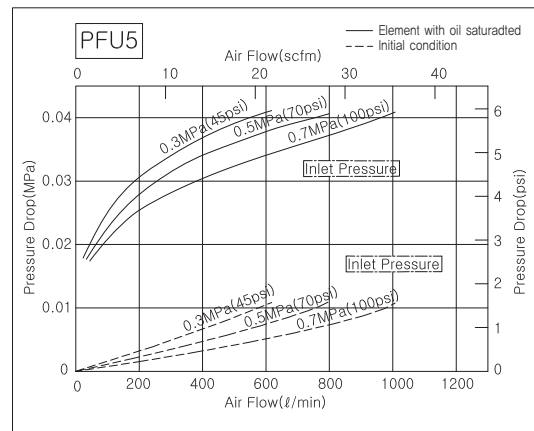
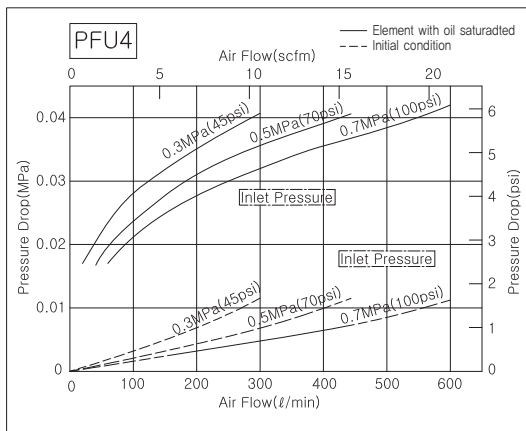
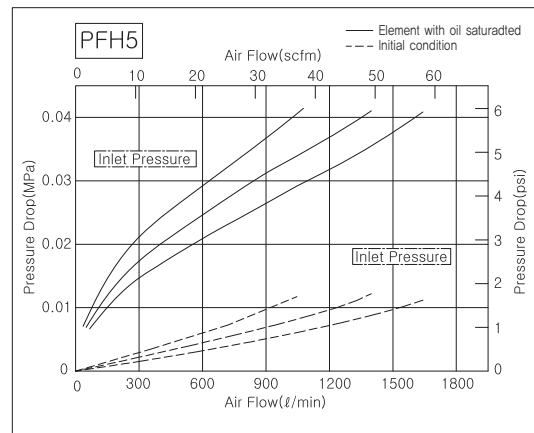
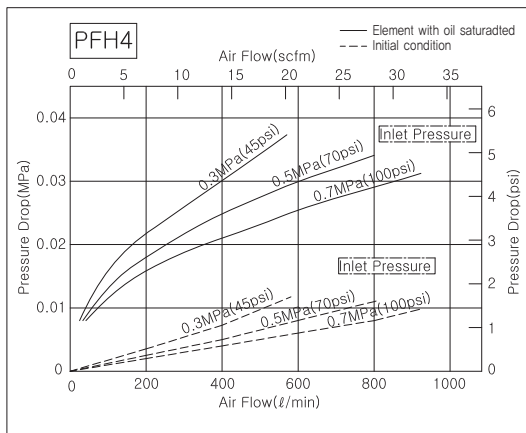
PFH2~PFH5 Series

Coalescing Filter 1/8", 1/4", 3/8", 1/2", 3/4" and 1"

Flow Characteristics



Flow Characteristics



Calescing Filter