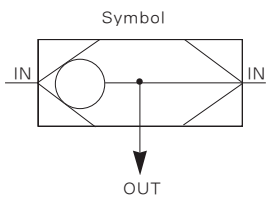


OR Valve (Shuttle Valve) Series DT220/UDT220



- 3 Ported check valve with one output and 2 pneumatic signal input ports.
- Output always supplied by high pressure Inlet

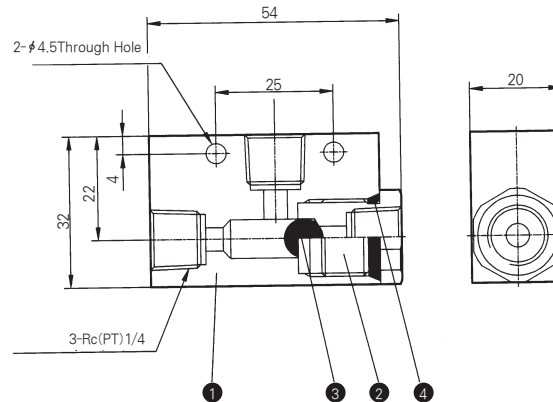
< Symbol >



Model / Specifications

Model	DT 220-02
Port Size Rc(PT), NPT	1/4
Max. Operating Pressure	9.9 kgf/cm ² (140.8psi)
Min. Pressure Differential	0.5 kgf/cm ² (7.1psi)
Ambient and Fluid Temperature	0~60°C(21~140°F)
Effective Area mm ² (Cv)	19(1.0)

Construction / Dimensions



How to Order

U DT220-02

1

1 Series

Blank : Rc(PT)1/4
U : NPT1/4

2

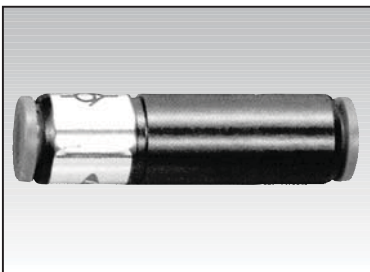
2 Port Size

02 : 1/4

Component Parts

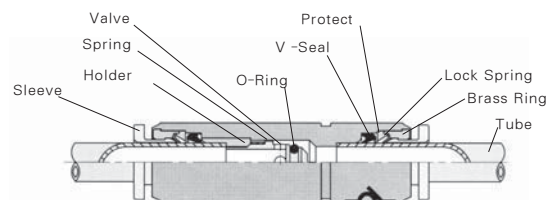
No.	Description	Material	Notes
1	Body	Aluminum Alloy	
2	Bush	Carbon Steel	
3	Ball	N.B.R	
4	Gasket	N.B.R	

Check Valve Series DC



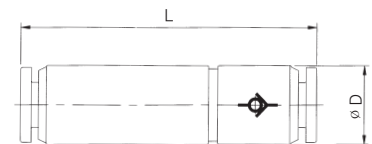
- The Check Valve permits the air flow in one direction but check the flow in the opposite direction, thus keeping the output Pressure at a constant level.

Structures



Dimensions

DC Type



Specifications

Fluid Admitted	Air, Vacuum
Working Pressure	0.2~9.9kgf/cm ² (2.84~140.8psi)
Temperature Range	0~60°C(32~140°F)

Unit: mm

Model	Tube size	L	D
DC-04	4	38.7	10.6
DC-06	6	44.5	12.6
DC-08	8	48.5	14.6

DS3000

DS5000

DP300/
3000/5000

DS6000

DS3000
(Base Ported)

DX1,2

DX2R

DH

DW

DM

DT220/
UDT220/DC

TPC-1000
/1200

PC

PF

PR

PL

PP

PFH/
PFU

PLV

TXF

PVR/PNR

PER2000
/3000

TAD

EP

EM/EL

SPSA

SPS

SQ

SC

SP

SP4000
/SPM

SP2000

SN

SQ2

SH

DCH

SF

ST

W1

W2/W3

W4/W5

W6/W7
Mini
Auto Switch