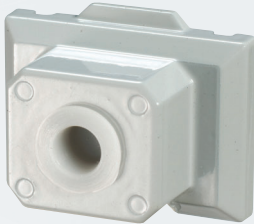


Modular Pipe Adapter

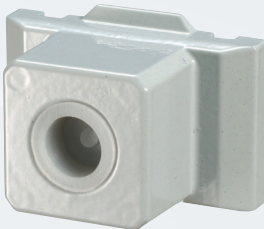
Standard Specifications

Specifications	PA2	PA3	PA4	PA5
Port size	1/8", 1/4"	1/4", 3/8"	3/8", 1/2"	3/4", 1"
Rc(PT), NPT, G(PF)	3/8"	1/2"	3/4"	
Weight (kg)	0.03(0.07lb)	0.04(0.09lb)	0.07(0.15lb)	0.13(0.29lb)

□ PA2



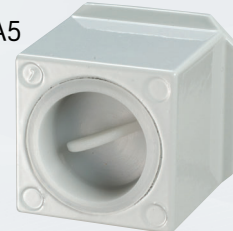
□ PA3



□ PA4



□ PA5



How to order

PA 3 — * 02 — R

Series
(Pipe Adapter)

Type of series

2	PC2 Series
3	PC3 Series
4	PC4 Series
5	PC5 Series

Thread

Blank	Rc(PT)
N	NPT
G	G(PF)

Options

Blank	for left side	PC2,3,4,5 Series
R	for right side	PC2,3 Series

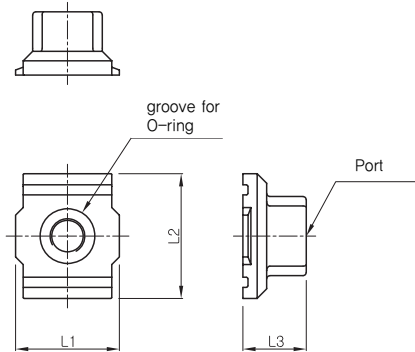
*PC4 & PC5: C compatible with both right and left side.

Port size

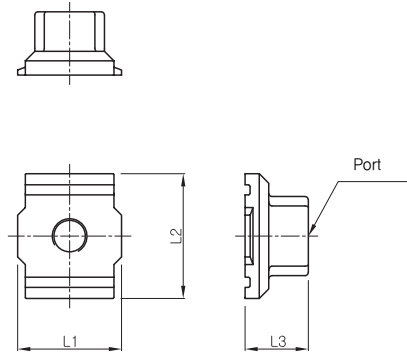
01	1/8	PC2 Series
02	1/4	PC2, 3 Series
03	3/8	PC2, 3, 4 Series
04	1/2	PC3, 4 Series
06	3/4	PC4, 5 Series
10	1	PC5 Series

■ PA2, 3 Dimensions

(For left side)



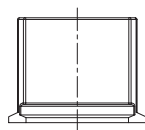
(For right side)



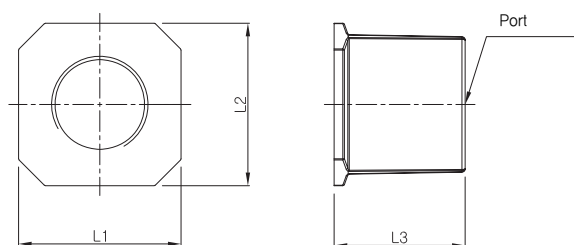
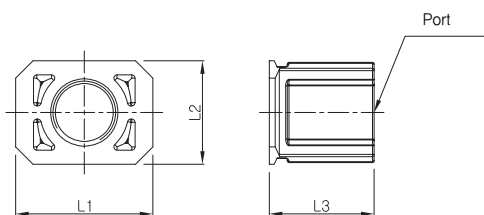
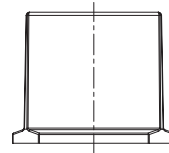
Series	Main dimensions			
	Port size Rc(PT),NPT,G(PF)	L1	L2	L3
PA2	1/8, 1/4, 3/8	32.8 (1.29)	39.4 (1.55)	20 (0.79)
PA3	1/4, 3/8, 1/2	33 (1.3)	45 (1.77)	25 (0.98)

■ PA4, 5 Dimensions

(PA4)



(PA5)



Series	Main dimensions			
	Port size Rc(PT),NPT,G(PF)	L1	L2	L3
PA4	3/8, 1/2, 3/4	41.9 (1.65)	31.6 (1.24)	32 (1.26)
PA5	3/4, 1	49.6 (1.95)	49.6 (1.95)	40 (1.57)