

Modular Manifold Block

□ MB2



■ Standard Specifications

Specifications	MB2	MB3	MB4
Port size Rc(PT), NPT, G(PF)	1/4"	1/4", 3/8"	3/8", 1/2"
Top port size Rc(PT), NPT, G(PF)	1/8", 1/4"	1/8", 1/4"	1/4", 3/8"
Weight (kg)	0.09(0.2lb)	0.14(0.31lb)	0.17(0.37lb)

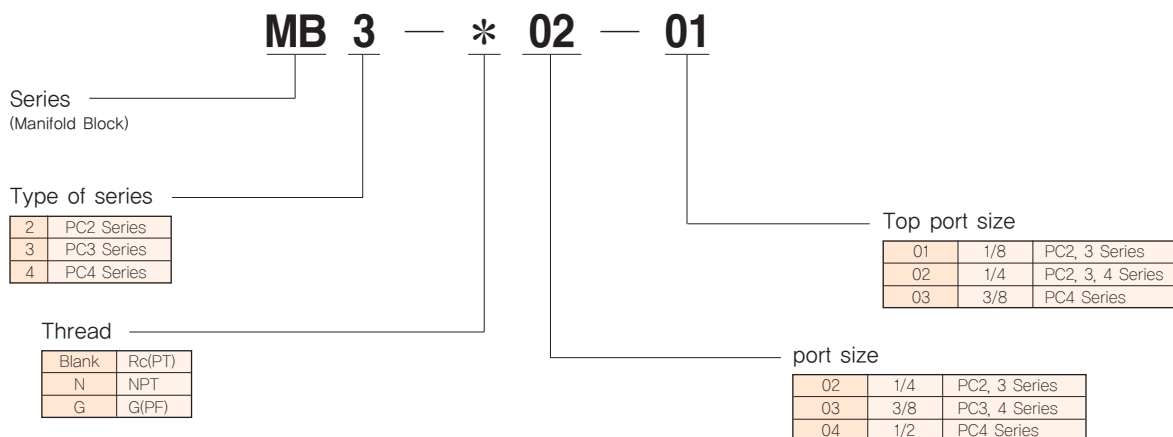
□ MB3



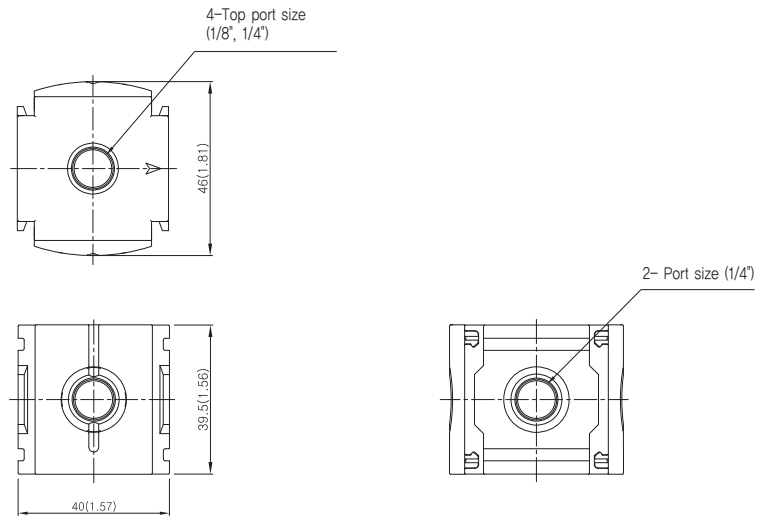
□ MB4



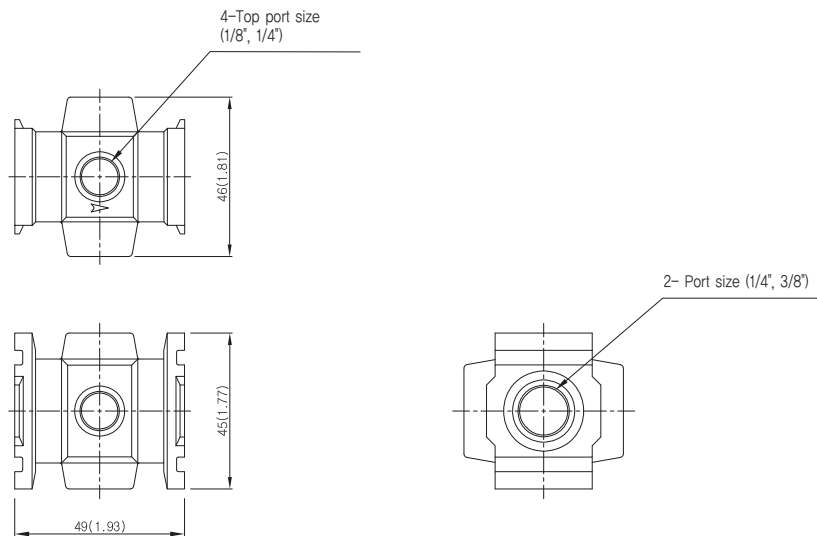
■ How to order



■ **MB2 Dimensions**



■ **MB3 Dimensions**



■ **MB4 Dimensions**

