

# Modular Check Valve

The modular check valve is used to prevent downstream pressure loss. Acting as a one-way directional flow valve, this device is generally installed downstream of the regulator.

□ PCV2



□ PCV4



□ PCV3



## ■ Standard Specifications

Specifications	PCV2	PCV3	PCV4
Port size (no threads)	1/4" Hole	3/8" Hole	1/2" Hole
Top port size Rc(PT), NPT, G(PF)	1/8", 1/4"	1/8", 1/4"	1/4", 3/8"
Max. flow capacity (N l /min)	1,200 (42scfm)	3,500 (124scfm)	5,000 (177scfm)
Weight (kg)	0.01(0.02lb)	0.23(0.51lb)	0.43(0.95lb)

## ■ How to order

**PCV 4 — 04 — \* 03 B**

Series (Check V/V) — PCV

Type of series — 4

2	PC2 Series
3	PC3 Series
4	PC4 Series

Port size — 04

02	1/4	PC2 Series
03	3/8	PC3 Series
04	1/2	PC4 Series

Thread — \*

Blank	Rc(PT)
N	NPT
G	G(PF)

Options — B

Blank	None
B	Clamp spacer kit
R	Flow direction : Right → Left

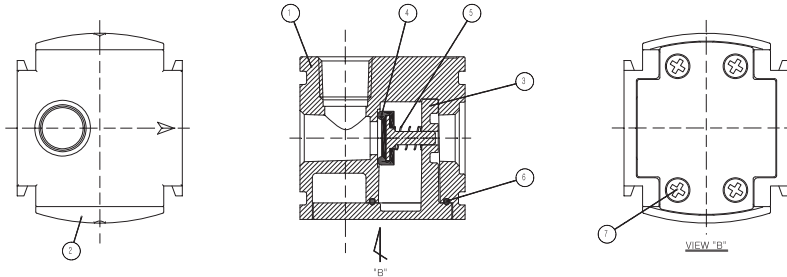
Note1)

Top port size — 03

01	1/8	PC2, 3 Series
02	1/4	PC2, 3, 4 Series
03	3/8	PC4 Series

Note2) Separately packed, Not assembled.

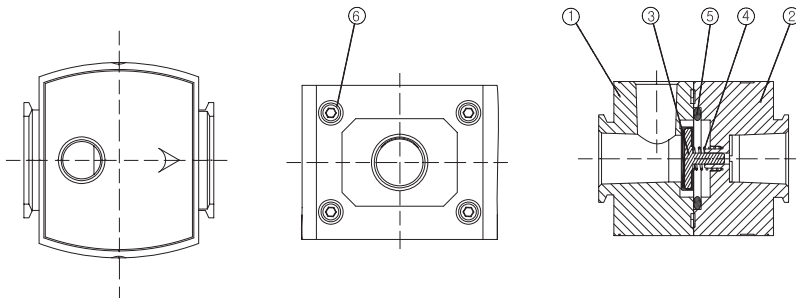
### PCV2 Construction



Main part list

No.	Description	Material	Remarks
①	Body	Aluminum	
②	F-body cover	Nylon	
③	Body cover	Aluminum	
④	Valve assembly	Brass+NBR	
⑤	Spring	Stainless steel	
⑥	Gasket of body cover	NBR	
⑦	Bolt of cover	Rolled steel	

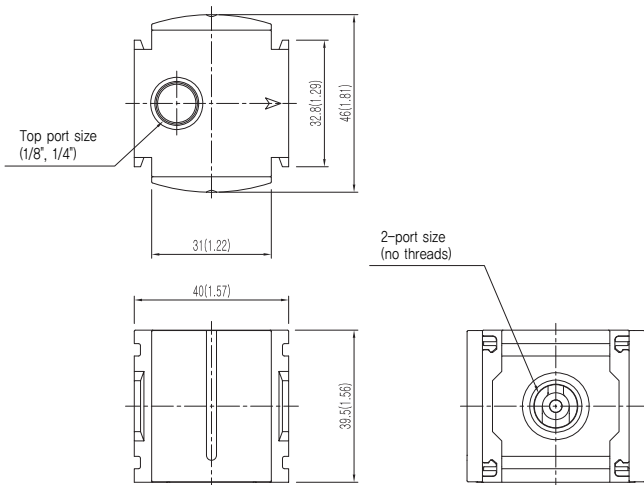
### PCV3, 4 Construction



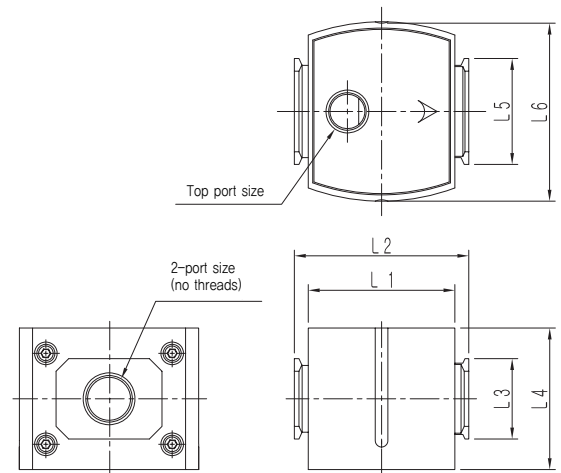
Main part list

No.	Description	Material	Remarks
①	Body R	Aluminum	
②	Body L	Aluminum	
③	Valve assembly	Brass+NBR	
④	Return spring	Stainless steel	
⑤	Gasket	NBR	
⑥	Wrench bolt	Rolled steel	

### PCV2 Dimensions



### PCV3, 4 Dimensions



Series	Main dimensions						Remarks	
	port size (no threads)	Top port size R(PT),NPT,G(PF)	L 1	L 2	L 3	L 4		L 5
PCV3	3/8"	1/8, 1/4	46 (1.81)	56 (2.2)	45 (1.77)	49 (1.93)	33 (1.3)	56 (2.2)
PCV4	1/2"	1/4, 3/8	58 (2.28)	69 (2.72)	31.8 (1.25)	56 (2.2)	41.9 (1.65)	71 (2.8)