

Accessories

C-Bracket unit



□ PC2



□ PC3



□ PC4



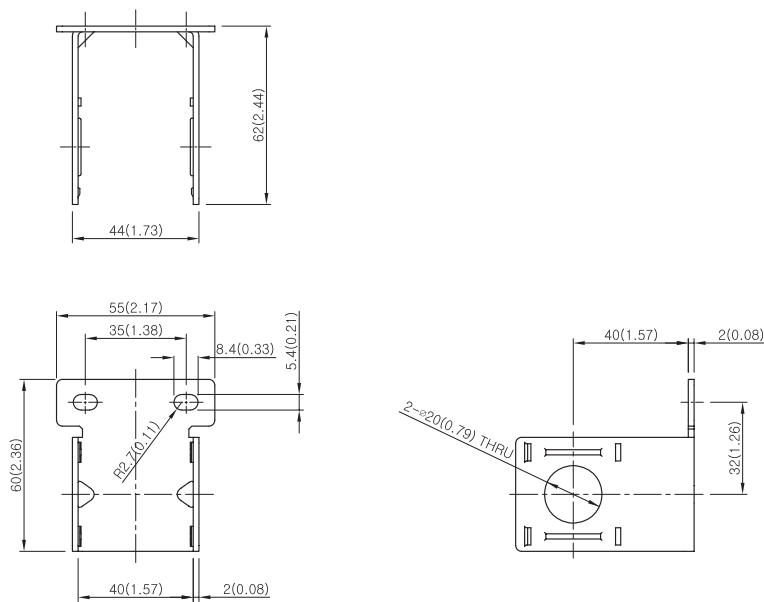
□ PC5

Standard Specifications

Specifications	PC2	PC3	PC4	PC5
Item number	PF2-33-001-01	PF3-33-001-01	PF4-33-001-01	PF5-33-001-01
Material	Rolled steel	Rolled steel	Rolled steel	Rolled steel

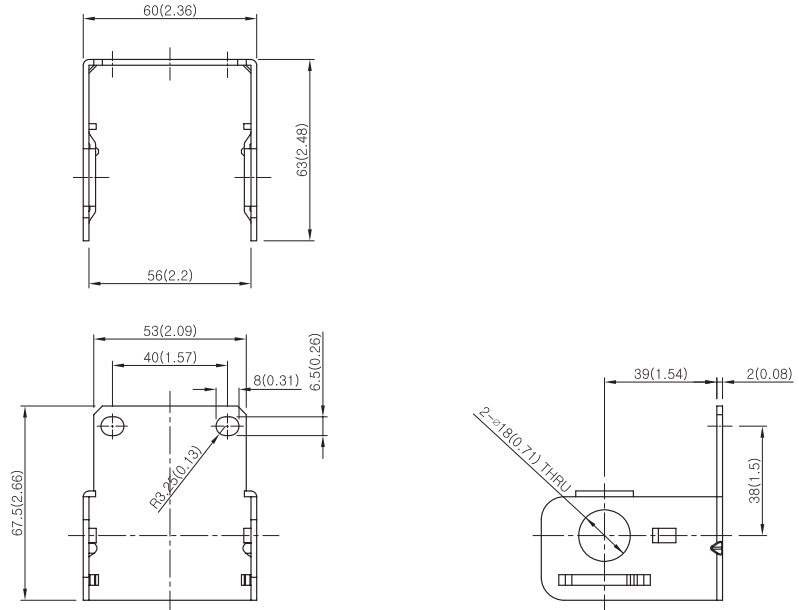
Dimensions

<PC2>

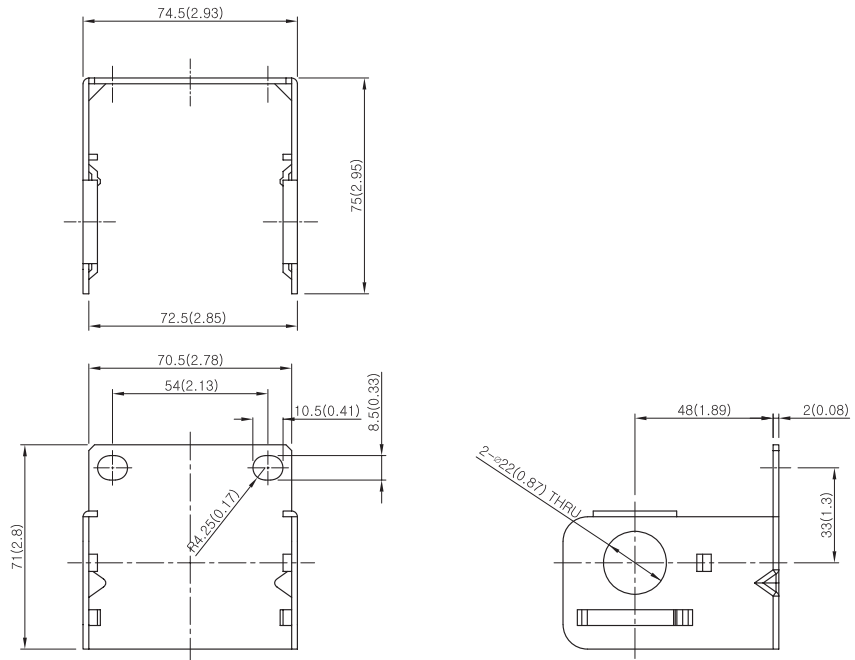


■ Dimensions

<PC3>



<PC4>



Accessories

C-Bracket unit

■ Dimensions

<PC5>

